



**sensor** PRO

# LIGHT STRONG **PROTECTED**

Safety light curtains and light grids for protecting access to hazardous safety areas on machines + plants.



# CUSTOMIZED PROTECTION FOR THE EFFICIENT MACHINE OPERATION.

Wieland is your expert and reliable partner for safe solutions. For over 40 years, we have been offering customized concepts for machine safety with our safety solutions and safety products.

Particularly in the case of frequent interventions in the production process, machines must be maximally safe. Optoelectronic protective devices are ideally suited for this purpose. They protect danger zones and machine entrances efficiently and ergonomically. The light curtains and light grids from Wieland Electric combines a slim and robust design with maximum reliability and functionality for the safety of your machines.

## AS A SOLUTION FOR ...

- + FINGER PROTECTION
- + HAND PROTECTION
- + PERSONAL PROTECTION

## SPECIAL FEATURES

- + Approved M12 connection technology with up to 100 m cable length
- + Sturdy metal housing with integrated slot mounting
- + Configuration via wiring
- + Integrated laser alignment



# SENSOR PRO SLC LIGHT CURTAIN

Easy + fast + reliable

Our high-quality sensor PRO SLC light curtains meet all requirements for finger, hand and body protection and also reliably protect machine operation. In combination with our configurable samos® PRO COMPACT safety controller, sensor PRO SLC offers safe all-round protection.



## FEATURES

- + Safety light curtain AOPD type 4
- + Beam resolution 14, 20, 30 + 40 mm
- + Protection field heights 300 – 1800 mm

## HIGHER EQUIPMENT AVAILABILITY

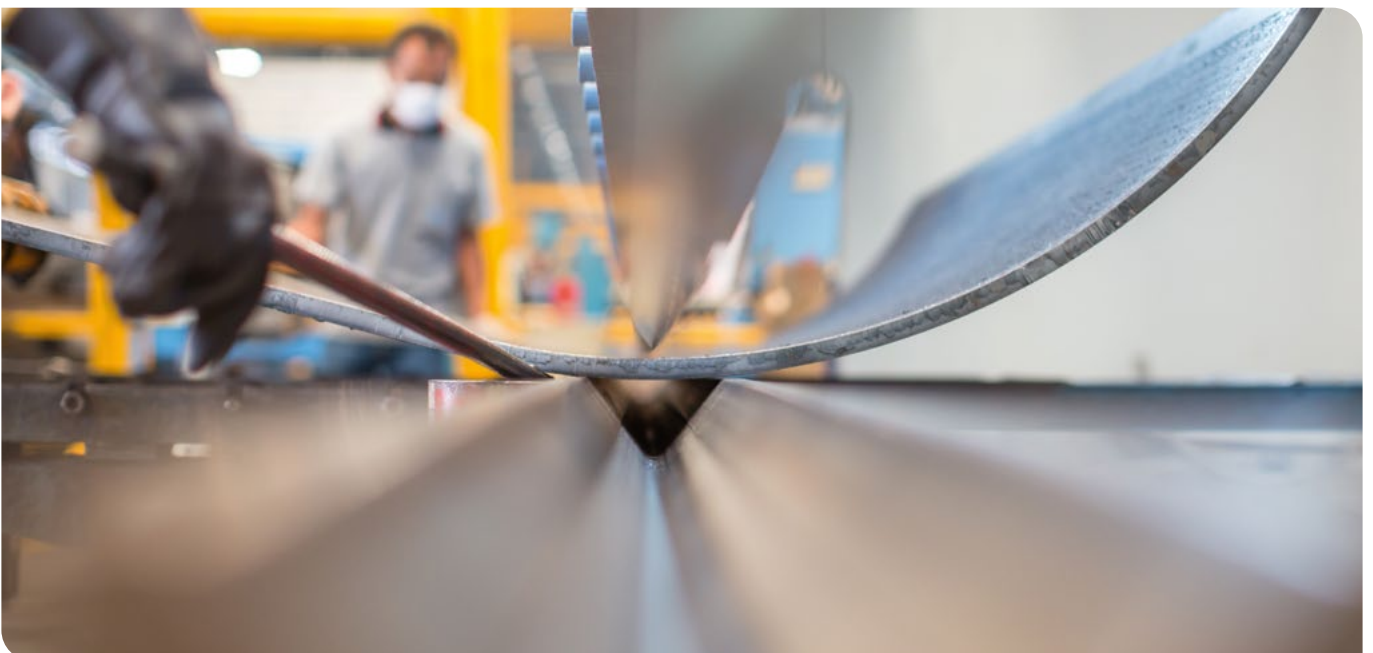
---

- Easy adjustment and stable operation through slim and rigid housing
- Parameterization without PC or DIP switch through simple wiring in the control cabinet
- The integrated Double-Scan technology avoids unwanted shutdown even in harsh operating conditions
- Clear diagnostic and status messages in the 7-segment display ensure shorter downtimes
- Cable lengths up to 100 m with unshielded connection cables ensure greater operational flexibility and reduced costs even under difficult EMC conditions

## FASTER DURING COMMISSIONING + SERVICE

---

- The 3-zone alignment indicator reduces assembly time and simplifies adjustment
- The wide range of SLC products permits optimal and cost-effective design of protective devices
- Easy to connect via standard M12 connection technology
- Fast installation and removal on the machine through a system configuration in the control cabinet
- Selectable transmission channels and range reduction prevent mutual interference
- Simplified planning of safeguards because every SLC safety light curtain from 0 m to the maximum range can be implemented



# SENSOR PRO SLC

## MATCHING FUNCTIONS FOR EVERY PROTECTION TASK

All important contactless safety functions on machines and equipment can be realized by means of the two function versions, Standard and Professional of the SLC series.

### SLC STANDARD

- LED display
- Range reduction
- Selectable transmission channels
- Automatic start

### SLC PROFESSIONAL

- LED display
- Range reduction
- Selectable transmission channels
- Automatic start
- 7-segment display
- Beam blanking
- Muting function
- Device linking
- Variable scan modes
- Manual start / restart interlock



## SLC PROFESSIONAL – MORE FUNCTIONALITY

- Programmable beam blanking and reduced resolution
- Integrated muting function for transportation of material through a protection zone
- Device linking for the connection of further safety outputs
- Variable scan-modes for uninterrupted operation, even in the case of hurtling chips

## SAMOS® PRO COMPACT – COMPACT SAFETY

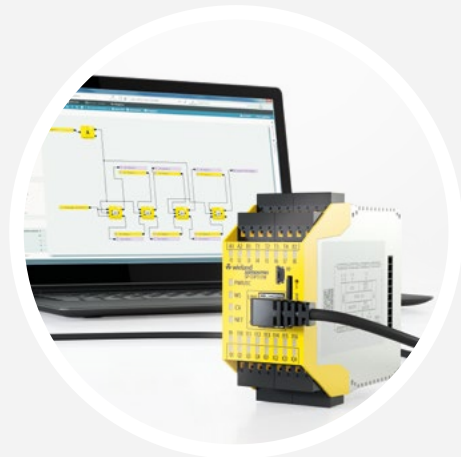
Find out more about our innovative safety controller for easy automation of presses and control of our sensorPRO SLC light curtain series.



### SAMOS® PRO COMPACT

Safety controllers for machines + plants

Part No. 0881.1



# SENSOR PRO SLC APPLICATIONS

---

## PRESS BRAKE

---

Blanking for objects that remain permanently in the protective field (e.g. work table) and reduced resolution for material feed.



## PUNCHING PRESS

---

Beam blanking ("fixed blanking") with or without tolerance for tool change and material transport.



## PICK & PLACE ROBOT APPLICATION

---

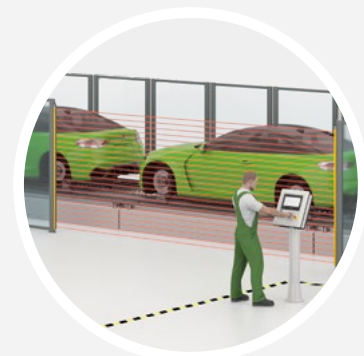
Protection when reaching into the danger zone of the Pick & Place station by means of SLC safety light curtain.



## TRANSFER LINE

---

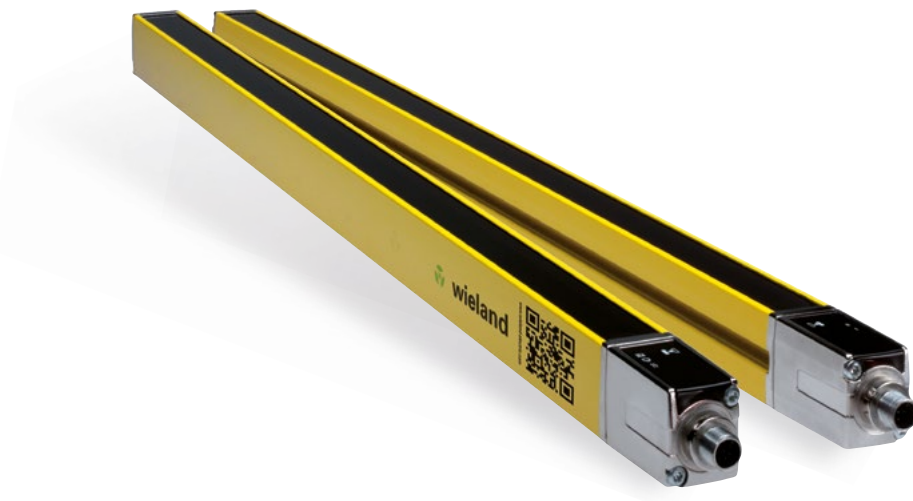
Access guarding on a transfer line.



# SERIES SLC | TECHNICAL DATA

## SAFETY LIGHT CURTAIN

TECHNICAL DATA		
Function		safety light curtain
Function display		LED
<b>Power supply circuit</b>		
Rated voltage $U_N$		24 V DC
Current consumption (transmitter)		50 mA
Current consumption, no load (receiver/transceiver)		150 mA
Operating voltage range $U_B$		0.8 - 1.2 x $U_N$
Electrical isolation supply circuit - control circuit		no
<b>Protection field data</b>		
	Resolution	Range / protective field height
	14 mm	0 - 6 m / 300 - 1800 mm
	20 mm	0 - 15 m / 300 - 1800 mm
	30 mm	0 - 10 m / 300 - 1800 mm
	40 mm	0 - 20 m / 300 - 1800 mm
<b>Output circuit OSSD</b>		
Number		2
Type		Transistor outputs PNP
Short circuit and cross circuit monitoring		yes
Switching current (max., per output)		380 mA
Leakage current (max.)		200 $\mu$ A
Switching voltage, high active ( $U_B - 1V$ )		18.0 - 27.0 V
Switching voltage, low		0 - 2,5 V
Line resistance / line length		< 200 $\Omega$ / $\leq$ 100 m
Response time		4 - 39 ms, device-dependent
<b>Safety Related Data</b>		
PL (EN ISO 13849-1)		up to PL e
Category (EN ISO 13849-1)		up to category 4
SIL (IEC 61508)		up to SIL 3
SIL <sub>CL</sub> (EN IEC 62061)		up to SIL <sub>CL</sub> 3
Type (EN IEC 61496)		Type 4
$B_{10D}$		NA
PFH <sub>D</sub>		7,73 x 10 <sup>-9</sup> 1/h
$T_M$		20 years
<b>General data</b>		
Creepage distances and clearances between the circuits		EN 60664-1
Protection degree according to EN 60529		IP65
Ambient temperature / storage temperature		-30 °C - +55 °C / -30 °C - + 70 °C
Connection		M12, 5-pole (Transmitter) M12, 8-pole (Receiver)
Weight		0.3 - 1.95 kg, device-dependent
Standards		EN 61496, EN ISO 13849-1, EN 62061
Approvals		TÜV, c-CSA-us





# SERIES SLC 4 | DEVICE OVERVIEW

## SAFETY LIGHT CURTAIN



### TRANSMITTER

Protective field height hhhh [mm]	Resolution	14 mm	20 mm	30 mm	40 mm
	Type	SLC-4TR14-hhhh	SLC-4TR20-hhhh	SLC-4TR30-hhhh	SLC-4TR40-hhhh
0300		R1.541.0300.0	R1.542.0300.0	R1.543.0300.0	R1.544.0300.0
0450		R1.541.0450.0	R1.542.0450.0	R1.543.0450.0	R1.544.0450.0
0600		R1.541.0600.0	R1.542.0600.0	R1.543.0600.0	R1.544.0600.0
0750		R1.541.0750.0	R1.542.0750.0	R1.543.0750.0	R1.544.0750.0
0900		R1.541.0900.0	R1.542.0900.0	R1.543.0900.0	R1.544.0900.0
1050		R1.541.1050.0	R1.542.1050.0	R1.543.1050.0	R1.544.1050.0
1200		R1.541.1200.0	R1.542.1200.0	R1.543.1200.0	R1.544.1200.0
1350		R1.541.1350.0	R1.542.1350.0	R1.543.1350.0	R1.544.1350.0
1500		R1.541.1500.0	R1.542.1500.0	R1.543.1500.0	R1.544.1500.0
1650		R1.541.1650.0	R1.542.1650.0	R1.543.1650.0	R1.544.1650.0
1800		R1.541.1800.0	R1.542.1800.0	R1.543.1800.0	R1.544.1800.0

### RECEIVER STANDARD

Protective field height hhhh [mm]	Resolution	14 mm	20 mm	30 mm	40 mm
	Type	SLC-4ST14-hhhh	SLC-4ST20-hhhh	SLC-4ST30-hhhh	SLC-4ST40-hhhh
0300		R1.551.0300.0	R1.552.0300.0	R1.553.0300.0	R1.554.0300.0
0450		R1.551.0450.0	R1.552.0450.0	R1.553.0450.0	R1.554.0450.0
0600		R1.551.0600.0	R1.552.0600.0	R1.553.0600.0	R1.554.0600.0
0750		R1.551.0750.0	R1.552.0750.0	R1.553.0750.0	R1.554.0750.0
0900		R1.551.0900.0	R1.552.0900.0	R1.553.0900.0	R1.554.0900.0
1050		R1.551.1050.0	R1.552.1050.0	R1.553.1050.0	R1.554.1050.0
1200		R1.551.1200.0	R1.552.1200.0	R1.553.1200.0	R1.554.1200.0
1350		R1.551.1350.0	R1.552.1350.0	R1.553.1350.0	R1.554.1350.0
1500		R1.551.1500.0	R1.552.1500.0	R1.553.1500.0	R1.554.1500.0
1650		R1.551.1650.0	R1.552.1650.0	R1.553.1650.0	R1.554.1650.0
1800		R1.551.1800.0	R1.552.1800.0	R1.553.1800.0	R1.554.1800.0

### RECEIVER PROFESSIONAL

Protective field height hhhh [mm]	Resolution	14 mm	20 mm	30 mm	40 mm
	Type	SLC-4PR14-hhhh	SLC-4PR20-hhhh	SLC-4PR30-hhhh	SLC-4PR40-hhhh
0300		R1.571.0300.0	R1.572.0300.0	R1.573.0300.0	R1.574.0300.0
0450		R1.571.0450.0	R1.572.0450.0	R1.573.0450.0	R1.574.0450.0
0600		R1.571.0600.0	R1.572.0600.0	R1.573.0600.0	R1.574.0600.0
0750		R1.571.0750.0	R1.572.0750.0	R1.573.0750.0	R1.574.0750.0
0900		R1.571.0900.0	R1.572.0900.0	R1.573.0900.0	R1.574.0900.0
1050		R1.571.1050.0	R1.572.1050.0	R1.573.1050.0	R1.574.1050.0
1200		R1.571.1200.0	R1.572.1200.0	R1.573.1200.0	R1.574.1200.0
1350		R1.571.1350.0	R1.572.1350.0	R1.573.1350.0	R1.574.1350.0
1500		R1.571.1500.0	R1.572.1500.0	R1.573.1500.0	R1.574.1500.0
1650		R1.571.1650.0	R1.572.1650.0	R1.573.1650.0	R1.574.1650.0
1800		R1.571.1800.0	R1.572.1800.0	R1.573.1800.0	R1.574.1800.0

# SENSOR PRO SLD LIGHT GRID

Strong + Innovative + Economic

Our high-performance light grids ensure safety and efficiency in the workplace. sensor PRO SLD provide reliable personal protection in the hazardous area of machines and plants.



## FEATURES

- + Safety light grid AOPD Type 4
- + 2, 3 and 4 beam resolutions
- + High ranges up to 70 m can be implemented
- + Available as transmitter-receiver or transceiver systems

## INCREASED RELIABILITY

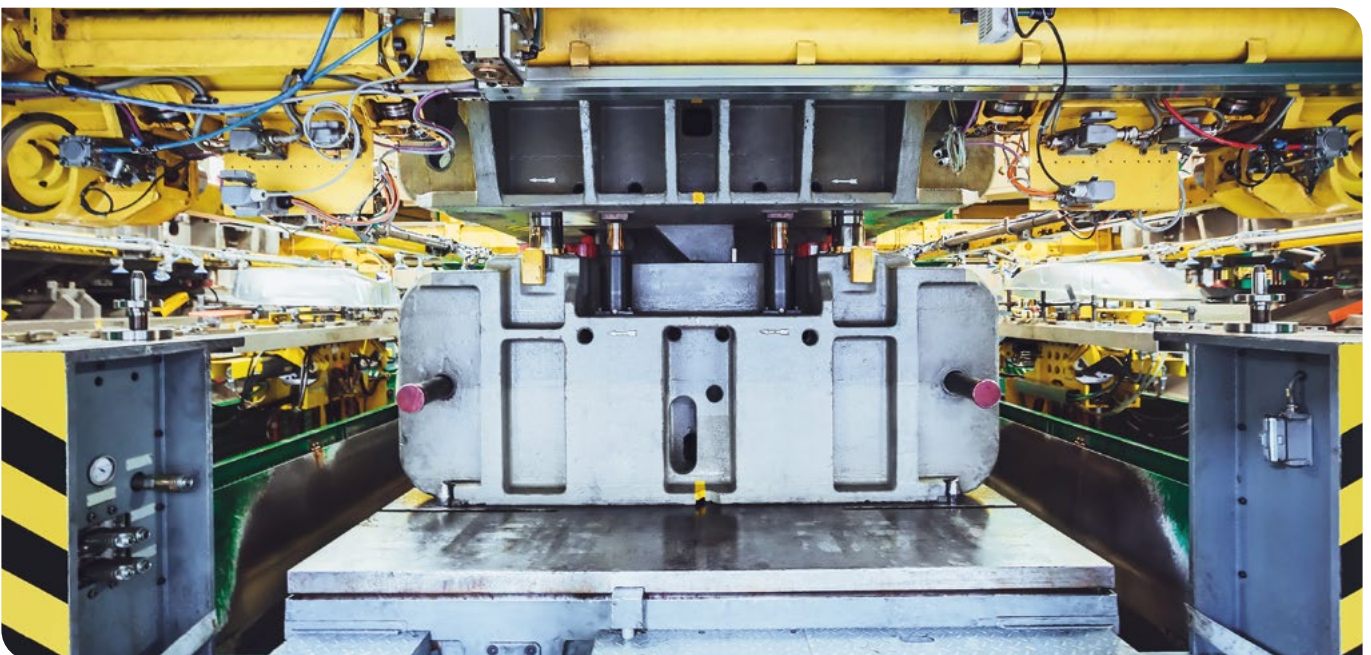
---

- Robust aluminum housing in IP67
- Operating temperature range -30 °C to +55 °C permits implementation even in the harshest environments
- Multi-beam scanning avoids unwanted terminations
- Mutual interference is avoided through the adjustable range reduction when implementing multiple systems
- Robust device columns with spring-loaded base mounting and integrated alignment aid are available for the free-standing implementation

## FASTER DURING COMMISSIONING, OPERATION + SERVICE

---

- The integrated laser alignment aid (optional) permits precise mounting and reduces the startup times of the SLD system
- Parameterization without PC or DIP switch through simple wiring in the control cabinet
- Easy installation and diagnosis with the help of the 7-segment display
- Clearly visible status and muting indicators Enable remote diagnostics
- Plug & Play due to M12 connection technology

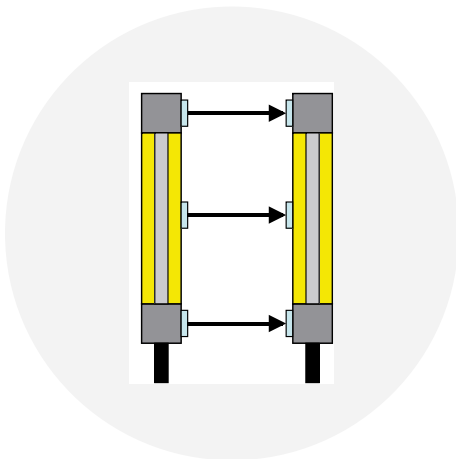


# SENSOR PRO SLD

## INTEGRATED MUTING

Decentralized security function on-board

- Optional time- or sequence-controlled 2- or 4-sensor muting
- Partial muting (the highest light beam stays active)
- Integrated muting/status indicator light



## SLD STANDARD – THE STRONG SAFETY LIGHT GRID

The safety light grid SLD Standard each consist of a transmitter and a receiver unit and are thus suitable for highest ranges.

### SLD STANDARD

- LED display
- Multi-scan technology
- Range reduction
- Laser alignment aid (optional)
- Automatic start

## SLD UNIVERSAL – THE INNOVATIVE SAFETY LIGHT GRID

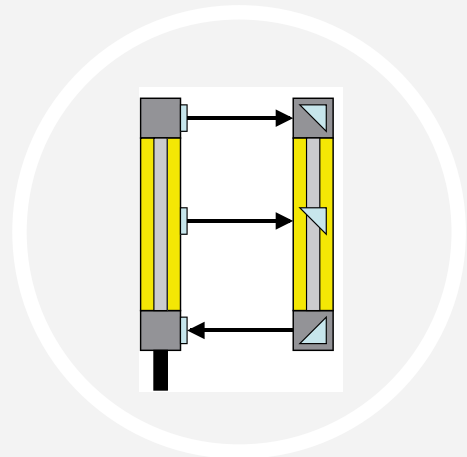
The safety light grids consist of an integrated SLD universal transmitter/receiver unit and a passive reflector unit without electrical connection.

### SLD UNIVERSAL STANDARD

- Transceiver system
- LED display
- Multi-scan technology
- Automatic start

### SLD UNIVERSAL PROFESSIONAL

- Transceiver system
- LED display
- Multi-scan technology
- Manual start / restart interlock
- External device monitoring (EDM)
- 7-segment display
- Muting function / Muting lamp integrated



# SENSOR PRO SLD APPLICATIONS

---

## PACKAGING MACHINE

---

Sequential 2-sensor-muting for exits of the danger zone.



## SHEET METAL PROCESSING MACHINE

---

Multi-sided safeguarding of a sheet metal processing machine by SLD safety light grids and SLD deflection mirrors.



## PACKAGING MACHINE

---

Safety light grids SLD Professional with timecontrolled 2-sensormuting at a packaging machine.



## PACKAGING MACHINE

---

Operation guarding on palletizer systems with safety light grids SLD.



# SERIES SLD | TECHNICAL DATA

## SAFETY LIGHT GRIDS

TECHNICAL DATA		
Function		safety light grid
Function display		LED
<b>Power supply circuit</b>		
Rated voltage $U_N$		24 V DC
Current consumption (transmitter)		50 mA
Current consumption, no load (receiver/transceiver)		150 mA
Operating voltage range $U_B$		0.8 - 1.2 x $U_N$
Electrical isolation supply circuit - control circuit		no
<b>Protection field data</b>		
	Beams	Range (device-dependent)
	2	0.5 - 50 m / 20 - 70 m / 0.5 - 8 m
	3	0.5 - 50 m / 20 - 70 m / 0.5 - 6 m
	4	0.5 - 50 m / 20 - 70 m
<b>Output circuit OSSD</b>		
Number		2
Type		Transistor outputs PNP
Short-circuit monitoring		ja
Switching current (max., per output)		380 mA
Leakage current (max.)		200 $\mu$ A
Switching voltage, high active ( $U_B - 1V$ )		18.0 - 27.8 V
Switching voltage, low		0 - 2.5 V
Line resistance / line length		< 200 $\Omega$
Response time		25 ms
<b>Safety Related Data</b>		
PL (EN ISO 13849-1)		up to PL e
Category (EN ISO 13849-1)		up to category 4
SIL (IEC 61508)		up to SIL 3
SIL <sub>CL</sub> (EN IEC 62061)		up to SIL <sub>CL</sub> 3
Type (EN IEC 61496)		Type 4
$B_{10D}$		NA
PFH <sub>D</sub>		6,6 x 10 <sup>-9</sup> 1/h
$T_M$		20 years
<b>General data</b>		
Creepage distances and clearances between the circuits		EN 60664-1
Protection degree according to EN 60529		IP67
Ambient temperature / storage temperature		-30 °C - +55 °C / -40 °C - + 75 °C
Connection		M12 (5 pole / 8 pole) device-dependent
Weight		1.4 - 2.2 kg, device-dependent
Standards		EN 61496, EN ISO 13849-1, EN 62061
Approvals		TÜV, c-CSA-us

**Note:** For the connection of safety light grids SLD shielded cables are mandatory.



### TRANSMITTER

Type	Description	Part. no.	P.U.
SLD-4TR2-0-50	Transmitter, 2 beams, range 50 m	R1.641.2050.0	1
SLD-4TR2-1-50	Transmitter, 2 beams, range 50 m, laser alignment aid	R1.641.2150.0	1
SLD-4TR2-1-70	Transmitter, 2 beams, range 70 m, laser alignment aid	R1.641.2170.0	1
SLD-4TR3-0-50	Transmitter, 3 beams, range 50 m	R1.641.3050.0	1
SLD-4TR3-1-50	Transmitter, 3 beams, range 50 m, laser alignment aid	R1.641.3150.0	1
SLD-4TR3-1-70	Transmitter, 3 beams, range 70 m, laser alignment aid	R1.641.3170.0	1
SLD-4TR4-0-50	Transmitter, 4 beams, range 50 m	R1.641.4050.0	1
SLD-4TR4-1-50	Transmitter, 4 beams, range 50 m, laser alignment aid	R1.641.4150.0	1
SLD-4TR4-1-70	Transmitter, 4 beams, range 70 m, laser alignment aid	R1.641.4170.0	1

### RECEIVER STANDARD

Type	Description	Part. no.	P.U.
SLD-4ST2-0-50	Receiver-Standard, 2 beams, range 50 m	R1.642.2050.0	1
SLD-4ST2-1-50	Receiver-Standard, 2 beams, range 50 m, laser alignment aid	R1.642.2150.0	1
SLD-4ST2-1-70	Receiver-Standard, 2 beams, range 70 m, laser alignment aid	R1.642.2170.0	1
SLD-4ST3-0-50	Receiver-Standard, 3 beams, range 50 m	R1.642.3050.0	1
SLD-4ST3-1-50	Receiver-Standard, 3 beams, range 50 m, laser alignment aid	R1.642.3150.0	1
SLD-4ST3-1-70	Receiver-Standard, 3 beams, range 70 m, laser alignment aid	R1.642.3170.0	1
SLD-4ST4-0-50	Receiver-Standard, 4 beams, range 50 m	R1.642.4050.0	1
SLD-4ST4-1-50	Receiver-Standard, 4 beams, range 50 m, laser alignment aid	R1.642.4150.0	1
SLD-4ST4-1-70	Receiver-Standard, 4 beams, range 70 m, laser alignment aid	R1.642.4170.0	1

### UNIVERSAL

Type	Description	Part. no.	P.U.
SLD-4US2-0-00	Universal-Standard, 2 beams	R1.644.2000.0	1
SLD-4US3-0-00	Universal-Standard, 3 beams	R1.644.3000.0	1
SLD-4UP2-0-00	Universal-Professional, 2 beams	R1.648.2000.0	1
SLD-4UP3-0-00	Universal-Professional, 3 beams	R1.648.3000.0	1
SLD-4UP2-2-00	Universal-Professional, 2 beams, muting lamp	R1.648.2200.0	1
SLD-4UP3-2-00	Universal-Professional, 3 beams, muting lamp	R1.648.3200.0	1
SLD-MIR2-0-08	Mirror, 2 beams, range 8 m	R1.606.2008.0	1
SLD-MIR3-0-06	Mirror, 3 beams, range 6 m	R1.606.3006.0	1
SLD-MIR3-0-08	Mirror, 3 beams, range 8 m	R1.606.3008.0	1

# SERIES SLC

## MOUNTING ACCESSORIES

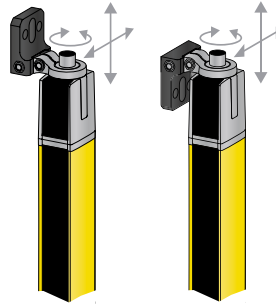


SLX-MO-RO1



SLX-MO-RO2

The **SLX-MO-RO1** and **SLX-MO-RO2** swivel mount sets are used for wall mounting of the SLC series (360° horizontal orientation possible).



# SERIES SLD

## MOUNTING ACCESSORIES



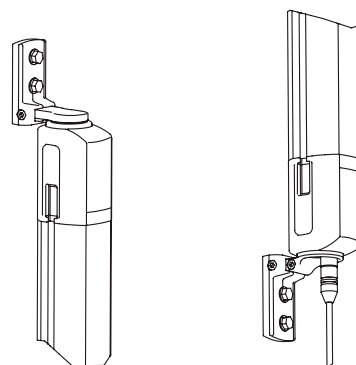
SLX-MO-RO-SET1



SLX-MO-RO-SET2

The swivel mount set **SLX-MO-RO-SET1** (**SLX-MO-RO-SET1S** with shock absorber) is used for wall mounting of Transmitter, Receiver and Transceiver from series SLD (240° horizontal adjustment possible).

The swivel mount set **SLX-MO-RO-SET2** (**SLX-MO-RO-SET2S** with shock absorber) is used for wall mounting of Mirror from series SLD (240° horizontal adjustment possible).



### OVERVIEW OF DEVICES

Type	Description	Part no.	P.U.
SLX-MO-RO1	Rotative bracket 360°, 2 pcs., inkl. 1 pcs. SLC cylinder	R1.591.0006.0	1
SLX-MO-RO2	Rotative bracket 360°, 2 pcs., inkl. 1 pcs. SLC cylinder	R1.591.0020.0	1
SLX-MO-RO-SET1	Set with SLX-MO-RO-B + SLX-MO-RO-C + screws	R1.591.0011.0	1
SLX-MO-RO-SET2	Set with 2 x SLX-MO-RO-C + screws	R1.591.0012.0	1
SLX-MO-RO-SET1-S	Set with SLX-MO-RO-B, SLX-MO-RO-C + screws + shockabsorber	R1.591.0013.0	1
SLX-MO-RO-SET2-S	Set with 2 x SLX-MO-RO-C + screws + shockabsorber	R1.591.0014.0	1



# SERIES SLC / SLD

## MOUNTING ACCESSORIES



**SLX-MO-L**



**SLX-MO-TNUT**



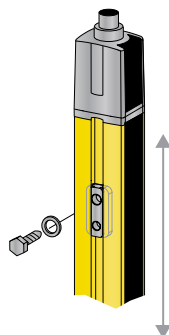
**SLX-MO-Z**



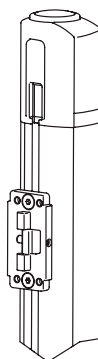
**SLX-MO-CLIP**

The **SLX-MO-TNUT** set including sliding blocks for mounting of series SLC/SLD.

The **SLX-MO-L** and **SLX-MO-Z** sets are used for wall mounting of series SLC/SLD in combination with sliding blocks SLX-MO-TNUT.



The **SLX-MO-CLIP** is used for fixed mounting of series SLC/SLD in device columns SLX-COL.



### OVERVIEW OF DEVICES

Type	Description	Part no.	P.U.
SLX-MO-L	L-Bracket, 2 pcs.	R1.591.0004.0	1
SLX-MO-Z	Z-Bracket, 2 pcs.	R1.591.0005.0	1
SLX-MO-TNUTM6	Set slot nut with M6-screw thread, 10 pcs.	R1.591.0001.0	1
SLX-MO-CLIP	Clamp bracket, for installation in device column	R1.591.0009.0	1
SLX-MO-CLIP2	Set clamp bracket, for installation in device column, 2 pcs.	R1.591.0010.0	1

# SERIES SLC / SLD

## MOUNTING ACCESSORIES



**SLX-CAB-M12**

### CONNECTION CABLES SLC/SLD

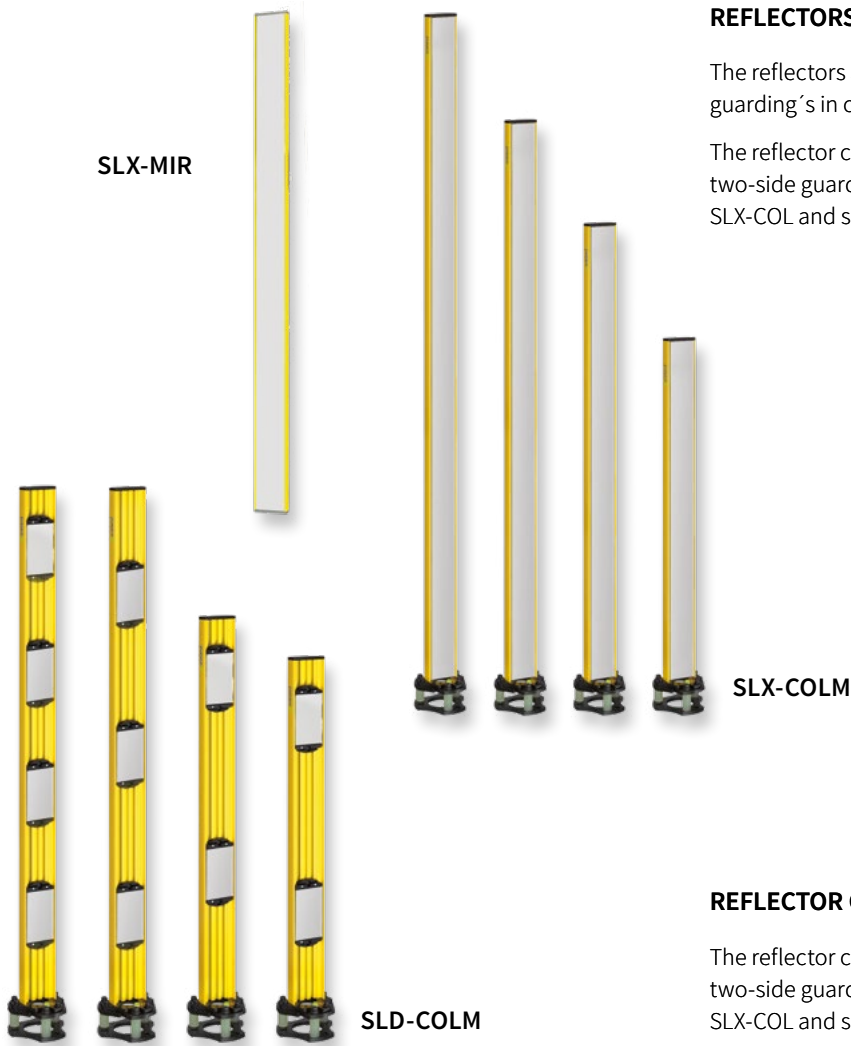
The connection cables **SLX-CAB-M12** (shielded and unshielded) are used for the electrical connection of series SLC/SLD by M12-connector (5- or 8-pole). For the connection of safety light grids SLD shielded cables are mandatory.

### OVERVIEW OF DEVICES

Type	Description	Part no.	P.U.
SLX-CAB-M12-S0505	Connection cable M12, 5-pole, length 5m, shielded	R1.600.0505.0	1
SLX-CAB-M12-S0510	Connection cable M12, 5-pole, length 10m, shielded	R1.600.0510.0	1
SLX-CAB-M12-S0515	Connection cable M12, 5-pole, length 15m, shielded	R1.600.0515.0	1
SLX-CAB-M12-S0525	Connection cable M12, 5-pole, length 25m, shielded	R1.600.0525.0	1
SLX-CAB-M12-S0550	Connection cable M12, 5-pole, length 50m, shielded	R1.600.0550.0	1
SLX-CAB-M12-S0805	Connection cable M12, 8-pole, length 5m, shielded	R1.600.0805.0	1
SLX-CAB-M12-S0810	Connection cable M12, 8-pole, length 10m, shielded	R1.600.0810.0	1
SLX-CAB-M12-S0815	Connection cable M12, 8-pole, length 15m, shielded	R1.600.0815.0	1
SLX-CAB-M12-S0825	Connection cable M12, 8-pole, length 25m, shielded	R1.600.0825.0	1
SLX-CAB-M12-S0850	Connection cable M12, 8-pole, length 50m, shielded	R1.600.0850.0	1
SLX-CAB-M12-0505	Connection cable M12, 5-pole, length 5m, unshielded	R1.500.0505.0	1
SLX-CAB-M12-0510	Connection cable M12, 5-pole, length 10m, unshielded	R1.500.0510.0	1
SLX-CAB-M12-0515	Connection cable M12, 5-pole, length 15m, unshielded	R1.500.0515.0	1
SLX-CAB-M12-0525	Connection cable M12, 5-pole, length 25m, unshielded	R1.500.0525.0	1
SLX-CAB-M12-0550	Connection cable M12, 5-pole, length 50m, unshielded	R1.500.0550.0	1
SLX-CAB-M12-0805	Connection cable M12, 8-pole, length 5m, unshielded	R1.500.0805.0	1
SLX-CAB-M12-0810	Connection cable M12, 8-pole, length 10m, unshielded	R1.500.0810.0	1
SLX-CAB-M12-0815	Connection cable M12, 8-pole, length 15m, unshielded	R1.500.0815.0	1
SLX-CAB-M12-0825	Connection cable M12, 8-pole, length 25m, unshielded	R1.500.0825.0	1
SLX-CAB-M12-0850	Connection cable M12, 8-pole, length 50m, unshielded	R1.500.0850.0	1

# SERIES SLC/SLD

## REFLECTORS AND REFLECTOR COLUMNS



### REFLECTORS AND REFLECTOR COLUMNS SLC

The reflectors **SLX-MIR** are used for the realization of two-side guarding's in combination with series SLC.

The reflector columns **SLX-COLM** are used for the realization of two-side guarding's in combination with free-standing columns SLX-COL and series SLC.

### REFLECTOR COLUMNS SLD

The reflector columns **SLD-COLM** are used for the realization of two-side guarding's in combination with free-standing columns SLX-COL and series SLD.

### OVERVIEW OF DEVICES | PART NUMBERS

Type	Description	Part no.	P.U.
SLX-COLM-1000	Reflector column, persistant 1000 mm	R1.594.1000.0	1
SLX-COLM-1300	Reflector column, persistant 1300 mm	R1.594.1300.0	1
SLX-COLM-1600	Reflector column, persistant 1600 mm	R1.594.1600.0	1
SLX-COLM-1900	Reflector column, persistant 1900 mm	R1.594.1900.0	1
SLX-MIR-0150	Reflector, length: 210 mm	R1.595.0150.0	1
SLX-MIR-0300	Reflector, length: 360 mm	R1.595.0300.0	1
SLX-MIR-0450	Reflector, length: 510 mm	R1.595.0450.0	1
SLX-MIR-0600	Reflector, length: 660 mm	R1.595.0600.0	1
SLX-MIR-0750	Reflector, length: 810 mm	R1.595.0750.0	1
SLX-MIR-0900	Reflector, length: 960 mm	R1.595.0900.0	1
SLX-MIR-1050	Reflector, length: 1110 mm	R1.595.1050.0	1
SLX-MIR-1200	Reflector, length: 1260 mm	R1.595.1200.0	1
SLX-MIR-1350	Reflector, length: 1410 mm	R1.595.1350.0	1
SLX-MIR-1500	Reflector, length: 1560 mm	R1.595.1500.0	1
SLX-MIR-1650	Reflector, length: 1710 mm	R1.595.1650.0	1
SLX-MIR-1800	Reflector, length: 1860 mm	R1.595.1800.0	1
SLX-MIR-FIX2	Bracket for SLX-MIR-reflector, 2 pcs.	R1.595.0002.0	1
SLD-COLM2-0900	Reflector column, reflector distance: 500 mm; total heigth: 900 mm	R1.604.0900.0	1
SLD-COLM2-1060	Reflector column, reflector distance: 500 mm; total heigth: 1060 mm	R1.604.1060.0	1
SLD-COLM3-1360	Reflector column, reflector distance: 400 mm; total heigth: 1360 mm	R1.604.1363.0	1
SLD-COLM4-1360	Reflector column, reflector distance: 300 mm; total heigth: 1360 mm	R1.604.1364.0	1
SLD-MIR	Replacement reflector for SLD reflector columnn	R1.604.0001.0	1

# SERIES SLC / SLD

## DEVICE COLUMNS



SLX-COL



The device columns **SLX-COL** are used for a free-standing installation of series SLC/SLD.



### OVERVIEW OF DEVICES

Type	Description	Part no.	P.U.
SLX-COL-0900	Device column, profile height: 820 mm; total height: 900 mm	R1.593.0900.0	1
SLX-COL-1000	Device column, profile height: 980 mm; total height: 1060 mm	R1.593.1000.0	1
SLX-COL-1300	Device column, profile height: 1280 mm; total height: 1360 mm	R1.593.1300.0	1
SLX-COL-1600	Device column, profile height: 1580 mm; total height: 1660 mm	R1.593.1600.0	1
SLX-COL-1900	Device column, profile height: 1880 mm; total height: 1960 mm	R1.593.1900.0	1
SLX-COL-2500	Device column, profile height: 2480 mm; total height: 2560 mm	R1.593.2500.0	1
SLX-COL-BASE	Replacement pedestal for columns with spring elements	R1.593.0001.0	1
SLX-COLP-0900	2 protective glasses for SLX-COL device column; length: 820 mm	R1.592.0900.0	1
SLX-COLP-1000	2 protective glasses for SLX-COL device column; length: 980 mm	R1.592.1000.0	1
SLX-COLP-1300	2 protective glasses for SLX-COL device column; length: 1280 mm	R1.592.1300.0	1
SLX-COLP-1600	2 protective glasses for SLX-COL device column; length: 1580 mm	R1.592.1600.0	1
SLX-COLP-1900	2 protective glasses for SLX-COL device column; length: 1880 mm	R1.592.1900.0	1

# SERIES SLD / SLC

## OTHER ACCESSORIES



SLX-ACC-LASER



SLX-ACC-LASERCOL

The external laser-alignment device **SLX-ACC-LASER** (for direct mounting on series SLX/SLD) and **SLX-ACC-LASERCOL** (for mounting on a device column SLX-COL) are used for the adjustment of the optical system of series SLC/SLD.



SLX-ACC-TEST

The test rods **SLX-ACC-TEST** are used for functional testing of protective areas realized by series SLC.

### OVERVIEW OF DEVICES

Type	Description	Part no.	P.U.
SLX-ACC-LASERCOL	External laser adjustment device, for fixing in device column	R1.596.0003.0	1
SLX-ACC-LASER	External laser adjustment device	R1.596.0002.0	1
SLX-ACC-TEST2040	Test bar, 20/40 mm	R1.596.2040.0	1
SLX-ACC-TEST1430	Test bar, 14/30 mm	R1.596.1430.0	1
SLX-ACC-MKEY	Magnet key for activation of laser adjustment device	R1.596.0001.0	1

# SERIES SLC / SLD

## MUTING ACCESSORIES



**SLX-MUTC-SET2P**

The Muting-Set **SLX-MUTC-SET2P** is used for realizing a 2-sensor cross muting e.g. in combination with device columns SLX-COL to be ordered separately or directly onto the SLD safety light grids.

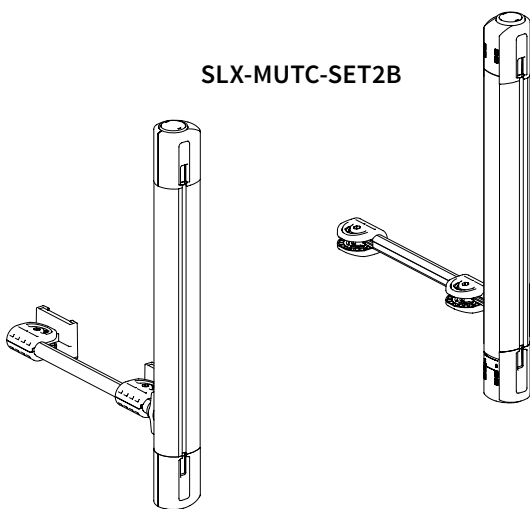
The Muting-Set **SLX-MUTC-SET4** (no figure) is used for realizing a 4-sensor-sequence-muting, e.g. in combination with device columns SLX-COL to be ordered separately or directly onto the SLD safety light grids.

The Muting-Set **SLX-MUTC-SET2B** (see figure below) is used for set-up a 2-sensor sequential muting system, e.g. in combination with the SLX-COL device columns to be ordered separately, or directly onto the SLD safety light grids.

### OVERVIEW OF DEVICES

Type	Description	Part no.	P.U.
SLX-MUTC-SET2P	SLX-muting-sensor-set for 2-sensor-parallel-muting, incl. 2 sensor units, 2 reflector units, pre-assembled, distance 8 m, 2 m cable with plug M12	R1.597.0008.0	1
SLX-MUTC-SET4	SLX-muting-sensor-set for 4-sensor-sequential-muting, incl. 4 sensor units, 4 reflector units, pre-assembled, distance 8 m, 2 m cable with plug M12	R1.597.0007.0	1
SLX-MUTC-SET2B	SLX-muting-sensor-set for 2-sensor-sequential-muting, incl. 2 sensor units, 2 reflector units, pre-assembled, distance 8 m, 2 m cable with plug M12	R1.597.0006.0	1
SLX-MUT-REFLEX	Reflector	R1.597.0015.0	1
SLX-MUT-BOX4-BT	Sensor connector box for 4 muting sensors, with mounting plate	R1.597.0019.0	1
SLX-MUT-BOX4-BT-L	Sensor connector box for 4 muting sensors, with L-mounting bracket	R1.597.0021.0	1

Further muting accessories are available on request.



**SLX-MUTC-SET2B**

# OUR **SECTOR KNOWLEDGE**

Wieland Electric is the world market leader for pluggable electrical installations. Our name stands for a trusting and successful cooperation with OEMs and partners. Our industry expertise is your security. Our solutions your benefit.



Building installation



Heating, ventilation and air conditioning systems



Light technology



Machine and system construction



Intralogistics



Regenerative energies

# OUR **SOLUTIONS** RANGE



Energy distribution in floors and ceilings



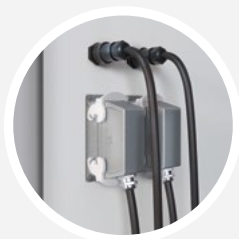
Plug-in electrical installations



Technology for Room automation



System distribution boxes



Connectors/connection technology for energy distribution



Safety technology



Industrial network communication



Control panel technology, DIN rail terminal blocks



# INFO TO GO

All brochures from Wieland Electric are available for download on our website.



<https://www.wieland-electric.com/en/support/downloads>

Interesting for you

## SAFETY LIGHT CURTAINS + LIGHT GRIDS



## SAMOS® PRO COMPACT

Safety controllers for machines + plants  
Part No. 0881.1



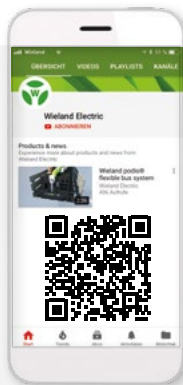
## SAFETY CATALOG

Safe System Solutions for Automation Technology  
Part No. 0860.1



## Wieland on YouTube

See our solutions in motion



<https://www.youtube.com/user/WielandElectric>



## Technical consultation

Industry Solutions

Email: [industry@wieland-electric.com](mailto:industry@wieland-electric.com)

Worldwide: <https://wie.li/contactinternational>



# ONLY ONE TAP AWAY

## Our Wieland E-Shop

Over 25,000 products - anytime

In our online store you will find all the information about our products, prices, and technical data.

Order easily and conveniently online, and check availability.

<https://eshop.wieland-electric.com>

Scan QR code – view products in the E-SHOP.





# wieland

## HEADQUARTERS

Wieland Electric GmbH  
Brennerstraße 10 – 14  
96052 Bamberg · Germany

---

Phone +49 951 9324-0  
Fax +49 951 9324-198  
info@wieland-electric.com

0893.1 MC 08/22

Represented in over 70 countries worldwide:

[www.wieland-electric.com](http://www.wieland-electric.com)