

revos

SOLID CONNECTION

Industrial multiple connectors for use in especially tough environment conditions.

HELLO WIELAND ELECTRIC

Tradition and innovation - Wieland is representing the synergy of these two guiding principles for more than 100 years.

At Wieland Electric, we are proud to be the world market leader in electrical connections, and have been focusing on safe and innovative technologies since our founding. The beginnings of our success lie in the legendary Wieland Clamp, the first-ever safe electrical connector. Since then, innovation has pushed us to develop safer and more efficient ways to electrify the world.

Expanding from a component-only manufacturer, we are now one of the leading suppliers of innovative, future-oriented, and complete electrical solutions. We divide our focus into two main areas, Building and Industry. Our Building Solutions focus on decentralized power distribution and pluggable connections in all kinds of architectures and infrastructures. From in-store displays and lighting to hospitals and airports, and any structure in between – you build it, we power it! Our Industry Solutions center around functional safety for machines, industrial networking (IIoT and VPN), and power distribution. At Wieland, we keep your productivity going in mechanical engineering, wind power, material handling, HVAC, and many other industries.

We are at our customers' side in every step of the project, right from the start. Our experts offer consulting, on-site services, and technical support. We see ourselves as service providers, trainers and subject-matter experts.



1910

Founded in
Bamberg



1600+

Employees
worldwide



5

Production
sites



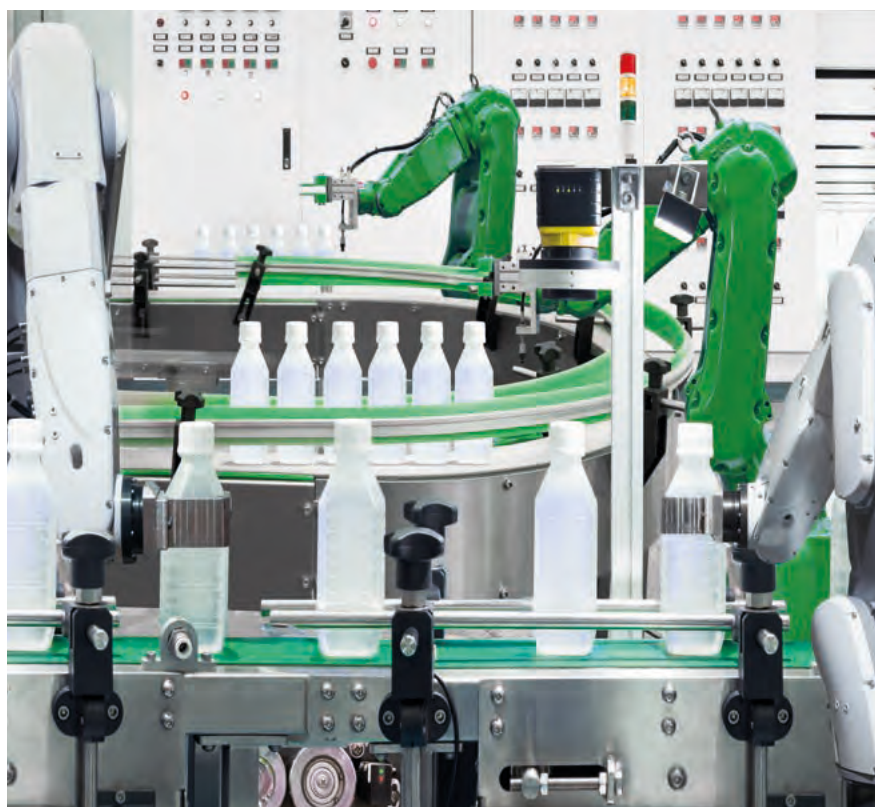
70+

Countries
worldwide

CONTENT

	revos heavy duty connectors for all applications	5
	Overview of the revos program	6
	General design of a revos industrial multipole connector	10
	The locking mechanism of the industrial multipole connectors	12
	Connection technologies	14
	Housing series	16
	Contact inserts - overview	20
	Product Matrix	26
Contact inserts	Introduction - Overview	28
	revos MINI 3- to 12-pole, 50 V - 690 V, up to 16 A	30
	revos BASIC 6- to 92-pole, 500 V - 830 V, 16 A	36
	revos DD 24- to 108-pole, 250 V, 10 A	64
	revos HD 15- to 64-pole, 250 V + 400 V, 16 A	66
	revos POWER 4- to 42-pole, 230 V - 690 V, up to 100 A	74
	revos IT Data cable feed-through	90
	revos Ex 6- to 48-pole, 90 V, 16 A	92
	revos FLEX 2- to 20-pole, 100 V - 5.5 kV, up to 150 A	94
	revos MODULAR 3- to 20-pole, 50 V - 830 V, up to 40 A	120
	revos MOT 10-pole, 690 V, 16 A	140
	revos Q 4/2- to 17-pole, 250 V - 500 V, up to 16 A	142
Housing series	Introduction - Overview	148
	revos MINI Size 3	150
	revos BASIC Size 6, 10, 16, 24, 32, 48, increased height design, EMC housings	156
	revos BASIC M Size 6, 10, 16, 24, for increased environmental requirements	231
	revos HD Size 10/15, 16/25, 32/50	248
	revos Ex Size 6, 10, 16, 24, 48, for hazardous areas	262
	Multipole connector sets with 4 components	282
Accessories	Introduction	284
	Mounting frames	286
	Cover and reducer plates	288
	Coding accessories	290
	Docking frame	295
	Cable glands	296
	Protective covers	300
	Tools	304
	Marking material	305
FACTS & DATA	General information + Technical data	308
	Detailed table of contents	330
	Index	334
	Information and contacts	347

Information regarding conductor connections, IP degree of protection, derating behavior, mounting can be found under FACTS & DATA.





REVOS

HEAVY DUTY CONNECTORS FOR **ALL APPLICATIONS.**

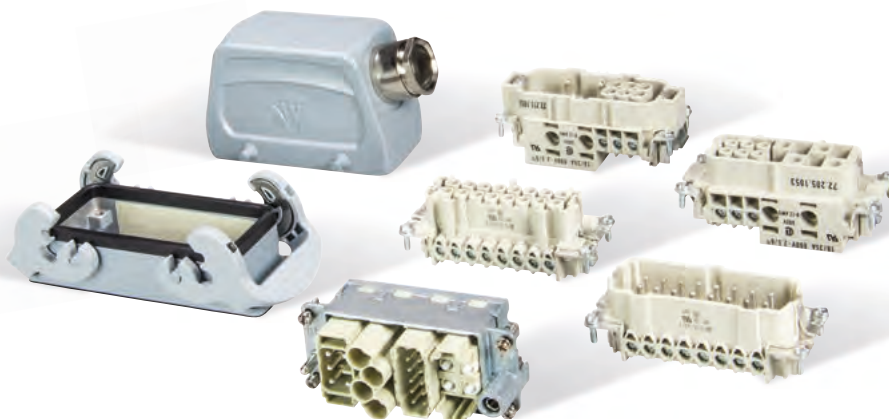
Heavy duty connectors are specifically designed for use in especially tough environment conditions.

The main areas of use are the automotive industry, in packaging machinery and equipment, as well as for instrumentation, control and automation equipment.

They permit simple and time-saving installation of machinery and equipment. Their housings protect against mechanical impact and prevent entry of spray water and dust. The system's sub-assemblies can undergo a quality check in house, which simplifies installation and commissioning at their end use location.

FEATURES:

- + SCREW, SPRING-CLAMP, PUSH-IN AND CRIMP CONNECTION TECHNOLOGY
- + DIFFERENT HOUSING SIZES 3 TO 50
- + HOUSING IN LOW AND HIGH DESIGN AVAILABLE
- + 2- TO 216-POLE CONTACT INSERTS
- + VARIOUS HOUSING LOCKS



REVOS CONTACT INSERTS OVERVIEW



REVOS MINI

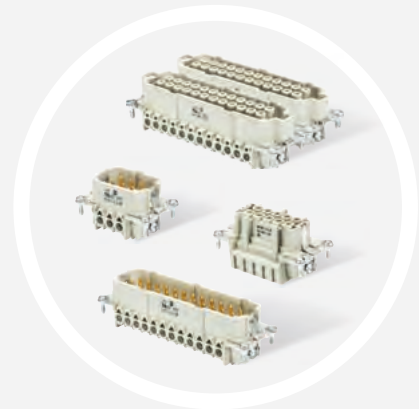
The contact inserts for the revos MINI connector series are very compact and available with 3 to 12 poles.

You will find the contact inserts for the revos MINI connectors on pages 30–35.

REVOS BASIC

The proven connectors and multiple adapters are available in 6 to 92 pole design with screw, spring clamp and crimp connection technology.

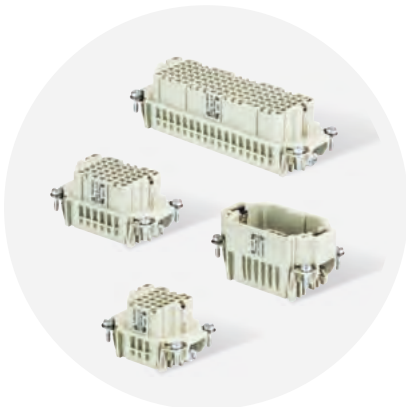
You will find revos BASIC contact inserts on pages 36–63.

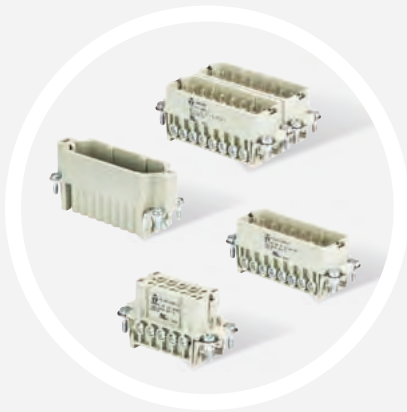


REVOS DD

High contact density in the most compact space – this is what the space-saving contact inserts of revos DD offer. Connection is made with the proven turned crimp contacts, with a diameter of $\varnothing 1.6$ mm, which offer a connection range from 0.14 to 2.5 mm² at a rated voltage of 250 V (600 V CSA/UL).

You will find revos DD contact inserts on pages 64–65.





REVOS HD

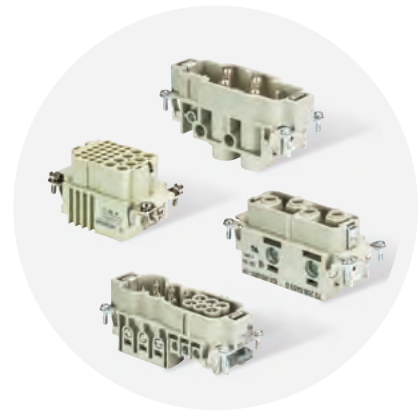
Contact inserts and multipole adapters with 15 to 64 poles and for currents up to 10 A designed according to DIN EN 175301-801 (previously DIN 46352). The contact inserts are designed in crimp connection technology.

You will find revos HD contact inserts on pages 66–73.

REVOS POWER

The contact inserts and multipole adapters are designed for ≥ 16 A currents; they are also available with mixed contacts and screw connection.

You will find revos POWER contact inserts and terminal block adapters on pages 74–88.



REVOS FLEX

The modular system for the economical and clever mixture of contact inserts. With this flexible system you can customize your connector, to meet the requirements of your application.

You will find revos FLEX contact inserts on pages 96–112.

REVOS MODULAR

With interchangeable inserts the revos MODULAR can offer power, signal, and communication connections in a single adapter. Designed to reduce cabling complexity and the amount of individual connections required, this connector system is a flexible and long-term solution for modern industrial environments.

You will find revos MODULAR contact inserts on pages 122–137.



REVOS HOUSING FAMILIES OVERVIEW



REVOS MINI

The design of the housings for the connectors of revos MINI is very compact and available in two materials:

- Die cast zinc alloy
- Polyamide

You will find revos MINI-housings on pages 150–155.

REVOS BASIC / REVOS BASIC M

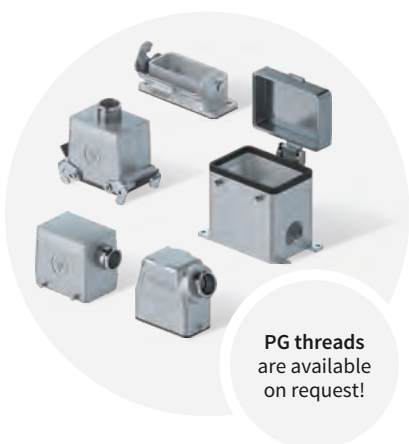
The housing of the BASIC series are available in size 6 to 48. For convenient connection of the cables this series is also available in increased height design in sizes 6H–24H. The housings are made of die cast aluminum with, silicon-free finish. The connector series revos BASIC M is specifically designed for increased environmental requirements, with stainless steel lever and bolt and chemically stable sealing.

You will find revos BASIC-housings on pages 156–230.

You will find revos BASIC M-housings on pages 232–247.



PG threads
are available
on request!



PG threads
are available
on request!


REVOS HD

The housings of the HD series are available in size 10/15 to 32/50.

You will find revos HD-housings on pages 248–261.

REVOS SPECIAL MULTIPOLE CONNECTOR DESIGNS

REVOS

revos  multipole connectors are specially designed for use in hazardous areas for underground mining. Their use in zone 1 for intrinsic circuits has been approved by the BVS test institute. The housings for the multipole connectors are manufactured from die cast zinc alloy.

You will find revos -contact inserts on page 92.

You will find revos -housings on pages 262–281.

Operating instructions for  plug connectors, see facts&DATA.



REVOS IT

Data cable feed-throughs – the ideal solution for the installation of pre-assembled cables to enclosures. Sealed and with strain relief.

You will find revos IT products on pages 90–91.

REVOS MOT / REVOS Q

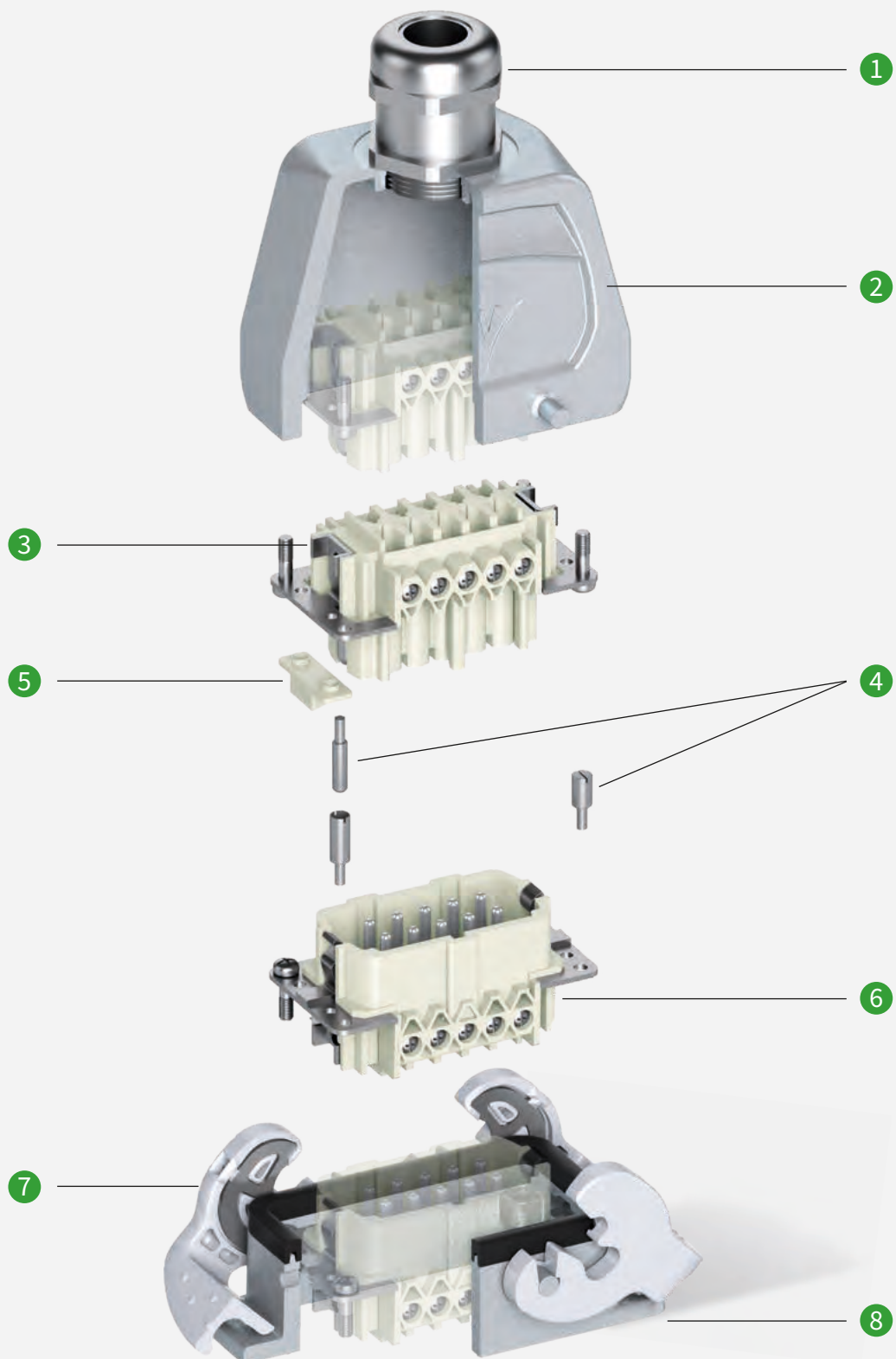
revos MOT / revos Q plug connectors with plastic housings, simple and easy handling due to its unique latching system.

You will find revos MOT products on pages 140–141.

You will find revos Q products on pages 142–147.



GENERAL DESIGN OF A REVOS INDUSTRIAL MULTIPOLE CONNECTOR

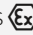


1 CABLE GLANDS

For revos industrial connectors the following cable glands are available:

- Cable gland without strain relief, protection degree IP54, 7x.xxx.xxx.0 fully assembled
- Cable glands, protection degree IP68, available as accessories in plastic or brass
- EMC cable glands

2 HOODS

Aluminum die cast alloy, silicon-free finish (housings for revos  - and revos MINI are manufactured from die cast zinc alloy)

- Low and increased height designs available
- Cable entry at the side, on top or at the front
- With or without locking levers

3 FEMALE INSERTS

Available in the following connection techniques:

- Screw connection
- Spring clamp connection
- Push-in connection
- Crimp connection

4 CODING ACCESSORIES

- Coding pins
- Female coding pieces
- Coding bolts

5 CODING BOLTS

The mechanical coding on the 690 V contact inserts prevents them from being mounted in 500 V housings.

6 MALE INSERTS

Available in the following connection techniques:

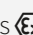
- Screw connection
- Spring clamp connection
- Push-in connection
- Crimp connection

7 LOCKING LEVERS

Single or double locking lever

- Plastic design
- Steel design
- Stainless steel design

8 BASES

Aluminum die cast alloy, silicon-free finish (housings for (revos  - und revos MINI are manufactured from die cast zinc alloy)

- Low and increased height designs available
- Open-bottom and closed-bottom bases
- Single or double locking lever of plastic, steel or stainless steel
- Coupling for “cable-to-cable connections”



THE **LOCKING MECHANISM** OF THE **REVOS** BASIC INDUSTRIAL MULTIPOLE CONNECTORS

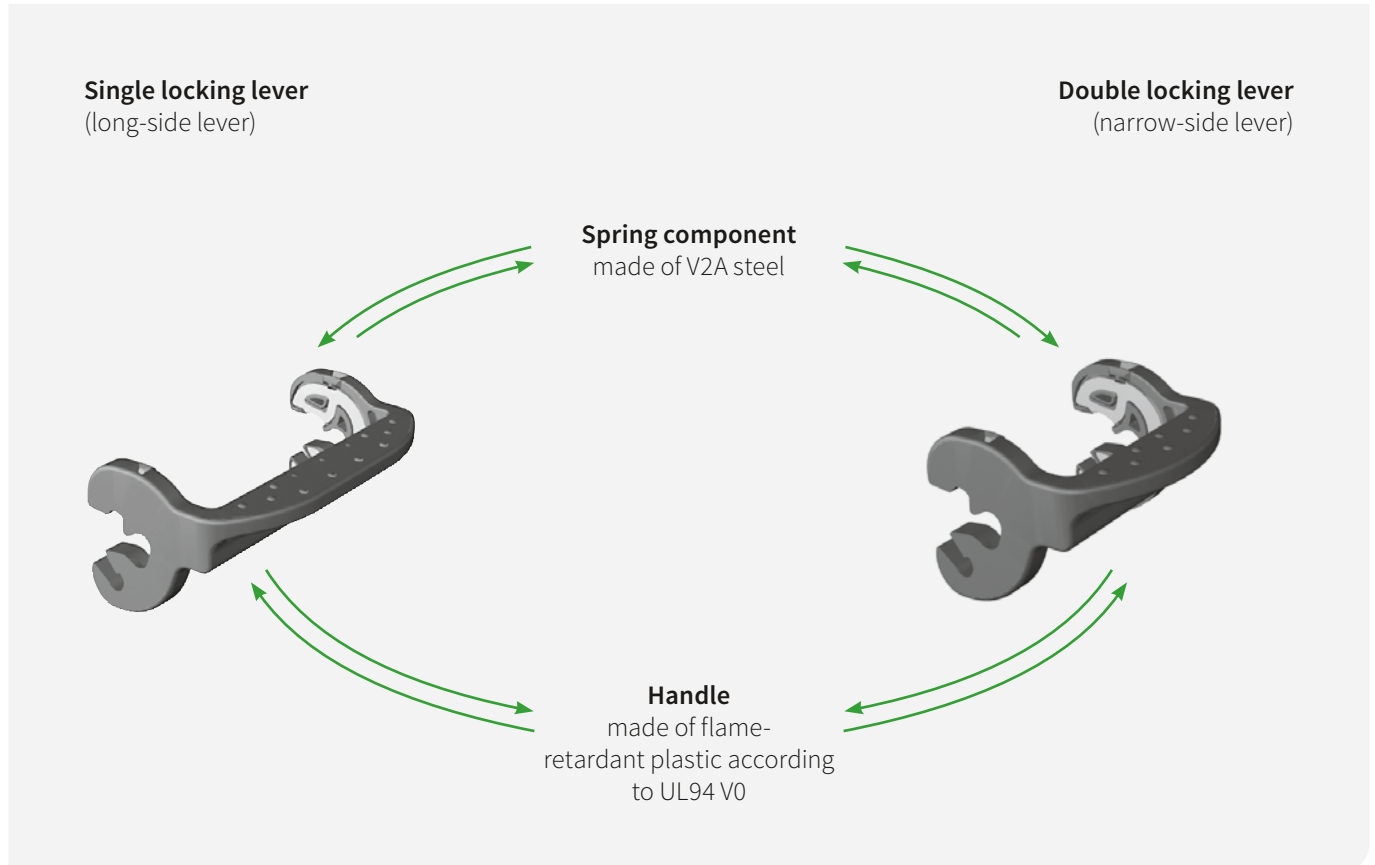
The locking levers secure the mechanical connection between hood and housing. The locking mechanism is also a main determinant of the connector's IP protection rating. Wieland's standard revos BASIC connectors in size 6 to 24 are equipped with locking levers that are made of two components.

The handle consists of flame-retardant and halogen-free plastic material and ensures convenient and almost wear-free locking. The retention force is provided by a spring component that is made of V2A stainless steel and also resists aggressive environmental conditions.

LOCKING FEATURES:

- Low-wear locking mechanism
- High holding forces
- Plastic material suitable for outdoor applications
- Salt and seawater resistant, UV resistant
- During overhead mounting the lever will remain in the open position
- Replaceable
- Self-extinguishing plastic material according to UL 94 V0

Locking design



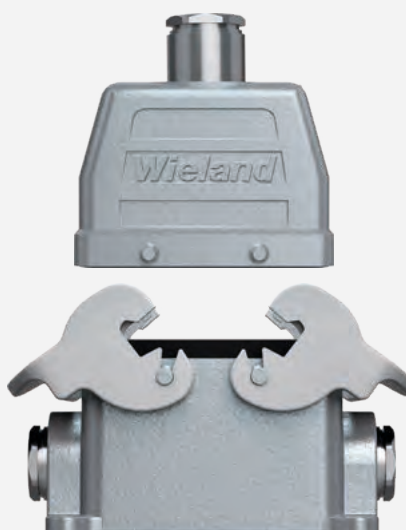
In general we distinguish levers on the hood and levers on the base, as well as single locking levers (on the long side) and double locking levers (on the narrow side). On the opposite hood or base there are studs to which the lever latches.

THE FOLLOWING LOCK TYPES ARE AVAILABLE:

One long-side lever
(single locking lever)



Two narrow-side levers
(double locking lever)

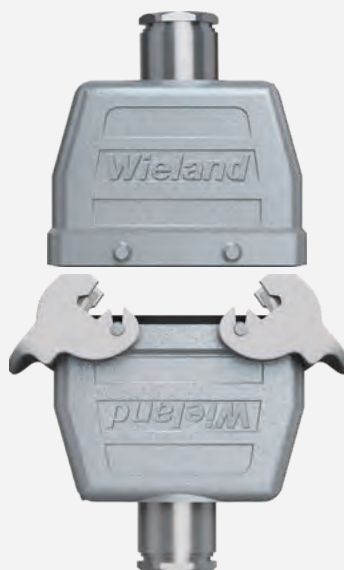


CONNECTORS FOR CABLE-TO-CABLE COUPLINGS:

One long-side lever
(single locking lever)



Two narrow-side levers
(double locking lever)



NOTE:

- Locking levers made of steel or stainless steel are available on request.
- In case of any questions our connector hotline (+49 951 9324-991) will be happy to assist you.

CONNECTION TECHNOLOGIES

Screw connection technology



This connection technology is the one most frequently used today. Screw connectors are designed according to EN 60 999/VDE 0609.

FEATURES OF THIS CONNECTION TECHNOLOGY:

- Operation is simple and easy
- No special tools required
- High-quality connection that can be used for all areas of application
- Non-permanent connection, rewiring possible

Screw terminals are measured in accordance with EN 60 999/VDE 0609.

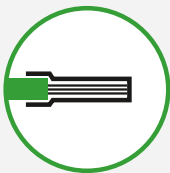
Please refer to the respective tightening torques from table 4 on page 312.

The contact point can be delivered with or without wire protection.

Clamping bodies with wire protection do not require any preparation of the wires.

Clamping bodies without wire protection require appropriate preparation of the wires in case fine-stranded wires are used.

Crimp connection technology



This connection technology provides the highest quality, but is also the most demanding. The technical requirements for crimp connections are defined in the IEC 60 352-2 standard. Crimp connections must always be produced using a crimping tool that has been designed for the contact. Wieland crimping tools are specifically adapted to the contacts and thus ensure a permanent and corrosion-resistant connection.

FEATURES OF THIS CONNECTION TECHNOLOGY:

- High-quality connection similar to cold welding
- Consistent repeatability of the crimp connection
- Suitable for automation during pre-assembly of cable harnesses
- Compact design that allows a high contact density
- Special crimping tool required
- Permanent connection



Micrograph of a B crimp



Micrograph of a square crimp

Using the suitable tools when producing crimp connections is essential.

Correct and gas-tight connections can only be ensured by tools that are particularly adapted to the contact. Wieland crimping tools compress the contact point with a so-called B crimp or a square crimp to make it gas-tight.

A contact to tool assignment can be found on pages 328–329.

CONTACT MATERIALS

revos-connectors are available with tin-plated, silver-plated or gold-plated contacts. The basic material is a high-quality copper alloy.

For exact explanations, see pages 318–319.

Spring clamp connection technology



In the last few years this connection technology has been established as an industrial standard. Spring clamp connectors are designed according to EN 60 999/VDE 0609.

FEATURES OF THIS CONNECTION TECHNOLOGY:

- Easy handling / No special tools required
- High-quality connection even under vibration
- Non-permanent connection, rewiring possible

For contact inserts with spring clamp connection technology all wire types (solid, stranded, fine-stranded) can be used without special preparation of the wires. When ferrules are used they must be crimped to the wire by means of a special positively driven crimping tool.



PUSH-IN CONNECTION TECHNOLOGY

Push-in, the simple, quick and tool-less connection system for prepared conductors.

FEATURES OF THIS CONNECTION TECHNOLOGY:

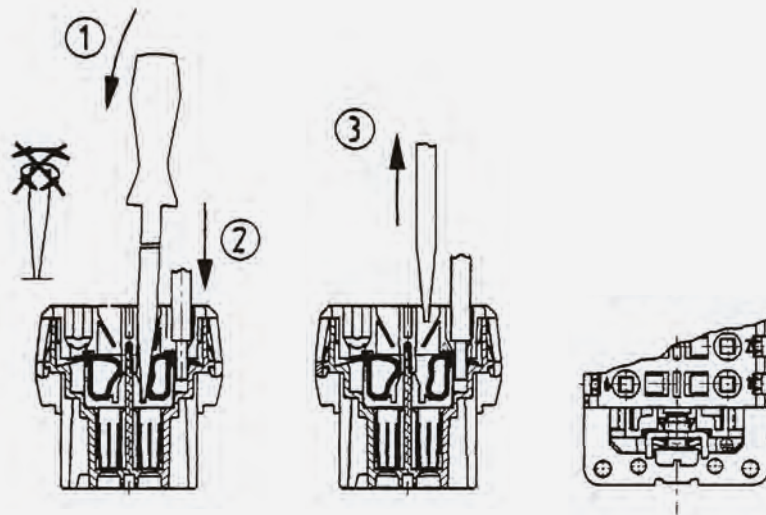
- Extremely short connection time
- Gas-tight and vibration-proof connection
- Testing potentials even in the inserted state

OPERATING INSTRUCTIONS SPRING CLAMP CONNECTION TECHNOLOGY:

1. Insert the screwdriver using a slight curving motion into the rectangular opening.
2. Open the clamping body.
The screwdriver will stay in position, and hold the clamping body open.
3. Insert the wire into the round wire entry guide and remove the screwdriver.

Screwdriver: 0.6 mm x 3.5 mm

Part number: 06.502.4000.0



HOUSING SERIES REVOS BASIC

Single locking lever

HOODS



BASES

Size (GB):

- GB 6, 10, 16, 24, 48
- GB 6H, 10H, 16H, 24H

Motor connector housing

Coupling housings



Double locking lever

HOODS



Size (GB): 16XL, 24XL
with extra large wiring space

BASES

Size (GB):

- GB 10, 16, 24, 32
- GB 10H, 16H, 24H, 16XL, 24 XL

Coupling housings



H \triangle increased height design; XL \triangle extra large wiring space. All bases are also available with a protective cover.
For an assignment of the contact inserts to the housing sizes see page 20–21 as well as the product matrix on page 26–27.

HOUSING SERIES REVOS HD

Single locking lever

HOODS



BASES

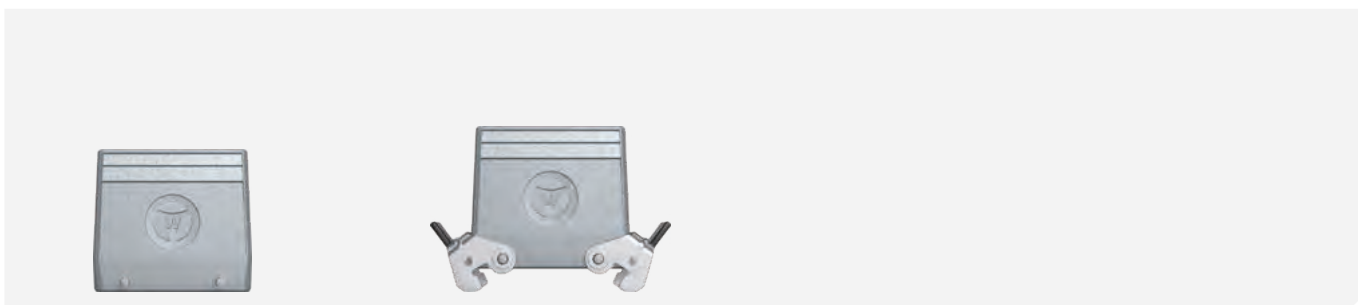
Size (GB):

- GB 10/15, 16/25



Double locking lever

HOODS



BASES

Size (GB):

- GB 32/50

Coupling housings



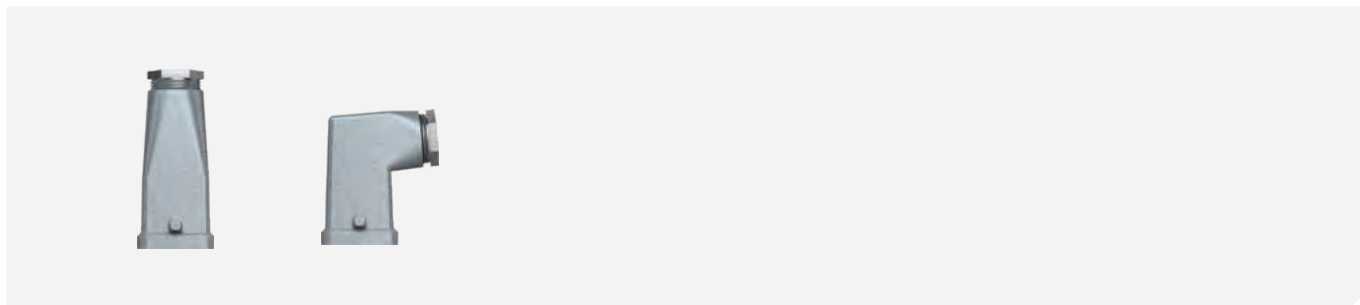
All bases are also available with a protective cover.

For an assignment of the contact inserts to the housing sizes see page 24 as well as the product matrix on page 26–27.

HOUSING SERIES REVOS MINI + REVOS Q

REVOS MINI

HOODS

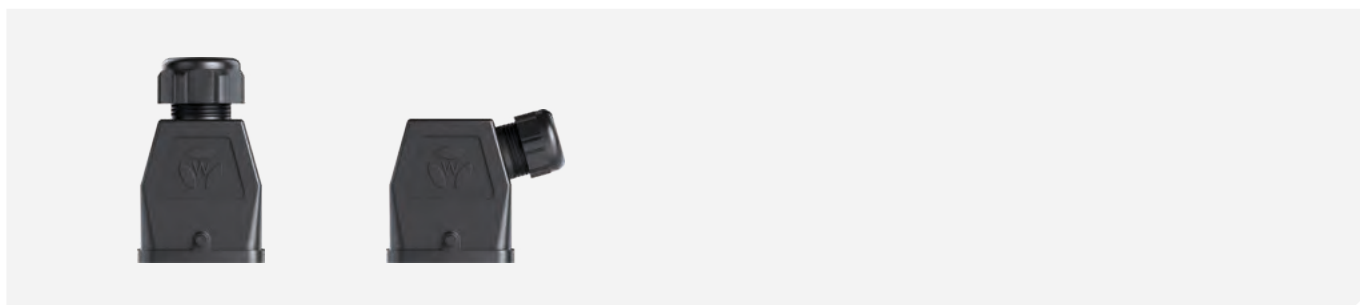


BASES

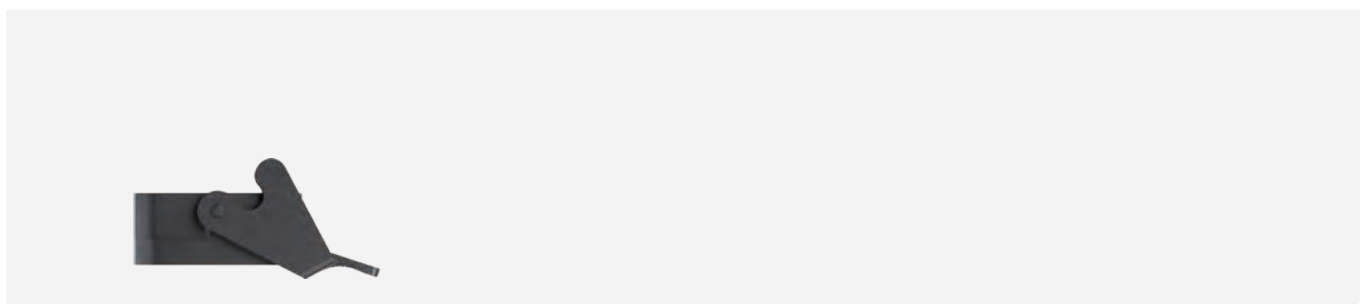


REVOS Q

HOODS



BASES



HOUSING SERIES REVOS

HOODS



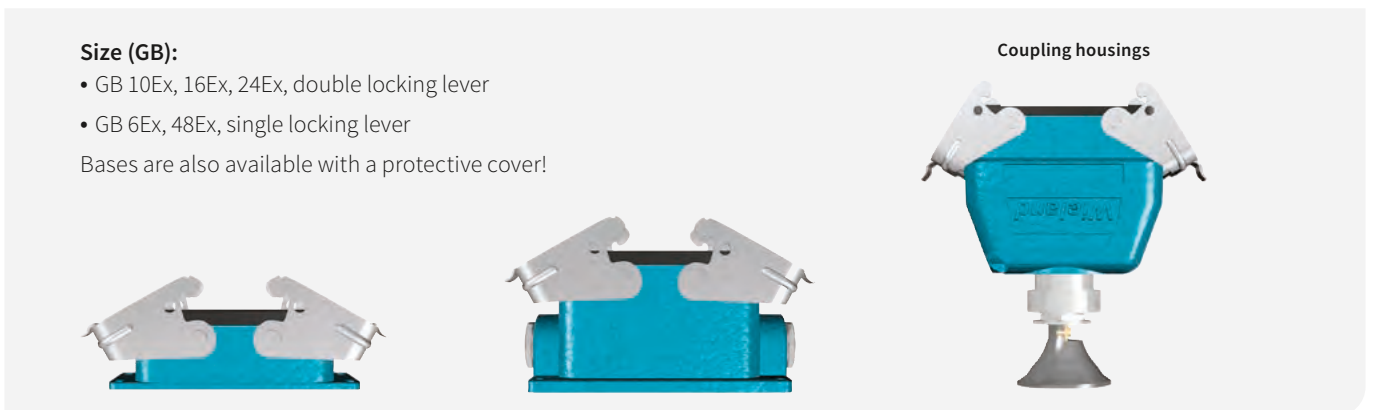
BASES

Size (GB):

- GB 10Ex, 16Ex, 24Ex, double locking lever
- GB 6Ex, 48Ex, single locking lever


















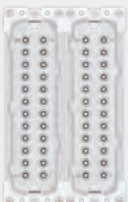
Bases are also available with a protective cover!

Coupling housings






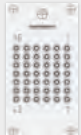
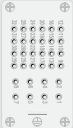










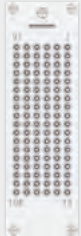




CONTACT INSERTS

for the housings of revos BASIC

Size	BASIC 500 V / 16 A	BASIC 400/690 V / 16 A	BASIC 690 V / 16 A	BASIC 830 V / 16 A	EE 500 V / 16 A
6/ 6H	 6 + ground		 4/2 Switching contacts + ground		 10 + ground
10/ 10H	 10 + ground	 3/2 Switching contacts + ground	 8/2 Switching contacts + ground	 3/2 Switching contacts + ground	 18 + ground
16/ 16H	 16 + ground		 14/2 Switching contacts + ground	 6/2 Switching contacts + ground	 32 + ground
24/ 24H	 24 + ground		 22/2 Switching contacts + ground	 10/2 Switching contacts + ground	 46 + ground
32	 32 + ground				
48	 48 + ground				

CONTACT INSERTS

for the housings of revos BASIC

Size	DD 250 V / 10 A	HD 250 V / 10 A	POWER 230-690 V / 16-100 A	FLEX 100-1000V / 4-82 A	MODULAR 50-830V / 1A-40A
6/ 6H	 24 + ground			 2 Modules	 2 Modules
10/ 10H	 42 + ground		 8/24 + ground	 3 Modules	 3 Modules
16/ 16H	 72 + ground	 40 + ground	 6/6 + ground	 5 Modules	 4 Modules
			 4/6 + ground		
			 12/2 + ground		
			 6/36 + ground		
24/ 24H	 108 + ground	 64 + ground	 4/8 + ground	 7 Modules	 6 Modules



CONTACT INSERTS

revos FLEX-modular inserts

Modules for power supply



2-pole
1000 V/82 A
Screw



2-pole
1000 V/65 A
Crimp



2-pole
1000 V/150 A
Crimp



3-pole
630 V/40 A
Crimp



5-pole
250 V/20 A
Crimp



4-pole
1000 V/16 A
Crimp



4-pole
400 V/14 A
Spring clamp

Modules for signal distribution

High voltage

Compressed air



10-pole
250 V/10 A
Crimp/LWL-POF



20-pole
100 V/4 A
Crimp



2-pole
5.5 kV/20 A
Crimp



Pneumatic
1-pole
10 bar - Ø 2.5/4 mm



Pneumatic
2-pole
10 bar - Ø 2.5/4 mm

Bus systems

Special modules



USB
4-pole
30 V/1 A
Screw



Profibus
4-pole
30 V/1 A
Screw



Ethernet
8 plus 4-pole
30 V/1 A / 400 V/10 A
Crimp/optical fiber








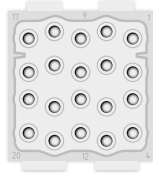



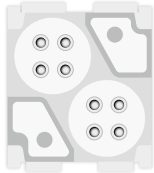


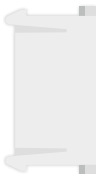

TWIN BUS
4-pole
50 V/10 A
Crimp



Modular blind piece

CONTACT INSERTS







revos MODULAR-modular inserts

Modules for power supply					
					
3-pole 500 V/40 A Crimp	3-pole 690 V/40 A Axial connection	4-pole 830 V/40 A Crimp	5-pole 400 V/16 A Spring clamp	8-pole 230/400 V/16 A Crimp	20-pole 500 V/16 A Crimp
Modules for signal distribution			Bus systems		
					
12-pole 250 V/10 A Crimp	17-pole 160 V/10 A Crimp	RJ 45 Kat 6 A 50 V/1 A	4-pole 50 V/10 A Crimp		
LWL	D-SUB 9	Special modules	Module frame		
					
3-pole 500 V/40 A Crimp < 0,5 dB	50 V 5 A	Modular blind piece	Module frame		









CONTACT INSERTS

for revos HD-housings




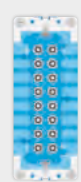
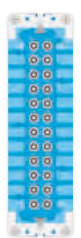
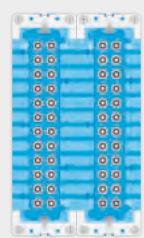
Size	HD 10/16 250 V / 16 A	HD 15/25 250 V / 10 A
10/ 15	 <p>10 + ground</p>	 <p>15 + ground</p>
16/ 25	 <p>16 + ground</p>	 <p>25 + ground</p>
32/ 50	 <p>32 + ground</p>	 <p>50 + ground</p>

for revos MINI-housings

Size	250 – 400 V / 10 A	400 V / 10 A	400 V / 16 A	50 – 250 V / 10 A	50 V / 10 A	690 V / 10 A
3	 <p>3 + ground</p>	 <p>4 + ground</p>	 <p>5 + ground</p>	 <p>7 + ground</p>	 <p>8</p>	 <p>12</p>

CONTACT INSERTS




for revos Ex - housings

Size	6Ex	10Ex	16Ex	24Ex	48Ex
	 6 + ground	 10 + ground	 16 + ground	 24 + ground	 48 + ground

revos MOT special designs



revos Q special designs

400/690 V 40 A + 250 V 10 A	500 V / 16 A	250 V / 10 A
 4/2 + ground	 8 + ground	 17 + ground

PRODUCT MATRIX

The revos product matrix provides an overview of the available families of contact inserts and their matching housing series.

Horizontally you can find the contact inserts sorted per family and with indications for rated voltage, rated current and connection technology.









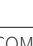




Vertically the housing series and their variations in size are shown. Matching combinations are found in the matrix.

The restrictions of the revos FLEX, revos MODULAR and revos HD contact inserts are caused by their depth and cable density inside the housing when fully equipped with contact inserts.

In case of any questions regarding these combinations, our connector hotline (+49 951 9324-991) will be happy to assist you.



BASIC	BASIC EE
500 V 16 A	500 V 16 A
S / F C / P	C

Housing Series	Material	Variation	Size (GB)	Locking levers	Hoods page	Bases page	S / F C / P		
							36-45	46	
BASIC 	Aluminum die cast	Standard housings	6	Single	156	160	•	•	
			10	Single	164	168	•	•	
				Double	172-175	178	•	•	
			16	Single	182	186	•	•	
				Double	190-193	198	•	•	
			24	Single	202	206	•	•	
				Double	210-213	218	•	•	
			32	Double	222	223	•	•	
			48	Single	224	226	•	•	
			Increased height design	6H	Single	158	162	•	•
				10H	Single	166	170	•	•
					Double	176	180	•	•
		16H		Single	184	188	•	•	
				Double	194-197	200	•	•	
		24H		Single	204	208	•	•	
		large wiring space	16XL	Double	197		•	•	
			24XL	Double	217		•	•	
			EMC housings	6/6H	Single	228	229	•	•
				10/10H	Double	228	229	•	•
16/16H	Double			228	229	•	•		
24	Double			228	229	•	•		
Motor conn. hous.	10	Single		230					
BASIC M 		Increased environmental requirements	6	Single	232	234	•	•	
			10	Single	236	238	•	•	
			16	Single	240	242	•	•	
			24	Single	244	246	•	•	
HD 	Aluminum die cast	250 V	10/15	Single	248	250			
			16/25	Single	252	254			
			32/50	Double	256-259	260			
MINI 	Polyamide	Plastic	3	Single	150	151			
	Die cast zinc alloy	Metal	3	Single	152	153			
	Aluminum die cast	Metal	3	Screw	154	155			
	Die cast zinc alloy	90 V	6 	Single	262	264			
			10 	Double	266	268			
			16 	Double	270	272			
			24 	Double	274	276			
			48 	Single	278	280			
FLEX COMPACT 		1M	1 M	Single	118	118			
MOT 	Polyamide	690 V	10 + ground	Push-Pull	140	140			
Q 	Polyamide	690 V	8	Single	146	146			

H  Increased height design; XL  Large wiring space

REVOS CONTACT INSERTS

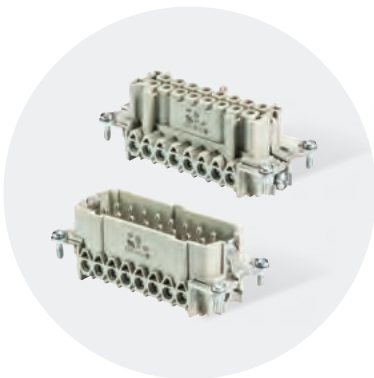
The contact inserts perform the task of distributing power and signals. The contact inserts are available as 2 to 216-pole models. They are suitable for currents from 4 to 150 A and for voltages up to 5.5 kV.



REVOS MINI

For use in tight spaces.

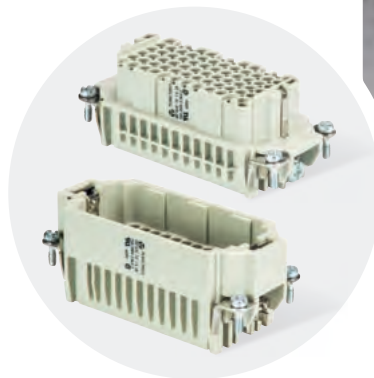
- Connection technology: Screw and crimp connection
- Rated current up to 16 A
- Rated voltage up to 690 V
- Number of poles from 3 to 12



REVOS BASIC

For the harshest environmental conditions.

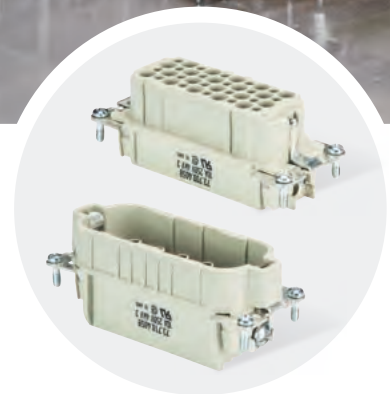
- Connection technology: Screw-in, push-in, spring-cage and crimp connection
- Rated current 16 A
- Rated voltage up to 830 V
- Number of poles up to 96



REVOS DD

High contact density even in the most confined spaces.

- Connection technology: Crimp connection
- Rated current 10 A
- Rated voltage 250 V
- Rated impulse voltage 2.5 kV



REVOS HD

For multi-pole connectors.

- Connection technology: Screw and crimp connection
- Rated current to 16 A
- Rated voltage 250 V + 400 V
- Number of poles: 15, 25, 40, 64 / 10, 16, 32





REVOS POWER

Combination of power and control contacts in confined spaces.

- Connection technology: Screw and crimp connection
- Rated current up to 100 A
- Rated voltage up to 690 V



REVOS FLEX

Modular design for supply, signal, bus, pneumatic and fiber optic lines.

- Connection technology: Screw, spring-cage and crimp connection
- Rated current up to 150 A
- Rated voltage up to 5.5 kV



REVOS MODULAR

Modular industrial connectors for power, signal + communication.

- Connection technology: Screw, axial, spring-cage and crimp connection
- Rated current up to 40 A
- Rated voltage up to 830 V
- Number of poles: up to 20-pole

REVOS MINI · CONTACT INSERTS

Screw connection



3-pole + ground



4-pole + ground



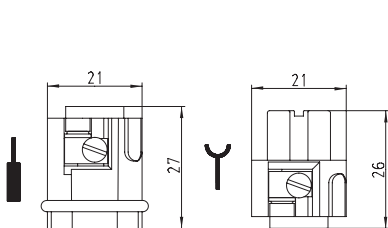
Description	Type	Part No.	P.U.
Contact inserts revos MINI	3-pole + ground		
Male insert	MIN STS 3 2,5 40	73.310.0353.0	10
Female insert	MIN BUS 3 2,5 40	73.300.0353.0	10
Contact inserts revos MINI	4-pole + ground		
Male insert	MIN STS 4 2,5 40 AG	73.310.0453.0	10
Female insert	MIN BUS 4 2,5 40 AG	73.300.0453.0	10
TECHNICAL DATA		3-pole + ground	4-pole + ground
Rated voltage			
Installed in a plastic housing	400 V		
Installed in a metal housing	L-PE 250 V / L-L 400 V	400 V	
Rated voltage according to UL/CSA	600 V		
Rated impulse voltage			
Plastic housing	4 kV		
Metal housing	4 kV		
Rated current	10 A		
Degree of pollution	3		
Rated cross section			
EN 60999	0.5 – 2.5 mm ²		
Contacts			
Material	Copper alloy		
Surface	Sn	Ag	
Insulation strip length	4 mm		
Contact resistance	≤ 2 mΩ	≤ 1.5 mΩ	
Mating cycles	50	200	
Screws		head design / recomm. torque	
Mounting screws	M3 / 0.5 – 0.7 Nm		
Clamping screws	M3 / 0.5 – 0.7 Nm		
Ground conductor screws	M3 / 0.5 – 0.7 Nm		
Temperature range	-40 °C...+120 °C		

Housing revos MINI

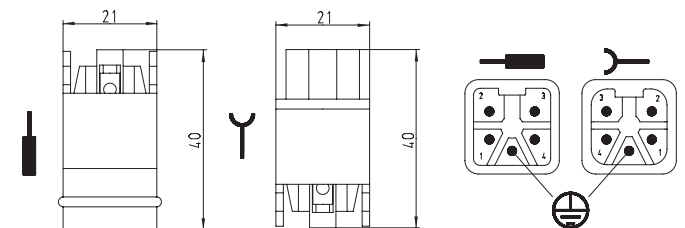
Page 150–155

DIMENSIONS

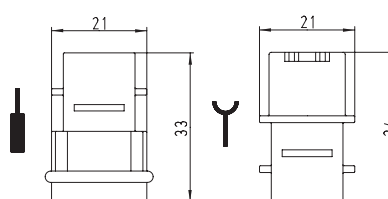
3-pole + ground



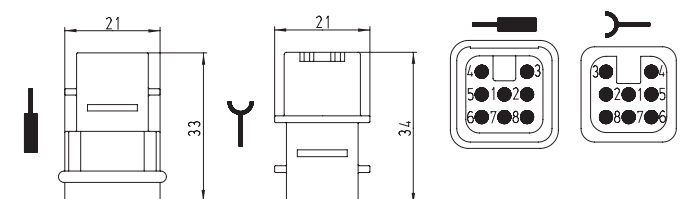
4-pole + ground



7-pole + ground



8-pole



REVOS MINI · CONTACT INSERTS

With stamped contacts, crimp connection



7-pole + ground



8-pole



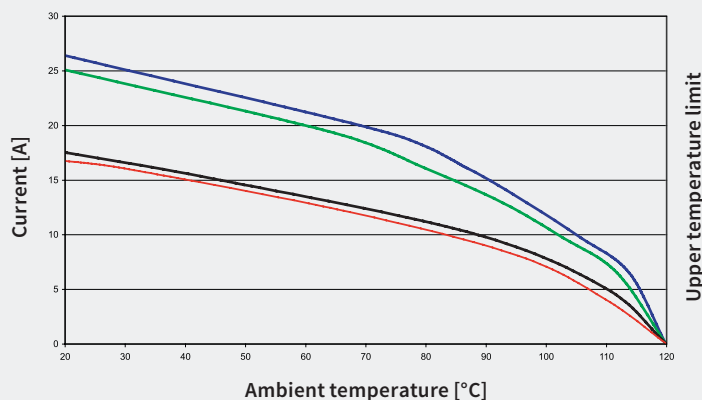
Description	Type	Part No.	P.U.
Contact inserts revos MINI			
7-pole + ground			
Male insert without crimp contacts	MIN STC 7 25	73.710.0753.0	10
Female insert without crimp contacts	MIN BUC 7 25	73.700.0753.0	10
Contact inserts revos MINI			
8-pole			
Male insert without crimp contacts	MIN STC 8 05	73.710.0853.0	10
Female insert without crimp contacts	MIN BUC 8 05	73.700.0853.0	10
Contacts for crimp version			
	mm ² / AWG		
Male reel contacts, Sn	0.75 – 1.5 / 18-16	05.544.1000.0	5000
Female reel contacts, Sn	0.75 – 1.5 / 18-16	02.124.1000.0	5000
Male single contacts, Sn	0.2 – 0.56 / 24-20	05.544.0929.0	200
Female single contacts, Sn	0.2 – 0.56 / 24-20	02.124.0929.0	200
Male single contacts, Sn	0.75 – 1.5 / 18-16	05.544.1029.0	200
Female single contacts, Sn	0.75 – 1.5 / 18-16	02.124.1029.0	200
Male reel contacts, Au	0.5 – 1.5 / 20-16	05.544.1400.0	5000
Female reel contacts, Au	0.5 – 1.5 / 20-16	02.124.1400.0	5000
Male single contacts, Au	0.5 – 1.5 / 20-16	05.544.1429.0	200
Female single contacts, Au	0.5 – 1.5 / 20-16	02.124.1429.0	200
TECHNICAL DATA			
	7-pole + ground	8-pole	
Rated voltage			
Installed in a plastic housing	250 V	50 V	
Installed in a metal housing	50 V	50 V	
Rated voltage according to UL/CSA	600 V (Metal housing 42 V)	42 V	
Rated impulse voltage			
Plastic housing	4 kV	0.8 kV	
Metal housing	0.8 kV		
Rated current	10 A		
Degree of pollution	3		
Rated cross section			
EN 60999	0.2 – 1.5 mm ²		
Contacts			
Material	Copper alloy		
Surface	Au or SN		
Insulation strip length	4 mm		
Contact resistance	4 mΩ		
Mating cycles	Sn 50 / Au 500		
Screws			
Mounting screws	head design / recomm. torque		
Clamping screws	M3 / 0.5 – 0.7 Nm		
Ground conductor screws	-		
Temperature range	-40 °C... +120 °C		
ACCESSORIES			
	Type	Part No.	P.U.
Crimping tool		95.101.0800.0	1
Crimping die	"E"	05.502.2400.0	1
Contact positioner	"2"	05.502.3200.0	1
Extraction tool		05.502.0000.0	1
Housing revos MINI		Page 150–155	



DERATING CURVE according to IEC 60512 sec. 3

revos MINI
10 A / 2.5 mm² / 1.5 mm²

- 3-pole
- 4-pole
- 7-pole
- 8-pole



REVOS MINI · CONTACT INSERTS

With turned contacts, crimp connection



7-pole + ground

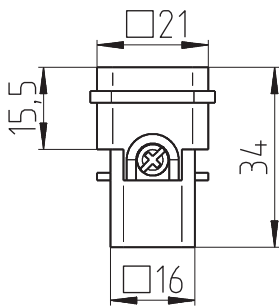


Description	Type	Part No.	P.U.
Contact inserts revos MINI			
7-pole + ground			
Male insert without crimp contacts	MIN STC KG 7 25	73.715.0753.0	10
Female insert without crimp contacts	MIN BUC KG 7 25	73.705.0753.0	10
Contact inserts revos MINI			
8-pole			
Male insert without crimp contacts	MIN STC KG 8 05	73.715.0853.0	10
Female insert without crimp contacts	MIN BUC KG 8 05	73.705.0853.0	10
Contacts for crimp version			
	mm ² / AWG, turned \varnothing 1.6 mm		
Male insert	0.14-0.37 / 26-22	05.544.4129.x	100
Female insert	0.14-0.37 / 26-22	02.125.4129.x	100
Male insert	0.5 / 20	05.544.4229.x	100
Female insert	0.5 / 20	02.125.4229.x	100
Male insert	0.75 - 1.0 / 18	05.544.4329.x	100
Female insert	0.75 - 1.0 / 18	02.125.4329.x	100
Male insert	1.5 / 16	05.544.4449.x	100
Female insert	1.5 / 16	02.125.4429.x	100
Male insert	2.5 / 14	05.544.4529.x	100
Female insert	2.5 / 14	02.125.4529.x	100
Surface	silver-plated x = 8 / gold-plated x = 7		
TECHNICAL DATA			
Rated voltage			
Installed in a plastic housing	250 V	50 V	
Installed in a metal housing	50 V	50 V	
Rated voltage according to UL	600 V (Metal housing 42 V)	42 V	
Rated impulse voltage			
Plastic housing	2.5 kV		
Metal housing	2.5 kV		
Rated current	10 A		
Degree of pollution	3		
Rated cross section			
EN 60999	0.14 - 2.5 mm ²		
Contacts			
Material	Kupferlegierung		
Surface	Ag, Au		
Insulation strip length	8 mm		
Contact resistance	\leq 2 m Ω		
Mating cycles	200		
Screws			
	head design / recomm. torque		
Mounting screws	M3 / 0.5 - 0.7 Nm		
Clamping screws	-		
Ground conductor screws	-		
Temperature range	-40 °C...+100 °C, short-term 125 °C		
ACCESSORIES			
	Type	Part No.	P.U.
Crimping tool		95.101.0800.0	1
Crimping die	"B"	05.502.2100.0	1
Contact positioner	"1"	05.502.3100.0	1
Extraction tool		05.502.0710.0	1
Housing revos MINI		Page 150-155	

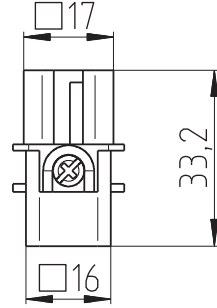
DIMENSIONS

7-pole + ground and 8-pole

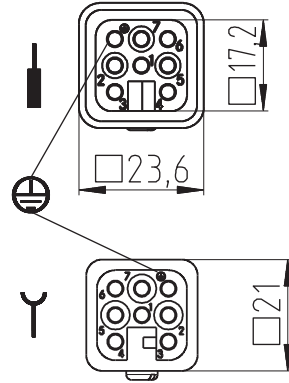
Male insert



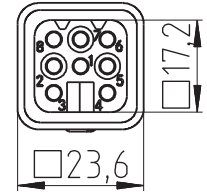
Female insert



Pole image 7-pole



Pole image 8-pole



REVOS MINI · CONTACT INSERTS

Crimp connection



5-pole + ground

Description	Type	Part No.	P.U.
Contact inserts revos MINI			
5-pole + ground			
Male insert without crimp contacts	MIN STC 5 25 AG	73.710.0553.0	10
Female insert without crimp contacts	MIN BUC 5 25 AG	73.700.0553.0	10
Contacts for crimp version			
	mm ² / AWG, turned ø 2.5 mm		
Male insert	0.5 / 20	05.543.70xx.0	200
Female insert	0.5 / 20	02.123.70xx.0	200
Male insert	0.75 - 1 / 18	05.543.71xx.0	200
Female insert	0.75 - 1 / 18	02.123.71xx.0	200
Male insert	1.5 / 16	05.543.72xx.0	200
Female insert	1.5 / 16	02.123.72xx.0	200
Male insert	2.5 / 14	05.543.73xx.0	200
Female insert	2.5 / 14	02.123.73xx.0	200
Male insert	4 / 12	05.543.74xx.0	200
Female insert	4 / 12	02.123.74xx.0	200
Surface	silver-plated xx = 02 / gold-plated xx = 01		

TECHNICAL DATA

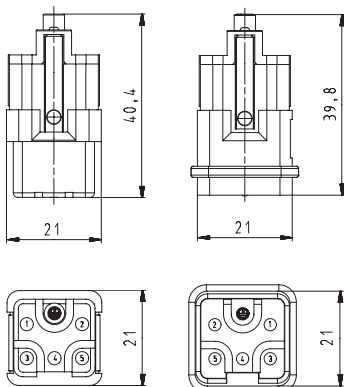
Rated voltage	
Installed in a plastic housing	L-PE 250 V / L-L 400 V
Installed in a metal housing	L-PE 250 V / L-L 400 V
Rated voltage according to UL/CSA	600 V
Rated impulse voltage	
Plastic housing	6 kV
Metal housing	6 kV
Rated current	16 A
Degree of pollution	3
Rated cross section	
EN 60999	0,5 - 4 mm ² , PE: 2,5 mm ²
Contacts	
Material	Kupferlegierung
Surface	Au oder Ag
Mating cycles	200
Screws	
head design / recomm. torque	
Mounting screws	M3 / 0,5 - 0,7 Nm
Clamping screws	-
Ground conductor screws	M3 / 0,5 - 0,7 Nm
Temperature range	-40 °C...+120 °C

ACCESSORIES	Type	Part No.	P.U.
Crimping tool		95.101.0800.0	1
Crimping die	"B"	05.502.2100.0	1
Contact positioner	"3"	05.502.3300.0	1
Extraction tool		05.502.3500.0	1

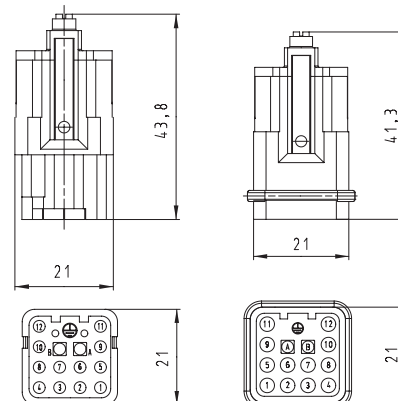
Housing revos MINI Page 150-155

DIMENSIONS

5-pole + ground

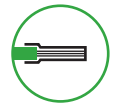


12-pole + ground



REVOS MINI · CONTACT INSERTS

Crimp connection



12-pole + ground

Coding piece

Testing potentials see page 294



Triangle jumper



If the triangle jumper is used, the high version of the housing upper part is required (76.362.0736.x/see p. 152)

Description	Type	Part No.	P.U.
Contact inserts revos MINI			
12-pole + ground			
Male insert without crimp contacts	MIN STC 12 40AG	73.710.1253.0	10
Female insert without crimp contacts	MIN BUC 12 40AG	73.700.1253.0	10
Contacts for crimp version			
	mm ² / AWG, turned ø 1.6 mm		
Male insert	0.14 – 0.37 / 26 – 22	05.544.4129.x	100
Female insert	0.14 – 0.37 / 26 – 22	02.125.4129.x	100
Male insert	0.5 / 20	05.544.4229.x	100
Female insert	0.5 / 20	02.125.4229.x	100
Male insert	0.75 – 1.0 / 18	05.544.4329.x	100
Female insert	0.75 – 1.0 / 18	02.125.4329.x	100
Male insert	1.5 / 16	05.544.4429.x	100
Female insert	1.5 / 16	02.125.4429.x	100
Male insert	2.5 / 14	05.544.4529.x	100
Female insert	2.5 / 14	02.125.4529.x	100
Surface	silver-plated x = 8 / gold-plated x = 7		
LWL POF Contacts Ø 1.6 mm			
Male insert		05.544.8121.0	5
Female insert		02.125.2421.0	5

TECHNICAL DATA

Rated voltage

Installed in a plastic housing	L-PE 400 V / L-L 690 V
Installed in a metal housing	L-PE 400 V / L-L 690 V
Rated voltage according to UL/CSA	600 V

Rated impulse voltage

Plastic housing	4 kV
Metal housing	4 kV
Rated current	10 A (UL/CSA 14 A)
Degree of pollution	3

Rated cross section

EN 60999	0.14 – 2.5 mm ² , PE: 2.5 mm ²
----------	--

Contacts

Material	Copper alloy
Surface	Au oder Ag
Mating cycles	200

Screws

	head design / recomm. torque
Mounting screws	M3 / 0,5 – 0,7 Nm
Clamping screws	–
Ground conductor screws	M3 / 0,5 – 0,7 Nm
Temperature range	-40 °C...+120 °C

ACCESSORIES	Type	Part No.	P.U.
Crimping tool		95.101.0800.0	1
Crimping die	“B”	05.502.2100.0	1
Contact positioner	“1”	05.502.3100.0	1
Extraction tool		05.502.0710.0	1
Set of tools for optical fiber POF contacts		95.101.2000.0	1
Coding piece	MIN KOD 12	05.568.0353.0	20
Star jumper	MIN BR ST 12 BU	Z7.280.4327.0	5
Triangle jumper	MIN BR DR 12 BU	Z7.280.4227.0	5

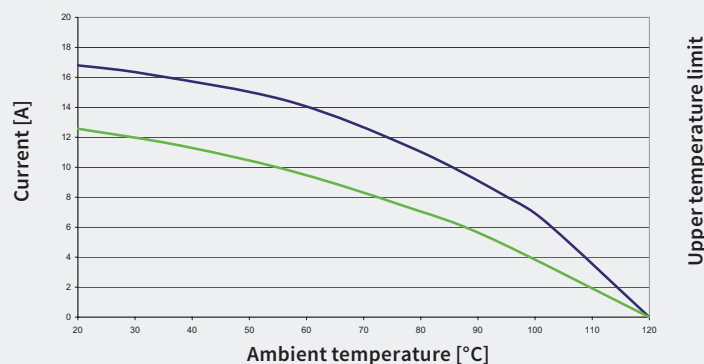
Housing revos MINI

Page 150–155

DERATING CURVE according to IEC 60512 sec. 3 revos MINI

wire size 1.5 mm²

- 5-pole
- 12-pole



REVOS BASIC · 500 V CONTACT INSERTS

Screw connection



6-pole + ground
Size 6



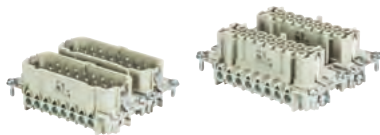
10-pole + ground
Size 10



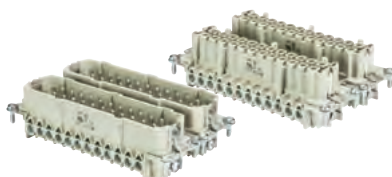
16-pole + ground
Size 16



24-pole + ground
Size 24



32-pole + ground
Size 32



48-pole + ground
Size 48

* Preparation of the wire required:
ferrule, ultrasonic welding for
flexible cables

Description	Type	Part No.	P.U.
Contact inserts revosBASIC 500 V 6-pole + ground			
Male insert with wire protection, Sn	BAS STS 6 2,5 50	70.310.0640.0	10
Male insert with wire protection, Ag	BAS STS 6 2,5 50 AG	70.310.0602.0	10
Male insert with wire protection, Au	BAS STS 6 2,5 50 AU	70.311.0640.0	10
Male insert without wire protection, Sn*	BAS STS OD 6 2,5 50	70.312.0640.0	10
Female insert with wire protection, Sn	BAS BUS 6 2,5 50	70.300.0640.0	10
Female insert with wire protection, Ag	BAS BUS 6 2,5 50 AG	70.300.0602.0	10
Female insert with wire protection, Au	BAS BUS 6 2,5 50 AU	70.301.0640.0	10
Female insert without wire protection, Sn*	BAS BUS OD 6 2,5 50	70.302.0640.0	10
Contact inserts revosBASIC 500 V 10-pole + ground			
Male insert with wire protection, Sn	BAS STS 10 2,5 50	70.310.1040.0	10
Male insert with wire protection, Ag	BAS STS 10 2,5 50 AG	70.310.1002.0	10
Male insert with wire protection, Au	BAS STS 10 2,5 50 AU	70.311.1040.0	10
Male insert without wire protection, Sn*	BAS STS OD 10 2,5 50	70.312.1040.0	10
Female insert with wire protection, Sn	BAS BUS 10 2,5 50	70.300.1040.0	10
Female insert with wire protection, Ag	BAS BUS 10 2,5 50 AG	70.300.1002.0	10
Female insert with wire protection, Au	BAS BUS 10 2,5 50 AU	70.301.1040.0	10
Female insert without wire protection, Sn*	BAS BUS OD 10 2,5 50	70.302.1040.0	10
Contact inserts revosBASIC 500 V 16-pole + ground			
Male insert with wire protection, Sn	BAS STS 16 2,5 50	70.310.1640.0	10
Male insert with wire protection, Ag	BAS STS 16 2,5 50 AG	70.310.1602.0	10
Male insert with wire protection, Au	BAS STS 16 2,5 50 AU	70.311.1640.0	10
Male insert without wire protection, Sn*	BAS STS OD 16 2,5 50	70.312.1640.0	10
Female insert with wire protection, Sn	BAS BUS 16 2,5 50	70.300.1640.0	10
Female insert with wire protection, Ag	BAS BUS 16 2,5 50 AG	70.300.1602.0	10
Female insert with wire protection, Au	BAS BUS 16 2,5 50 AU	70.301.1640.0	10
Female insert without wire protection, Sn*	BAS BUS OD 16 2,5 50	70.302.1640.0	10
Contact inserts revosBASIC 500 V 24-pole + ground			
Male insert with wire protection, Sn	BAS STS 24 2,5 50	70.310.2440.0	10
Male insert with wire protection, Ag	BAS STS 24 2,5 50 AG	70.310.2402.0	10
Male insert with wire protection, Au	BAS STS 24 2,5 50 AU	70.311.2440.0	10
Male insert without wire protection, Sn*	BAS STS OD 24 2,5 50	70.312.2440.0	10
Female insert with wire protection, Sn	BAS BUS 24 2,5 50	70.300.2440.0	10
Female insert with wire protection, Ag	BAS BUS 24 2,5 50 AG	70.300.2402.0	10
Female insert with wire protection, Au	BAS BUS 24 2,5 50 AU	70.301.2440.0	10
Female insert without wire protection, Sn*	BAS BUS OD 24 2,5 50	70.302.2440.0	10
Contact inserts revosBASIC 500 V 32-pole + ground			
Male insert with wire protection, Sn, marked 1-16, 17-32	BAS STS 32 2,5 50	70.310.3253.0	5
Male insert with wire protection, Ag, marked 1-16, 17-32	BAS STS 32 2,5 50 AG	70.310.3202.0	5
Female insert with wire protection, Sn, marked 1-16, 17-32	BAS BUS 32 2,5 50	70.300.3253.0	5
Female insert with wire protection, Ag, marked 1-16, 17-32	BAS BUS 32 2,5 50 AG	70.300.3202.0	5
Contact inserts revosBASIC 500 V 48-pole + ground			
Male insert with wire protection, Sn, marked 1-24, 25-48	BAS STS 48 2,5 50	70.310.4840.0	5
Female insert with wire protection, Sn, marked 1-24, 25-48	BAS BUS 48 2,5 50	70.300.4840.0	5

TECHNICAL DATA

Rated voltage	500 V
Rated voltage according to UL/CSA	600 V
Rated impulse voltage	6 kV
Rated current	16 A
Degree of pollution	3

Rated cross section

EN 60999	0.5 – 2.5 mm ²
----------	---------------------------

Contacts

Material	Copper alloy
Surface	Sn, Ag, Au
Insulation strip length	7 mm
Contact resistance	≤ 1.5 mΩ
Mating cycles	50

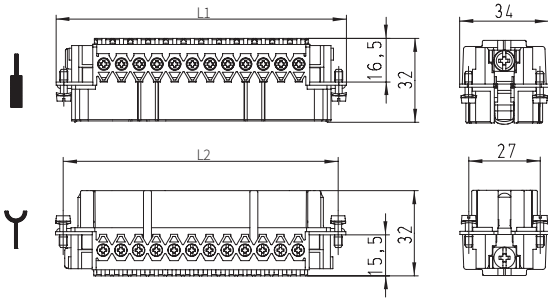
Screws

	head design / recomm. torque
Mounting screws	H1 / 0.5 – 0.7 Nm
Clamping screws	H1 / 0.5 – 0.7 Nm
Ground conductor screws	H2 / 1.2 – 1.6 Nm
Temperature range	-40 ... +120 °C

Housing revosBASIC / revosBASIC M	Type	Page
Size	6/6H	156–163, 228–229, 232–235
Size	10/10H	164–181, 228–230, 236–239
Size	16/16H	182–201, 228–229, 240–243
Size	24/24H	202–221, 228–229, 244–247
Size	32	222–223
Size	48	224–227

DIMENSIONS

6-pole + ground - 24-pole + ground

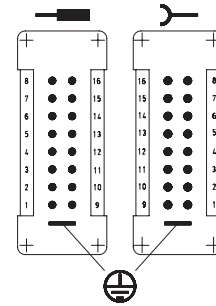
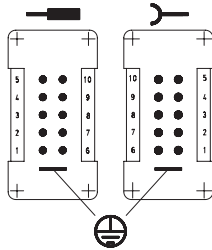
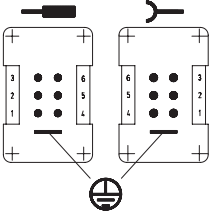


Number of poles	L1 [mm]	L2 [mm]
6	50.5	44.0
10	63.0	57.0
16	83.0	77.5
24	110.8	104.0

6-pole + ground

10-pole + ground

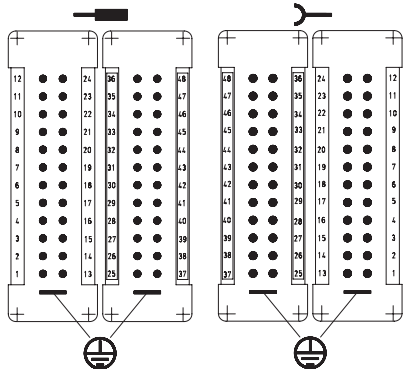
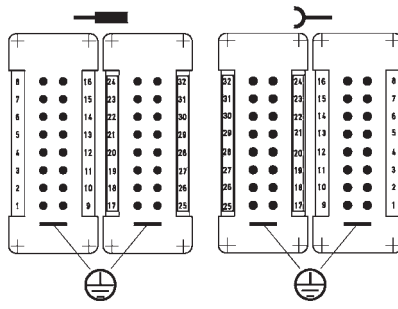
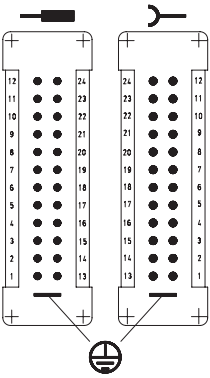
16-pole + ground



24-pole + ground

32-pole + ground

48-pole + ground

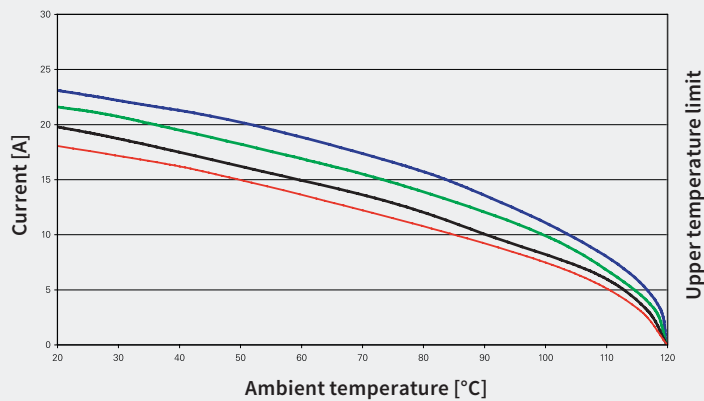


DERATING CURVE according to IEC 60512 sec. 3

revosBASIC

Screw version 500 V / 16 A / 2.5 mm²

- 6-pole
- 10-pole
- 16-pole
- 24-pole



REVOS BASIC · 500 V CONTACT INSERTS

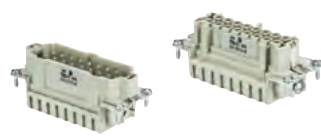
Spring clamp connection



6-pole + ground
Size 6



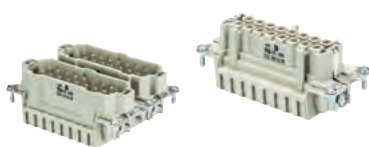
10-pole + ground
Size 10



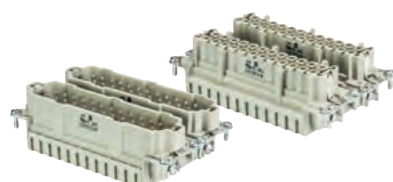
16-pole + ground
Size 16



24-pole + ground
Size 24



32-pole + ground
Size 32



48-pole + ground
Size 48

Description	Type	Part No.	P.U.
Contact inserts revosBASIC 500 V			
6-pole + ground			
Male insert	BAS STF 6 2,5 50	70.510.0653.0	10
Female insert	BAS BUF 6 2,5 50	70.500.0653.0	10
Contact inserts revosBASIC 500 V			
10-pole + ground			
Male insert	BAS STF 10 2,5 50	70.510.1053.0	10
Female insert	BAS BUF 10 2,5 50	70.500.1053.0	10
Contact inserts revosBASIC 500 V			
16-pole + ground			
Male insert	BAS STF 16 2,5 50	70.510.1653.0	10
Female insert	BAS BUF 16 2,5 50	70.500.1653.0	10
Contact inserts revosBASIC 500 V			
24-pole + ground			
Male insert	BAS STF 24 2,5 50	70.510.2453.0	10
Female insert	BAS BUS 24 2,5 50	70.500.2453.0	10
Contact inserts revosBASIC 500 V			
32-pole + ground			
Male insert, marked 1-16, 17-32	BAS STF 32 2,5 50	70.510.3253.0	5
Female insert, marked 1-16, 17-32	BAS BUF 32 2,5 50	70.500.3253.0	5
Contact inserts revosBASIC 500 V			
48-pole + ground			
Male insert, marked 1-24, 25-48	BAS STF 48 2,5 50	70.510.4853.0	5
Female insert, marked 1-24, 25-48	BAS BUF 48 2,5 50	70.500.4853.0	5

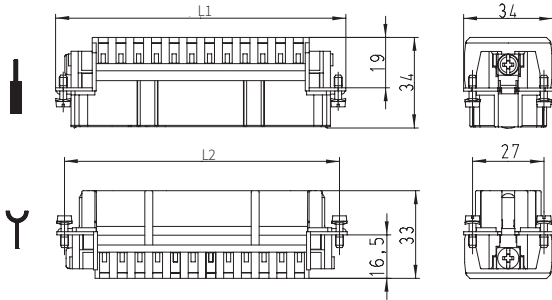
TECHNICAL DATA	
Rated voltage	500 V
Rated voltage according to UL/CSA	600 V
Rated impulse voltage	6 kV
Rated current	16 A
Degree of pollution	3
Rated cross section	
EN 60999	0.14 – 2.5 mm ²
Contacts	
Material	Copper alloy
Surface	Ag
Insulation strip length	7 mm
Contact resistance	≤ 3 mΩ
Mating cycles	500
Screws	
Mounting screws	head design / recomm. torque
Clamping screws	H1 / 0.5 – 0.7 Nm
Ground conductor screws	-
Temperature range	H2 / 1.2 – 1.6 Nm
	-40 °C...+120 °C

ACCESSORIES	Type	Part No.	P.U.
Screwdriver blade	DIN 5264 A 0,6 x 3,5	06.502.4000.0	5

Housing revosBASIC / revosBASIC M	Type	Page
Size	6/6H	156–163, 228–229, 232–235
Size	10/10H	164–181, 228–230, 236–239
Size	16/16H	182–201, 228–229, 240–243
Size	24/24H	202–221, 228–229, 244–247
Size	32	222–223
Size	48	224–227

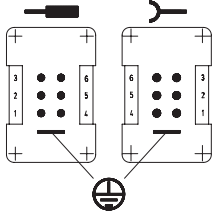
DIMENSIONS

6-pole + ground – 24-pole + ground

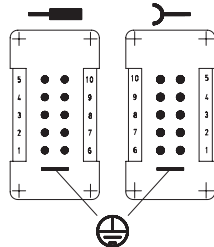


Number of poles	L1 [mm]	L2 [mm]
6	50.0	44.0
10	63.0	57.0
16	83.0	77.5
24	110.0	104.0

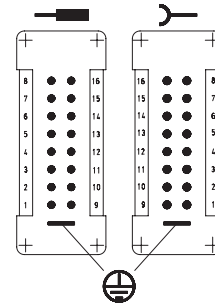
6-pole + ground



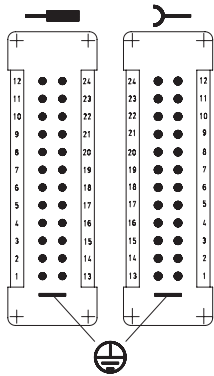
10-pole + ground



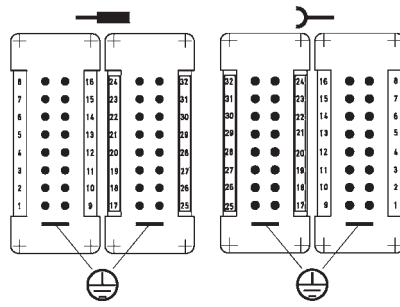
16-pole + ground



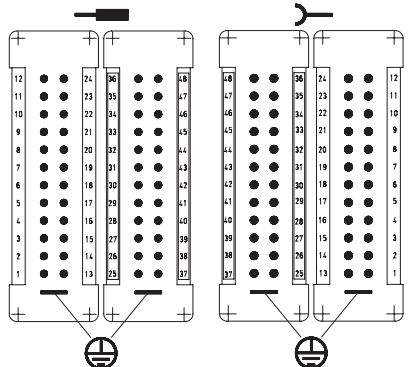
24-pole + ground



32-pole + ground



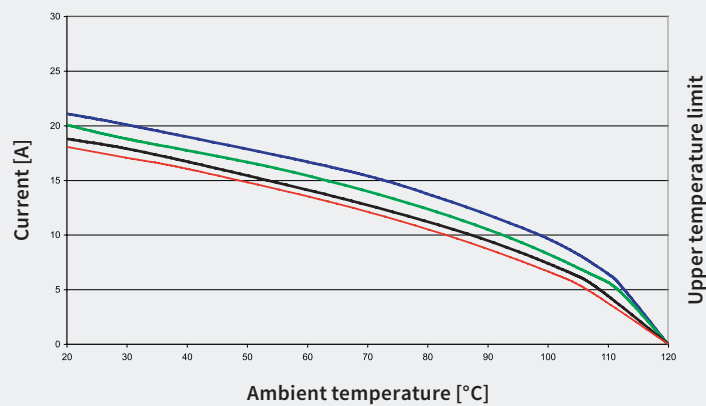
48-pole + ground



DERATING CURVE according to IEC 60512 sec. 3

revosBASIC
Spring version
500 V / 16 A / 2.5 mm²

- 6-pole
- 10-pole
- 16-pole
- 24-pole



REVOS BASIC · 500 V CONTACT INSERTS

Double spring clamp connection



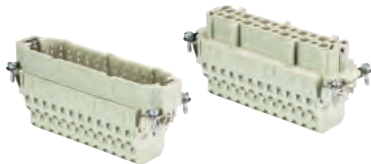
6-pole + ground
Size 6H



10-pole + ground
Size 10H



16-pole + ground
Size 16H



24-pole + ground
Size 24H

Description	Type	Part No.	P.U.
Contact inserts revosBASIC 500 V			
6-pole + ground			
Male insert	BAS STM 6 2,5 50 AG	70.512.0653.0	1
Female insert	BAS BUM 6 2,5 50 AG	70.502.0653.0	1
Contact inserts revosBASIC 500 V			
10-pole + ground			
Male insert	BAS STM 10 2,5 50 AG	70.512.1053.0	1
Female insert	BAS BUM 10 2,5 50 AG	70.502.1053.0	1
Contact inserts revosBASIC 500 V			
16-pole + ground			
Male insert	BAS STM 16 2,5 50 AG	70.512.1653.0	1
Female insert	BAS BUM 16 2,5 50 AG	70.502.1653.0	1
Contact inserts revosBASIC 500 V			
24-pole + ground			
Male insert	BAS STM 24 2,5 50 AG	70.512.2453.0	1
Female insert	BAS BUM 24 2,5 50 AG	70.502.2453.0	1

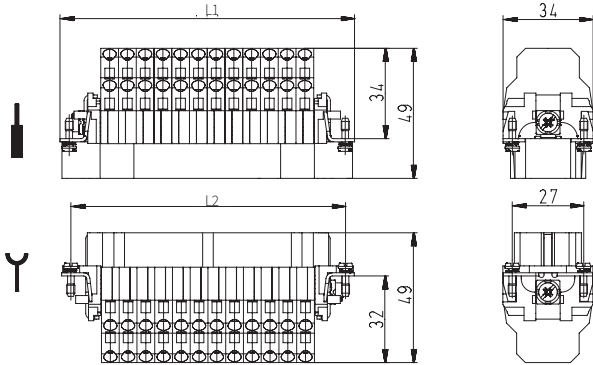
TECHNICAL DATA	
Rated voltage	500 V
Rated voltage according to UL/CSA	600 V
Rated impulse voltage	6 kV
Rated current	16 A
Rated current (cURus) 6-pole	13 A
Rated current (cURus) 10/16/24-pole	10 A
Degree of pollution	3
Rated cross section	
EN 60999	0.14 – 2.5 mm ²
Contacts	
Material	Copper alloy
Surface	Ag
Insulation strip length	9 – 11 mm
Contact resistance	≤ 3 mΩ
Mating cycles	500
Screws	
	head design / recomm. torque
Mounting screws	H1 / 0.5 – 0.7 Nm
Clamping screws	-
Ground conductor screws	H2 / 1.2 – 1.6 Nm
Temperature range	-40 °C...+120 °C

ACCESSORIES	Type	Part No.	P.U.
Screwdriver blade	DIN 5264 A 0,6 x 3,5	06.502.4000.0	5

Housing revosBASIC	Type	Page
Size	6H	158, 162, 228–229
Size	10H	166, 170, 228–229
Size	16H	184, 188, 194–197, 200–201, 228–229
Size	24H	204, 208, 214–217

DIMENSIONS

6-pole + ground – 24-pole + ground



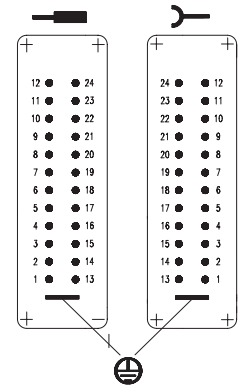
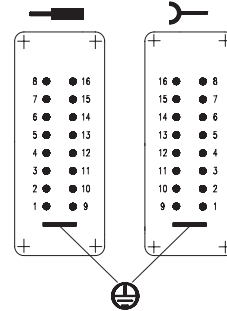
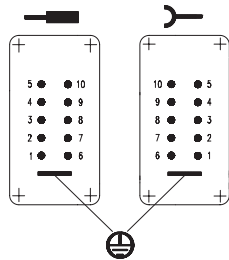
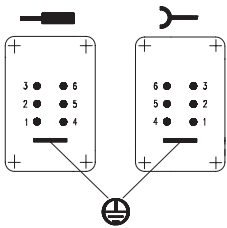
Number of poles	L1 [mm]	L2 [mm]
6	44.0	44.0
10	64.0	57.0
16	84.5	77.5
24	111.0	104.0

6-pole + ground

10-pole + ground

16-pole + ground

24-pole + ground



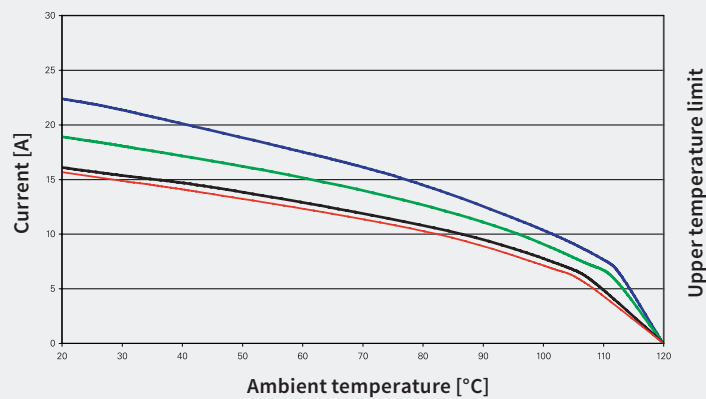
DERATING CURVE according to IEC 60512 sec. 3

revosBASIC

Spring version with double connection

500 V / 16 A / 2.5 mm²

- 6-pole
- 10-pole
- 16-pole
- 24-pole



REVOS BASIC · 500 V CONTACT INSERTS

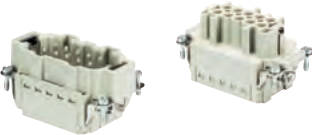
Push-in connection



UL US  pending



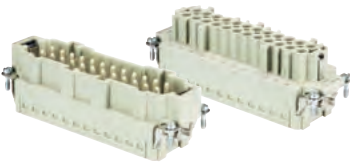
6-pole + ground
Size 6



10-pole + ground
Size 10



16-pole + ground
Size 16



24-pole + ground
Size 24

Description	Type	Part No.	P.U.
Contact inserts revosBASIC 500 V			
6-pole + ground			
Male insert	BAS STP 6 2,5 50 AG	70.415.0653.0	1
Female insert	BAS BUP 6 2,5 50 AG	70.405.0653.0	1
Contact inserts revosBASIC 500 V			
10-pole + ground			
Male insert	BAS STP 10 2,5 50 AG	70.415.1053.0	1
Female insert	BAS BUP 10 2,5 50 AG	70.405.1053.0	1
Contact inserts revosBASIC 500 V			
16-pole + ground			
Male insert	BAS STP 16 2,5 50 AG	70.415.1653.0	1
Female insert	BAS BUP 16 2,5 50 AG	70.405.1653.0	1
Contact inserts revosBASIC 500 V			
24-pole + ground			
Male insert	BAS STP 24 2,5 50 AG	70.415.2453.0	1
Female insert	BAS BUP 24 2,5 50 AG	70.405.2453.0	1

TECHNICAL DATA

Rated voltage	500 V
Rated voltage according to UL/CSA	600 V
Rated impulse voltage	6 kV
Rated current	16 A (UL, CSA 10 A)
Degree of pollution	3

Rated cross section	
EN 60999	0,14 – 2,5 mm ²

Can be used with solid wires and flexible wires with wire end sleeves

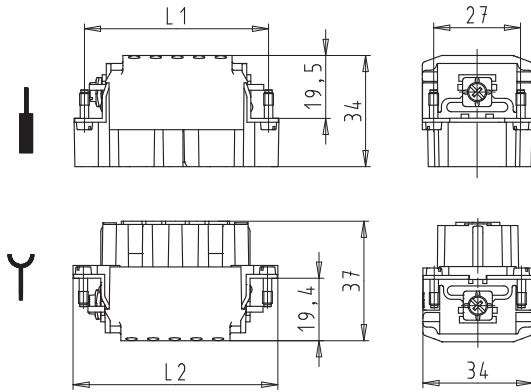
Contacts	
Material	Copper alloy
Surface	Ag
Insulation strip length	8 – 10 mm
Contact resistance	≤ 5 mΩ
Mating cycles	500
Screws	head design / recomm. torque
Mounting screws	H1 / 0.5 Nm
Clamping screws	-
Ground conductor screws	H2 / 1.2 Nm
Temperature range	-40 °C...+120 °C

ACCESSORIES	Type	Part No.	P.U.
Screwdriver blade	ST 2 / 2.3 ROT	Z5.553.2921.0	10

Housing revosBASIC / revosBASIC M	Type	Page
Size	6/6H	156–163, 228–229, 232–235
Size	10/10H	164–181, 228–230, 236–239
Size	16/16H	182–201, 228–229, 240–243
Size	24/24H	202–221, 228–229, 244–247

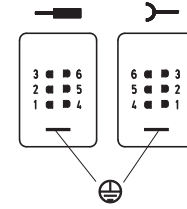
DIMENSIONS

6-pole + ground – 24-pole + ground

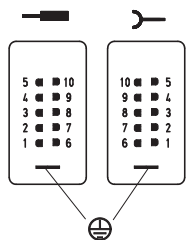


Number of poles	L1 [mm]	L2 [mm]
6	44.0	50.0
10	57.0	63.4
16	77.1	83.5
24	104.0	110.3

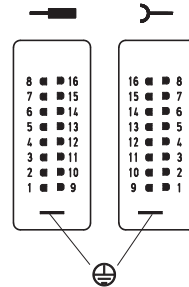
6-pole + ground



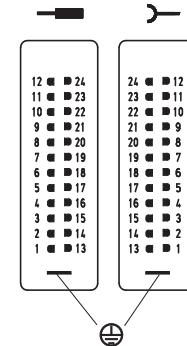
10-pole + ground



16-pole + ground



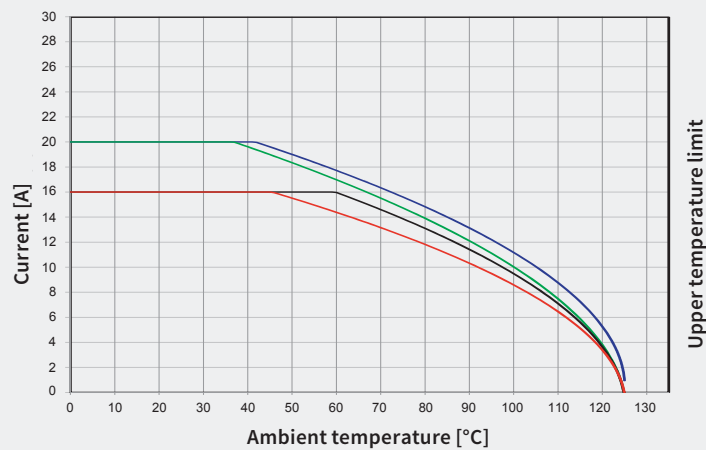
24-pole + ground



DERATING CURVE according to IEC 60512 sec. 3

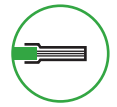
revosBASIC
Push-in Connection

- 6-pole
- 10-pole
- 16-pole
- 24-pole



REVOS BASIC · 500 V CONTACT INSERTS

Crimp connection



6-pole + ground
Size 6



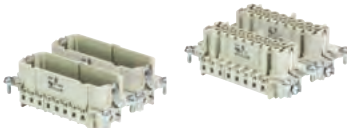
10-pole + ground
Size 10



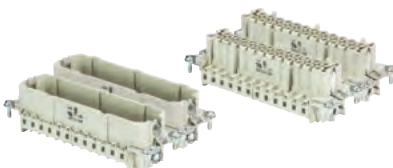
16-pole + ground
Size 16



24-pole + ground
Size 24



32-pole + ground
Size 32



48-pole + ground
Size 48

Description	Type	Part No.	P.U.
Contact inserts revos BASIC 500 V			
6-pole + ground			
Male insert	BAS STC 6 50	70.710.0658.0	10
Female insert	BAS BUC 6 50	70.700.0658.0	10
Contact inserts revos BASIC 500 V			
10-pole + ground			
Male insert	BAS STC 10 50	70.710.1058.0	10
Female inserts	BAS BUC 10 50	70.700.1058.0	10
Contact inserts revos BASIC 500 V			
16-pole + ground			
Male insert	BAS STC 16 50	70.710.1658.0	10
Female insert	BAS BUC 16 50	70.700.1658.0	10
Contact inserts revos BASIC 500 V			
24-pole + ground			
Male insert	BAS STC 24 50	70.710.2458.0	10
Female insert	BAS BUC 24 50	70.710.2458.0	10
Contact inserts revos BASIC 500 V			
32-pole + ground			
Male insert	BAS STC 32 50	70.710.3253.0	5
Female insert	BAS BUC 32 50	70.700.3253.0	5
Contact inserts revos BASIC 500 V			
48-pole + ground			
Male insert	BAS STC 48 50	70.710.4858.0	5
Female insert	BAS BUC 48 50	70.700.4858.0	5
Contacts for crimp connection			
	mm ² / AWG, turned \varnothing 2.5 mm		
Male insert	0.5 / 20	05.543.70xx.0	200
Female insert	0.5 / 20	02.123.70xx.0	200
Male insert	0.75 – 1 / 18	05.543.71xx.0	200
Female insert	0.75 – 1 / 18	02.123.71xx.0	200
Male insert	1.5 / 16	05.543.72xx.0	200
Female insert	1.5 / 16	02.123.72xx.0	200
Male insert	2.5 / 14	05.543.73xx.0	200
Female insert	2.5 / 14	02.123.73xx.0	200
Male insert	4 / 12	05.543.74xx.0	200
Female insert	4 / 12	02.123.74xx.0	200
Surface	tin-plated xx = 21 / silver-plated xx = 02 / gold-plated xx = 01		

TECHNICAL DATA

Rated voltage	500 V
Rated voltage according to UL/CSA	600 V
Rated impulse voltage	6 kV
Rated current	16 A
Degree of pollution	3

Rated cross section

EN 60999	0.5 – 4 mm ²
----------	-------------------------

Contacts

Material	Copper alloy
Surface	Sn, Ag, Au
Insulation strip length	7 mm
Contact resistance	≤ 1,5 mΩ
Mating cycles	Sn 200 / Ag, Au 500

Screws

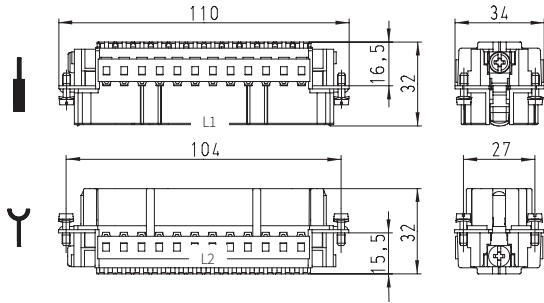
	head design / recomm. torque
Mounting screws	H1 / 0.5 – 0.7 Nm
Clamping screws	–
Ground conductor screws	H2 / 1.2 – 1.6 Nm
Temperature range	-40 °C...+120 °C

ACCESSORIES	Type	Part No.	P.U.
Crimping tool		95.101.0800.0	1
Crimping die	“B”	05.502.2100.0	1
Contact positioner	“3”	05.502.3300.0	1
Extraction tool		05.502.3500.0	1

Housing revos BASIC / revos BASIC M	Type	Page
Size	6/6H	156–163, 228–229, 232–235
Size	10/10H	164–181, 228–230, 236–239
Size	16/16H	182–201, 228–229, 240–243
Size	24/24H	202–221, 228–229, 244–247
Size	32	222–223
Size	48	224–227

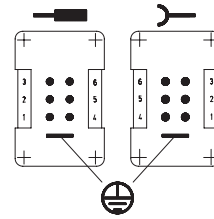
DIMENSIONS

6-pole + ground – 24-pole + ground

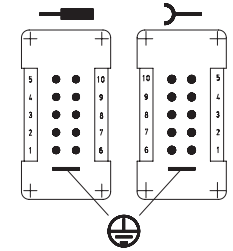


Number of poles	L1 [mm]	L2 [mm]
6	44.0	50.0
10	57.0	63.4
16	77.1	83.5
24	104.0	110.3

6-pole + ground



10-pole + ground

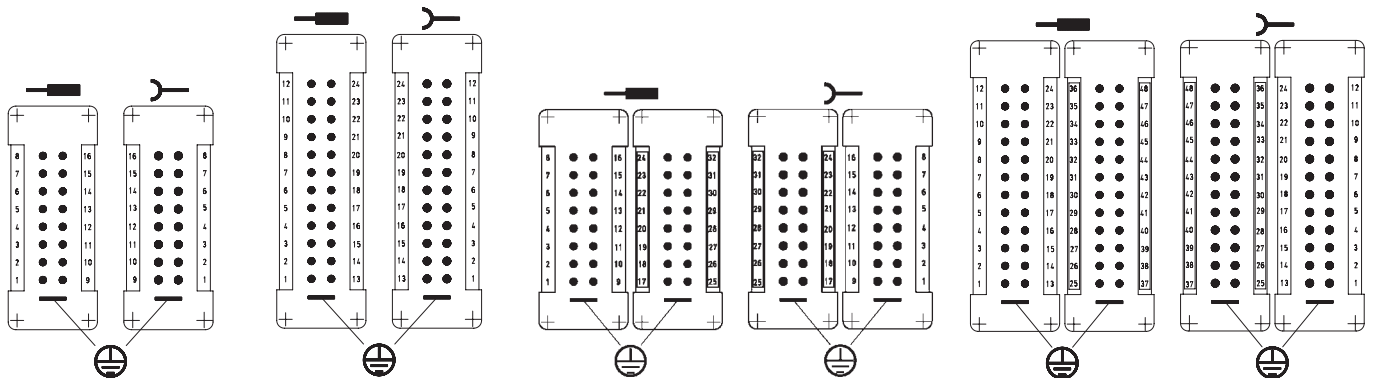


16-pole + ground

24-pole + ground

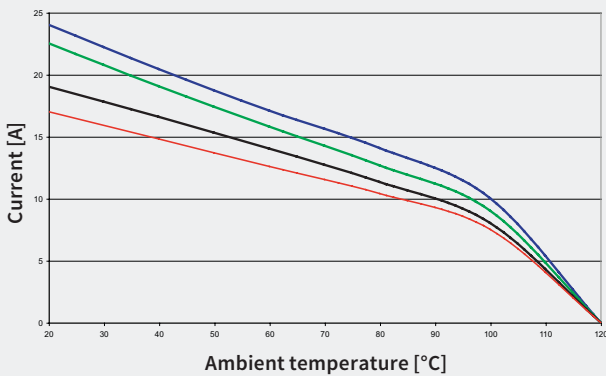
32-pole + ground

48-pole + ground



DERATING CURVE according to IEC 60512 sec. 3

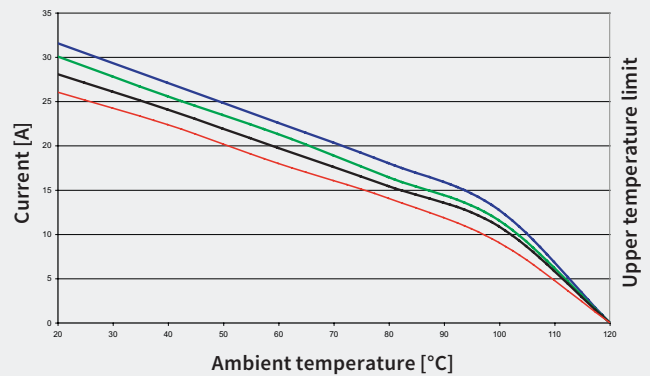
revosBASIC crimp version 500 V / 16 A / 1.5 mm²



— 6-pole — 10-pole — 16-pole — 24-pole

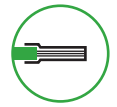
DERATING CURVE according to IEC 60512 sec. 3

revosBASIC crimp version 500 V / 16 A / 2.5 mm²

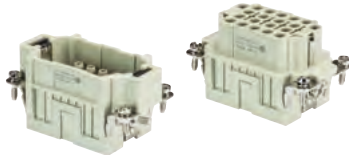


REVOS BASIC EE · 500 V CONTACT INSERTS

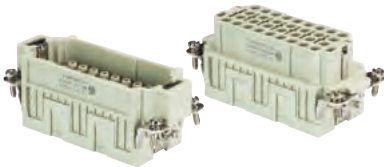
Crimp connection



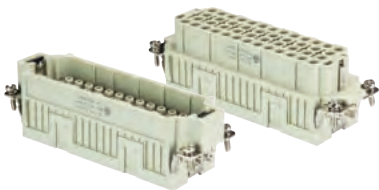
10-pole + ground
Size 6/6H



18-pole + ground
Size 10/10H



32-pole + ground
Size 16/16H

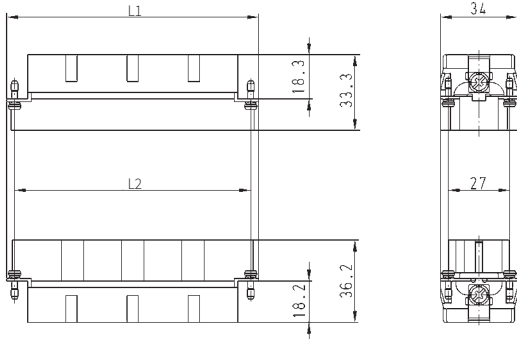


46-pole + ground
Size 24/24H

Description	Type	Part No.	P.U.
Contact inserts revos BASIC EE 500 V	10-pole + ground		
Male insert	BAS STCK 10 50	70.810.1056.0	5
Female insert	BAS BUCK10 50	70.800.1056.0	5
Contact inserts revos BASIC EE 500 V	18-pole + ground		
Male insert	BAS STCK 18 50	70.810.1856.0	5
Female inserts	BAS BUCK18 50	70.800.1856.0	5
Contact inserts revos BASIC EE 500 V	32-pole + ground		
Male insert	BAS STCK 32 50	70.810.3256.0	5
Female insert	BAS BUCK32 50	70.800.3256.0	5
Contact inserts revos BASIC EE 500 V	46-pole + ground		
Male insert	BAS STCK 46 50	70.810.4656.0	10
Female insert	BAS BUCK46 50	70.800.4656.0	10
Contacts for crimp connection	mm ² / AWG, turned ø 2.5 mm		
Male insert	0.5 / 20	05.543.70xx.0	200
Female insert	0.5 / 20	02.123.70xx.0	200
Male insert	0.75 - 1 / 18	05.543.71xx.0	200
Female insert	0.75 - 1 / 18	02.123.71xx.0	200
Male insert	1.5 / 16	05.543.72xx.0	200
Female insert	1.5 / 16	02.123.72xx.0	200
Male insert	2.5 / 14	05.543.73xx.0	200
Female insert	2.5 / 14	02.123.73xx.0	200
Male insert	4 / 12	05.543.74xx.0	200
Female insert	4 / 12	02.123.74xx.0	200
Surface	silver-plated xx = 02 / gold-plated xx = 01		
TECHNICAL DATA			
Rated voltage	500 V		
Rated voltage according to UL/CSA	600 V		
Rated impulse voltage	6 kV		
Rated current	16 A		
Degree of pollution	3		
Rated cross section			
EN 60999	0.5 - 4 mm ²		
Contacts			
Material	Copper alloy		
Surface	Ag, Au		
Insulation strip length	7 mm		
Contact resistance	≤ 1,5 mΩ		
Mating cycles	Ag, Au 500		
Screws	head design / recomm. torque		
Mounting screws	H1 / 0.5 - 0.7 Nm		
Clamping screws	-		
Ground conductor screws	H2 / 1.2 - 1.6 Nm		
Temperature range	-40 °C...+120 °C		
ACCESSORIES	Type	Part No.	P.U.
Crimping tool		95.101.0800.0	1
Crimping die	"B"	05.502.2100.0	1
Contact positioner	"3"	05.502.3300.0	1
Extraction tool		05.502.3500.0	1
Housing revos BASIC / revos BASIC M	Type	Page	
Size	6/6H	156-163, 228-229, 232-235	
Size	10/10H	164-181, 228-230, 236-239	
Size	16/16H	182-201, 228-229, 240-243	
Size	24/24H	202-221, 228-229, 244-247	

DIMENSIONS

10-pole + ground – 46-pole + ground



Number of poles	L1 [mm]	L2 [mm]
10	44.0	44.0
18	64.0	57.0
32	84.5	77.5
46	111.0	104.0

10-pole + ground

18-pole + ground

32-pole + ground

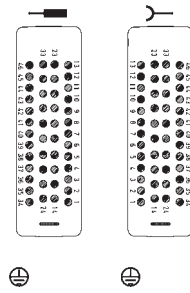
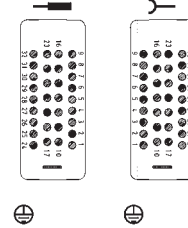
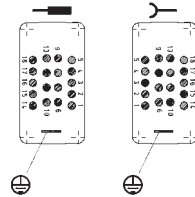
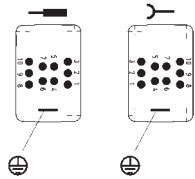
46-pole + ground

Connection side

Connection side

Connection side

Connection side

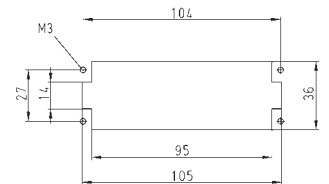
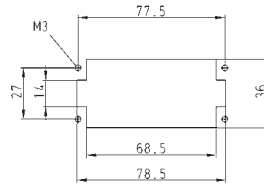
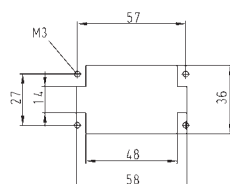
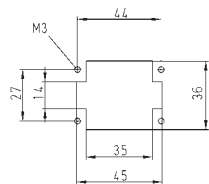


Cut-out

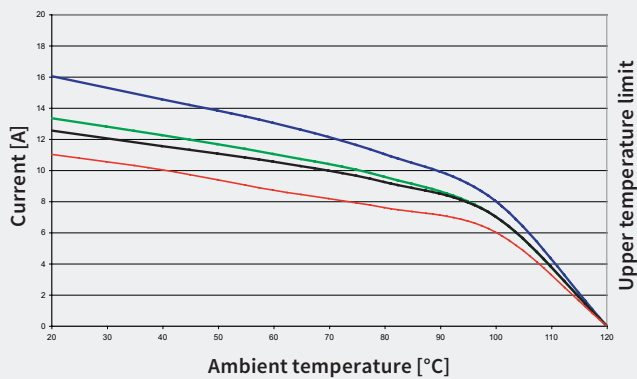
Cut-out

Cut-out

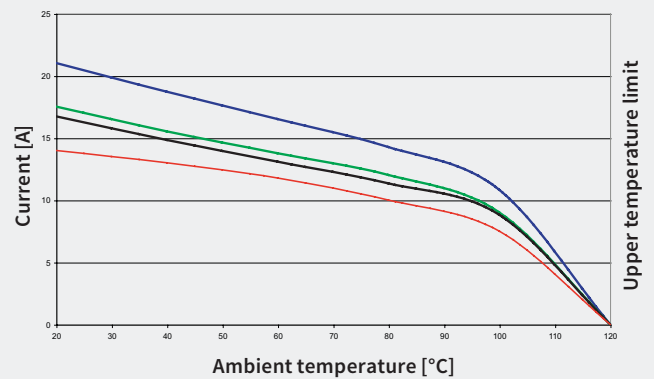
Cut-out



DERATING CURVE according to IEC 60512 sec. 3
 revosBASIC EE 500 V / 16 A / 1.5 mm²



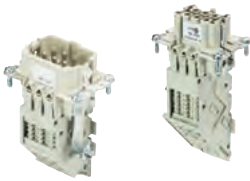
DERATING CURVE according to IEC 60512 sec. 3
 revosBASIC EE 500 V / 16 A / 2.5 mm²



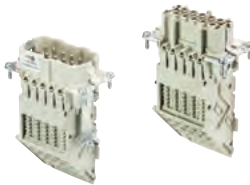
■ 10-pole
 ■ 18-pole
 ■ 32-pole
 ■ 46-pole

REVOS BASIC · 500 V MULTIPOLE ADAPTER

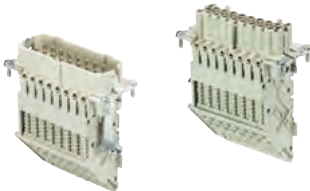
With screw connection



6-pole + ground
Size 6



10-pole + ground
Size 10



16-pole + ground
Size 16



24-pole + ground
Size 24

Description	Type	Part No.	P.U.
Multipole adapter revosBASIC 500 V			
6-pole + ground			
Long design (6 marking fields)			
Male insert ground right	BAS SAS LR 6 4,0 50	70.115.0653.3	10
Female insert ground right	BAS BAS LR 6 4,0 50	70.105.0653.3	10
Male insert ground left	BAS SAS LL 6 4,0 50	70.110.0653.3	10
Female insert ground left	BAS BAS LL 6 4,0 50	70.100.0653.3	10
Short design (4 marking fields)			
Male insert ground right	BAS SAS KR 6 4,0 50	70.115.0653.4	10
Female insert ground right	BAS BAS KR 6 4,0 50	70.105.0653.4	10
Male insert ground left	BAS SAS KL 6 4,0 50	70.110.0653.4	10
Female insert ground left	BAS BAS KL 6 4,0 50	70.100.0653.4	10
Multipole adapter revosBASIC 500 V			
10-pole + ground			
Long design (6 marking fields)			
Male insert ground right	BAS SAS LR 10 4,0 50	70.115.1053.3	10
Female insert ground right	BAS BAS LR 10 4,0 50	70.105.1053.3	10
Male insert ground left	BAS SAS LL 10 4,0 50	70.110.1053.3	10
Female insert ground left	BAS BAS LL 10 4,0 50	70.100.1053.3	10
Short design (4 marking fields)			
Male insert ground right	BAS SAS KR 10 4,0 50	70.115.1653.3	10
Female insert ground right	BAS BAS KR 10 4,0 50	70.105.1653.3	10
Male insert ground left	BAS SAS KL 10 4,0 50	70.110.1653.3	10
Female insert ground left	BAS BAS KL 10 4,0 50	70.100.1653.3	10
Multipole adapter revosBASIC 500 V			
16-pole + ground			
Long design (6 marking fields)			
Male insert ground right	BAS SAS LR 16 4,0 50	70.115.0653.3	10
Female insert ground right	BAS BAS LR 16 4,0 50	70.105.0653.3	10
Male insert ground left	BAS SAS LL 16 4,0 50	70.110.0653.3	10
Female insert ground left	BAS BAS LL 16 4,0 50	70.100.0653.3	10
Short design (4 marking fields)			
Male insert ground right	BAS SAS KR 16 4,0 50	70.115.0653.4	10
Female insert ground right	BAS BAS KR 16 4,0 50	70.105.0653.4	10
Male insert ground left	BAS SAS KL 16 4,0 50	70.110.0653.4	10
Female insert ground left	BAS BAS KL 16 4,0 50	70.100.0653.4	10
Multipole adapter revosBASIC 500 V			
24-pole + ground			
Long design (6 marking fields)			
Male insert ground right	BAS SAS LR 24 4,0 50	70.115.2453.3	10
Female insert ground right	BAS BAS LR 24 4,0 50	70.105.2453.3	10
Male insert ground left	BAS SAS LL 24 4,0 50	70.110.2453.3	10
Female insert ground left	BAS BAS LL 24 4,0 50	70.100.2453.3	10
Short design (4 marking fields)			
Male insert ground right	BAS SAS KR 24 4,0 50	70.115.2453.4	10
Female insert ground right	BAS BAS KR 24 4,0 50	70.105.2453.4	10
Male insert ground left	BAS SAS KL 24 4,0 50	70.110.2453.4	10
Female insert ground left	BAS BAS KL 24 4,0 50	70.100.2453.4	10

TECHNICAL DATA

Rated voltage	500 V
Rated voltage according to UL/CSA	600 V
Rated impulse voltage	6 kV
Rated current	16 A
Degree of pollution	3

Rated cross section

EN 60999	0.5 – 4 mm ²
----------	-------------------------

Contacts

Material	Copper alloy
Surface	Sn
Insulation strip length	12 mm
Contact resistance	≤ 3 mΩ
Mating cycles	200

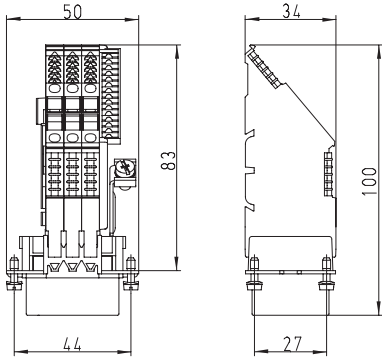
Screws

	head design / recomm. torque
Mounting screws	H1 / 0.5 – 0.7 Nm
Clamping screws	M3 / 0.5 – 0.7 Nm
Ground conductor screws	H2 / 1.2 – 1.6 Nm
Temperature range	-40 °C...+120 °C

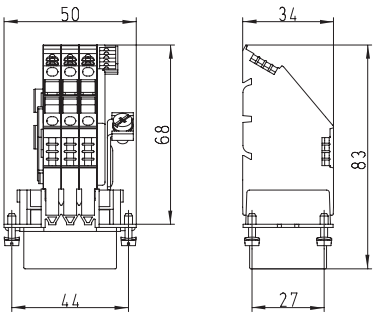
Open-bottom base revosBASIC	Type	Page
Size	6	160, 234
Size	10	168, 178, 238
Size	16	186, 198, 242
Size	24	206, 218, 246

DIMENSIONS

6-pole + ground

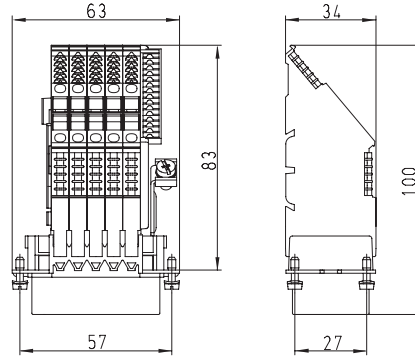


Long design

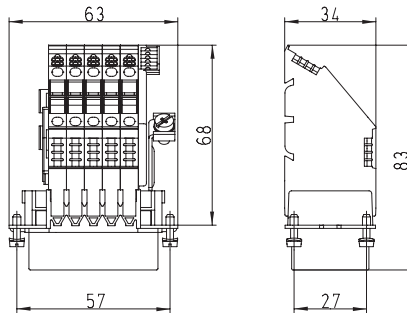


Short design

10-pole + ground

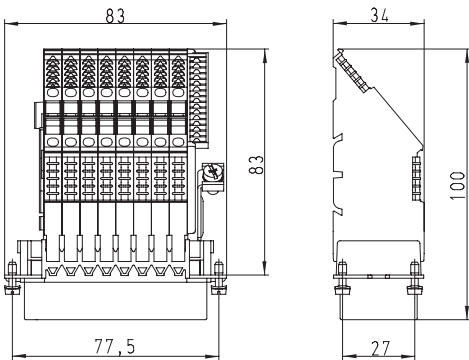


Long design

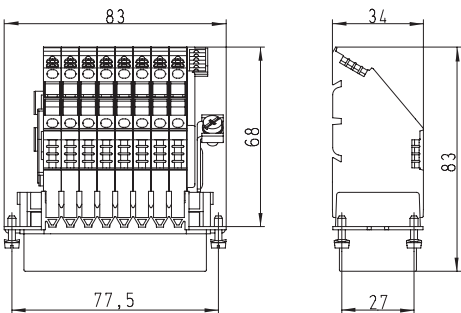


Short design

16-pole + ground

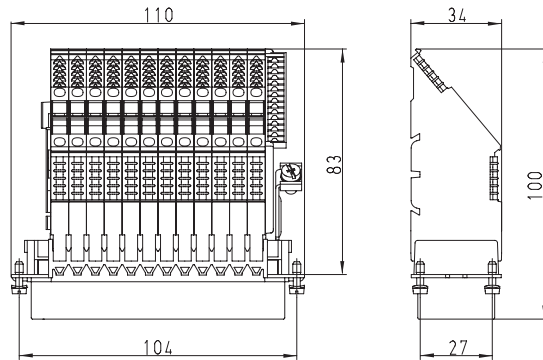


Long design

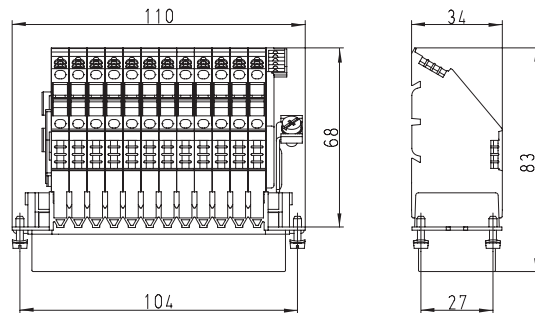


Short design

24-pole + ground



Long design



Short design



REVOS BASIC · 500 V MULTIPOLE ADAPTER

With screw connection, sets of 2 components
with bottom base, single locking lever



6-pole + ground
Size 6



24-pole + ground
Size 24

Description	Type	Part No.	P.U.
Multipole adapter revos BASIC 500 V		6-pole + ground	
Long design (6 marking fields)			
Male insert ground right	BAS GAESHRS 6 4,0 50	70.955.0653.3	10
Male insert ground left	BAS GAESHLS 6 4,0 50	70.950.0653.3	10
Female insert ground left	BAS GAESHLB 6 4,0 50	70.940.0653.3	10
Short design (4 marking fields)			
Male insert ground left	BAS GAESNLS 6 4,0 50	70.950.0653.4	10
Female insert ground left	BAS GAESNLB 6 4,0 50	70.940.0653.4	10
Multipole adapter revos BASIC 500 V		24-pole + ground	
Long design (6 marking fields)			
Female insert ground right	BAS GAESH RB 24 4,0 50	71.945.2453.3	10
Short design (4 marking fields)			
Male insert ground right	BAS GAESNRS 24 4,0 50	71.955.2453.4	10
Female insert ground right	BAS GAESNRB 24 4,0 50	71.945.2453.4	10

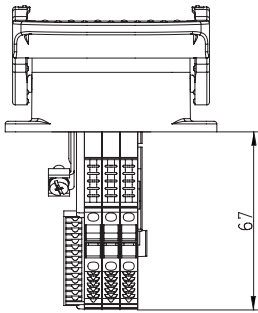
TECHNICAL DATA	
Rated voltage	500 V
Rated voltage according to UL/CSA	600 V
Rated impulse voltage	6 kV
Rated current	16 A
Degree of pollution	3
Rated cross section	
EN 60999	0.5 – 4 mm ²
Contacts	
Material	Copper alloy
Surface	Sn
Insulation strip length	12 mm
Contact resistance	≤ 3 mΩ
Mating cycles	200
Screws	
	head design / recomm. torque
Mounting screws	H1 / 0.5 – 0.7 Nm
Clamping screws	M3 / 0.5 – 0.7 Nm
Ground conductor screws	H2 / 1.2 – 1.6 Nm
Temperature range	-40 °C...+120 °C

These multipole adapters can be mounted inside the control cabinet.
Please use the version B coding accessory.

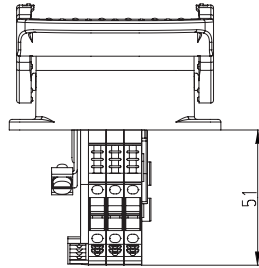
Coding accessories can be found on page 290–293.

DIMENSIONS

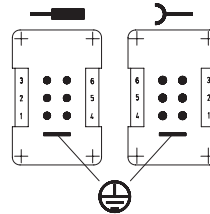
6-pole + ground



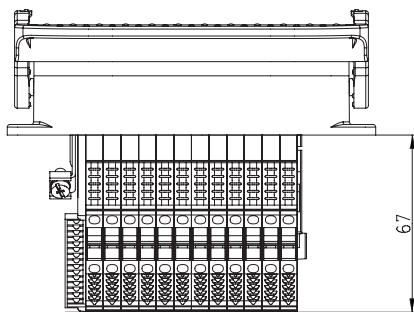
Long design



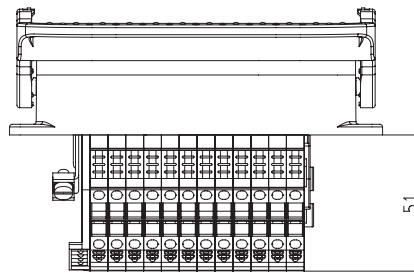
Short design



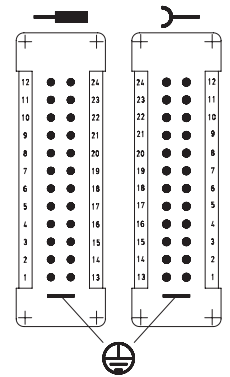
24-pole + ground



Long design



Short design

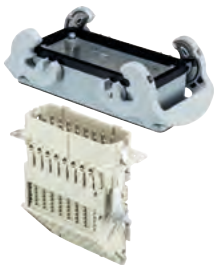


REVOS BASIC · 500 V MULTIPOLE ADAPTER

With screw connection, sets of 2 components
with bottom base, double locking lever



10-pole + ground
Size 10



16-pole + ground
Size 16



24-pole + ground
Size 24

Description	Type	Part No.	P.U.
Multipole adapter revos BASIC 500 V	10-pole + ground		
Long design (6 marking fields)			
Male insert, ground left	BAS GAZSHLS 10 4,0 50	70.950.1053.3	10
Female insert, ground left	BAS GAZSHLB 10 4,0 50	70.940.1053.3	10
Short design (4 marking fields)			
Female insert, ground right	BAS GAZSNRB 10 4,0 50	70.945.1053.4	10
Female insert, ground left	BAS GAZSNLB 10 4,0 50	70.940.1053.4	10
Multipole adapter revos BASIC 500 V	16-pole + ground		
Long design (6 marking fields)			
Male insert, ground right	BAS GAZSHRS 16 4,0 50	70.955.1653.3	10
Female insert, ground right	BAS GAZSHRB 16 4,0 50	70.945.1653.3	10
Male insert, ground left	BAS GAESHRS 16 4,0 50	70.950.1653.3	10
Female insert, ground left	BAS GAZSHLS 16 4,0 50	70.940.1653.3	10
Short design (4 marking fields)			
Female insert, ground right	BAS GAZSNRB 16 4,0 50	70.945.1653.4	10
Male insert, ground left	BAS GAZSNLS 16 4,0 50	70.950.1653.4	10
Female insert, ground left	BAS GAZSNLB 16 4,0 50	70.940.1653.4	10
Multipole adapter revos BASIC 500 V	24-pole + ground		
Long design (6 marking fields)			
Female insert, ground right	BAS GAZSHRB 24 4,0 50	70.945.2453.3	10
Male insert, ground left	BAS GAZSHLS 24 4,0 50	70.950.2453.3	10
Female insert, ground left	BAS GAZSHLB 24 4,0 50	70.940.2453.3	10
Short design (4 marking fields)			
Female insert, ground right	BAS GAZSNRB 24 4,0 50	70.945.2453.4	10
Male insert, ground left	BAS GAZSNLS 24 4,0 50	70.950.2453.4	10
Female insert, ground left	BAS GAZSNLB 24 4,0 50	70.940.2453.4	10

TECHNICAL DATA

Rated voltage	500 V
Rated voltage according to UL/CSA	600 V
Rated impulse voltage	6 kV
Rated current	16 A
Degree of pollution	3

Rated cross section

EN 60999	0.5 – 4 mm ²
----------	-------------------------

Contacts

Material	Copper alloy
Surface	Sn
Insulation strip length	12 mm
Contact resistance	≤ 3 mΩ
Mating cycles	200

Screws

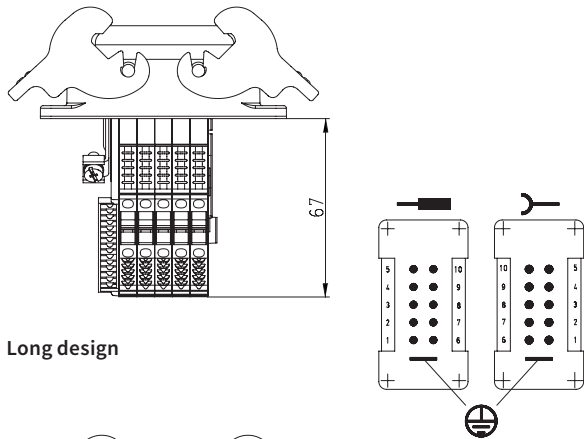
	head design / recomm. torque
Mounting screws	H1 / 0.5 – 0.7 Nm
Clamping screws	M3 / 0.5 – 0.7 Nm
Ground conductor screws	H2 / 1.2 – 1.6 Nm
Temperature range	-40 °C...+120 °C

These multipole adapters can be mounted inside the control cabinet.
Please use the version B coding accessory.

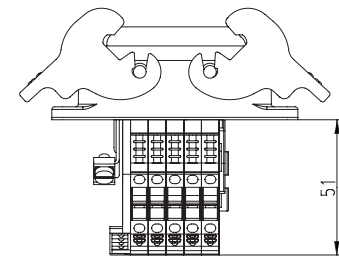
Coding accessories can be found on page 290–293.

DIMENSIONS

10-pole + ground

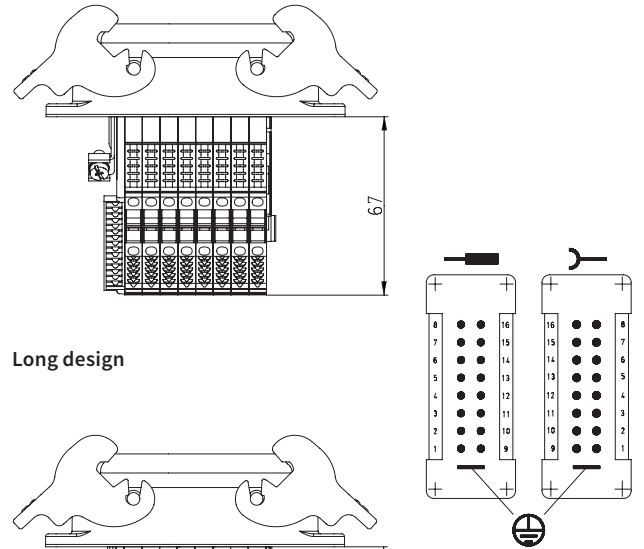


Long design

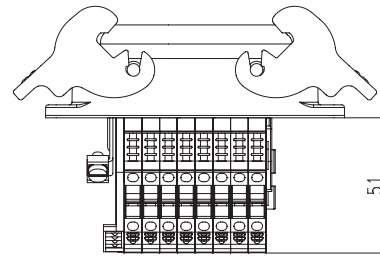


Short design

16-pole + ground

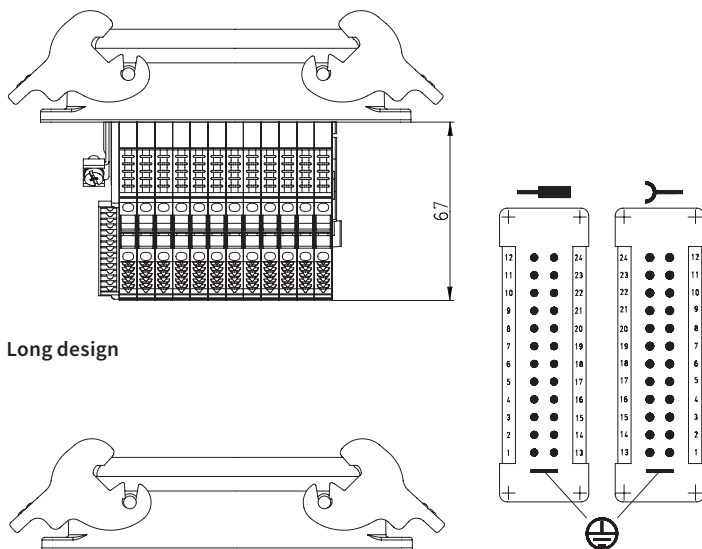


Long design

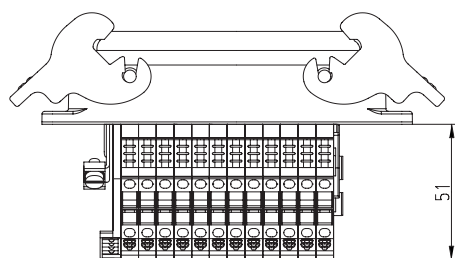


Short design

24-pole + ground



Long design



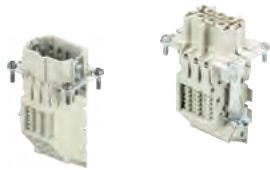
Short design

Subject to technical modifications

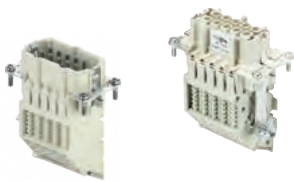


REVOS BASIC · 500 V MULTIPOLE ADAPTER

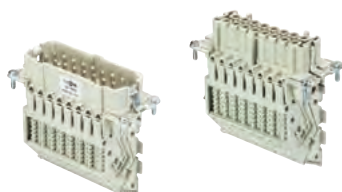
With spring clamp connection



6-pole + ground
Size 6



10-pole + ground
Size 10



16-pole + ground
Size 16

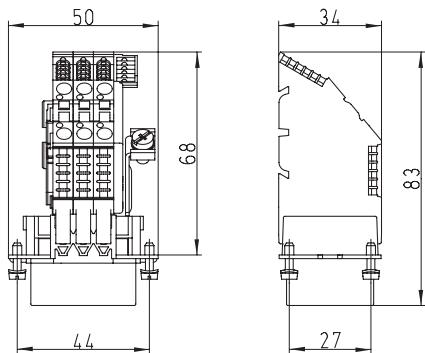


24-pole + ground
Size 24

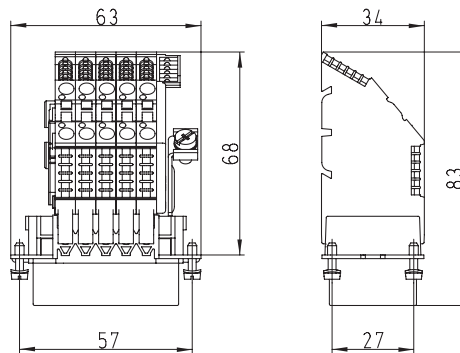
Description	Type	Part No.	P.U.
Multipole adapter revos BASIC 500 V			
6-pole + ground			
Short design (6 marking fields)			
Male insert, ground right	BAS SAF KR 6 2,5 50	70.116.0653.0	10
Female insert ground right	BAS BAF KR 6 2,5 50	70.106.0653.0	10
Male insert ground left	BAS SAF KL 6 2,5 50	70.111.0653.0	10
Female insert ground left	BAS BAF KL 6 2,5 50	70.101.0653.0	10
Multipole adapter revos BASIC 500 V			
10-pole + ground			
Short design (6 marking fields)			
Male insert ground right	BAS SAF KR 10 2,5 50	70.116.1053.0	10
Female insert ground right	BAS BAF KR 10 2,5 50	70.106.1053.0	10
Male insert ground left	BAS SAF KL 10 2,5 50	70.111.1053.0	10
Female insert ground left	BAS BAF KL 10 2,5 50	70.101.1053.0	10
Multipole adapter revos BASIC 500 V			
16-pole + ground			
Short design (6 marking fields)			
Male insert ground right	BAS SAF KR 16 2,5 50	70.116.1653.0	10
Female insert ground right	BAS BAF KR 16 2,5 50	70.106.1653.0	10
Male insert ground left	BAS SAF KL 16 2,5 50	70.111.1653.0	10
Female insert ground left	BAS BAF KL 16 2,5 50	70.101.1653.0	10
Multipole adapter revos BASIC 500 V			
24-pole + ground			
Short design (6 marking fields)			
Male insert ground right	BAS SAF KR 24 2,5 50	70.116.2453.0	10
Female insert ground right	BAS BAF KR 24 2,5 50	70.106.2453.0	10
Male insert ground left	BAS SAF KL 24 2,5 50	70.111.2453.0	10
Female insert ground left	BAS BAF KL 24 2,5 50	70.101.2453.0	10
TECHNICAL DATA			
Rated voltage	500 V		
Rated voltage according to UL/CSA	600 V		
Rated impulse voltage	6 kV		
Rated current	16 A		
Degree of pollution	3		
Rated cross section			
EN 60999	0.5 – 2.5 mm ²		
Contacts			
Material	Copper alloy		
Surface	Sn		
Insulation strip length	9 mm		
Contact resistance	≤ 3 mΩ		
Mating cycles	200		
Screws			
	head design / recomm. torque		
Mounting screws	H1 / 0.5 – 0.7 Nm		
Clamping screws	–		
Ground conductor screws	H2 / 1.2 – 1.6 Nm		
Temperature range	-40 °C...+120 °C		
ACCESSORIES			
	Type	Part No.	P.U.
Screwdriver blade	DIN 5264 A 0,6 x 3,5	06.502.4000.0	5
Open-bottom base revos BASIC			
	Type	Page	
Size	6	160, 234	
Size	10	168, 178, 238	
Size	16	186, 198, 242	
Size	24	206, 218, 246	

DIMENSIONS

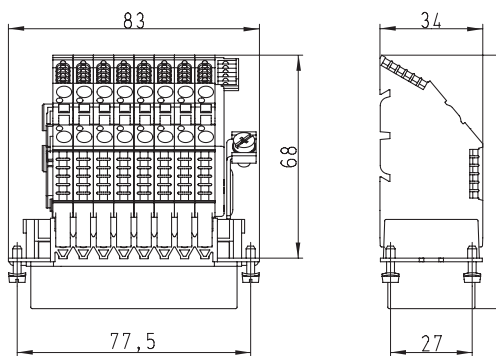
6-pole + ground



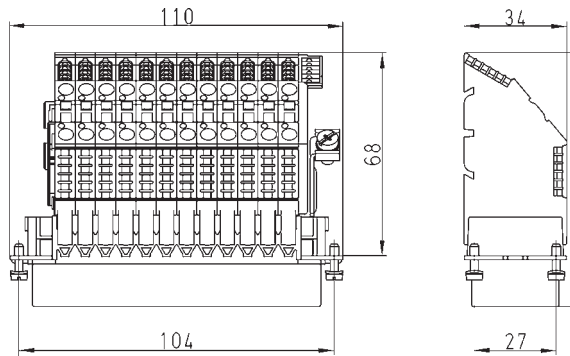
10-pole + ground



16-pole + ground



24-pole + ground



REVOS BASIC · 400/690 V CONTACT INSERTS

Screw connection



3-pole + 2 switching contacts + ground, Size 10



6-pole + 2 switching contacts + ground, Size 16



10-pole + 2 switching contacts + ground, Size 24



16-pole + 2 switching contacts + ground, Size 24

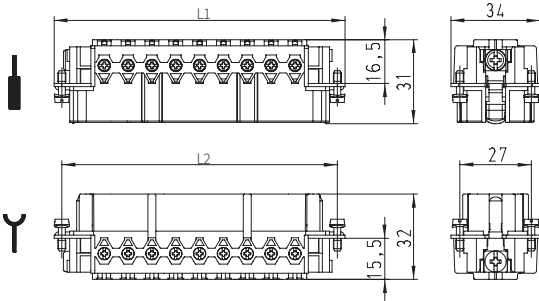
Description	Type	Part No.	P.U.
Contact inserts revos BASIC 400/690 V			
3-pole + ground			
Male insert	BAS STS 3 2,5 64	70.410.0340.0	10
Female insert	BAS BUS 3 2,5 64	70.400.0340.0	10
Contact inserts revos BASIC 400/690 V			
6-pole + ground			
Male insert	BAS STS 6 2,5 64	70.410.0640.0	10
Female inserts	BAS BUS 6 2,5 64	70.400.0640.0	10
Contact inserts revos BASIC 400/690 V			
10-pole + ground			
Male insert	BAS STS 10 2,5 64	70.410.1040.0	10
Female insert	BAS BUS 10 2,5 64	70.400.1040.0	10
Contact inserts revos BASIC 400/690 V			
16-pole + ground			
Male insert	BAS STS 16 2,5 64	70.410.1640.0	10
Female insert	BAS BUS 16 2,5 64	70.400.1640.0	10

TECHNICAL DATA	
Rated voltage	L-PE 400 V / L-L 690 V
Rated voltage according to UL/CSA	600 V
Rated impulse voltage	6 kV
Rated current	16 A
Degree of pollution	3
Rated cross section	
EN 60999	0.5 – 2.5 mm ²
Contacts	
Material	Copper alloy
Surface	Sn
Insulation strip length	7 mm
Contact resistance	≤ 1,5 mΩ
Mating cycles	200
Screws	
head design / recomm. torque	
Mounting screws	H1 / 0.5 – 0.7 Nm
Clamping screws	H1 / 0.5 – 0.7 Nm
Ground conductor screws	H2 / 1.2 – 1.6 Nm
Temperature range	-40 °C...+120 °C

Housing revos BASIC / revos BASIC M	Type	Page
Size	10/10H	164–181, 228–230, 236–239
Size	16/16H	182–201, 228–229, 240–243
Size	24/24H	202–221, 228–229, 244–247

DIMENSIONS

3-pole + ground – 16-pole + ground



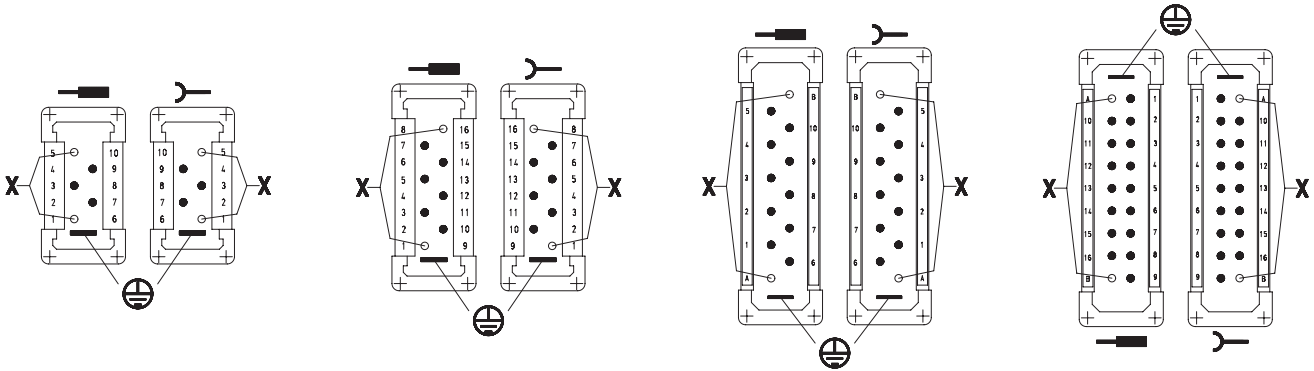
Number of poles	L1 [mm]	L2 [mm]
3	63.0	57.0
6	83.0	77.5
10	110.0	104.0
16	110.0	104.0

3-pole + ground

6-pole + ground

10-pole + ground

16-pole + ground

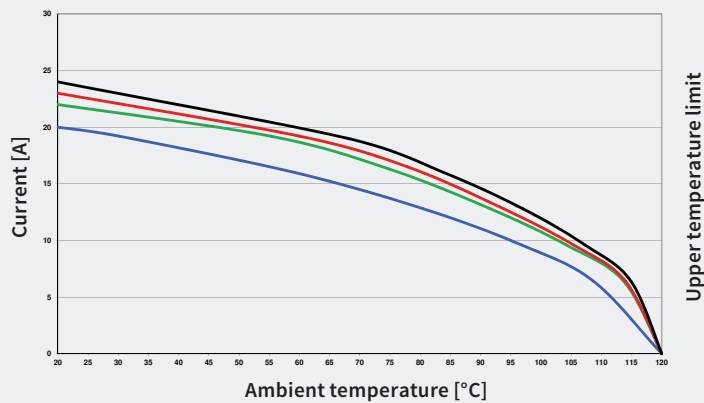


X = shortened switching contacts

DERATING CURVE according to IEC 60512 sec. 3

revoS BASIC
Screw version
2.5 mm²

- 5-pole
- 8-pole
- 12-pole
- 18-pole



REVOS BASIC · 690 V CONTACT INSERTS

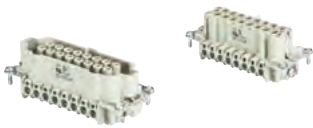
Screw connection



6-pole + ground
Size 6



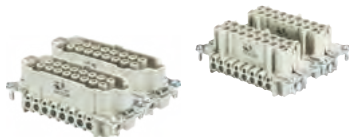
10-pole + ground
Size 10



16-pole + ground
Size 16



24-pole + ground
Size 24



32-pole + ground
Size 32



48-pole + ground
Size 48

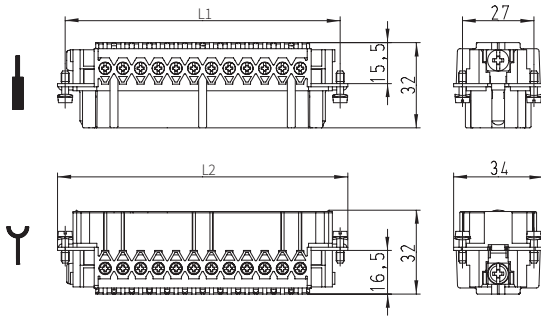
Description	Type	Part No.	P.U.
Contact inserts revos BASIC 690 V			
6-pole + ground			
Male insert	BAS STS 6 2,5 69	72.310.0653.0	10
Female insert	BAS BUS 6 2,5 69	72.300.0653.0	10
Contact inserts revos BASIC 690 V			
10-pole + ground			
Male insert	BAS STS 10 2,5 69	72.310.1053.0	10
Female inserts	BAS BUS 10 2,5 69	72.300.1053.0	10
Contact inserts revos BASIC 690 V			
16-pole + ground			
Male insert	BAS STS 16 2,5 69	72.310.1653.0	10
Female insert	BAS BUS 16 2,5 69	72.300.1653.0	10
Contact inserts revos BASIC 690 V			
24-pole + ground			
Male insert	BAS STS 24 2,5 69	72.310.2453.0	10
Female insert	BAS BUS 24 2,5 69	72.300.2453.0	10
Contact inserts revos BASIC 690 V			
32-pole + ground			
Male insert, marked 1-16, 17-32	BAS STS 32 2,5 69	72.310.3253.0	5
Female insert, marked 1-16, 17-32	BAS BUS 32 2,5 69	72.300.3253.0	5
Contact inserts revos BASIC 690 V			
48-pole + ground			
Male insert, marked 1-24, 25-48	BAS STS 48 2,5 69	72.310.4853.0	5
Female insert, marked 1-24, 25-48	BAS BUS 48 2,5 69	72.300.4853.0	5

TECHNICAL DATA	
Rated voltage	690 V
Rated voltage according to UL/CSA	600 V
Rated impulse voltage	8 kV
Rated current	16 A
Degree of pollution	3
Rated cross section	
EN 60999	0.5 – 2.5 mm ²
Contacts	
Material	Copper alloy
Surface	Sn
Insulation strip length	7 mm
Contact resistance	≤ 1,5 mΩ
Mating cycles	200
Screws	
head design / recomm. torque	
Mounting screws	H1 / 0.5 – 0.7 Nm
Clamping screws	H1 / 0.5 – 0.7 Nm
Ground conductor screws	H2 / 1.2 – 1.6 Nm
Temperature range	-40 °C...+120 °C

Housing revos BASIC / revos BASIC M	Type	Page
Size	6/6H	156–163, 228–229, 232–235
Size	10/10H	164–181, 228–230, 236–239
Size	16/16H	182–201, 228–229, 240–243
Size	24/24H	202–221, 228–229, 244–247
Size	32	222–223
Size	48	224–227

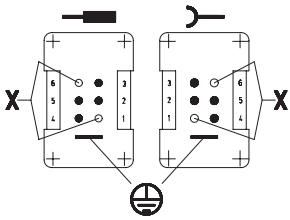
DIMENSIONS

6-pole + ground – 24-pole + ground

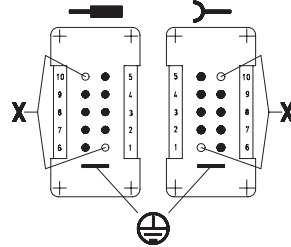


Number of poles	L1 [mm]	L2 [mm]
6	44.0	50.0
10	57.0	63.0
16	77.5	83
24	104.0	110.0
32	77.5	83
48	104.0	110.0

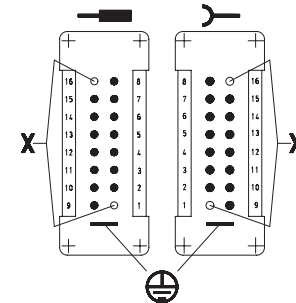
6-pole + ground



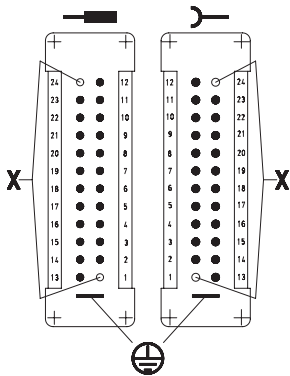
10-pole + ground



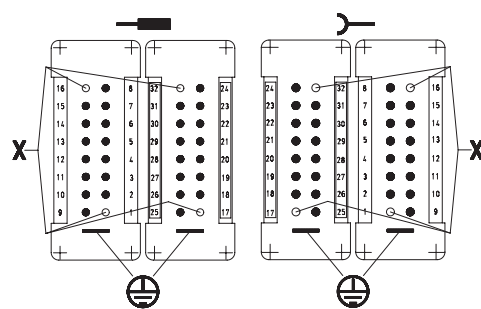
16-pole + ground



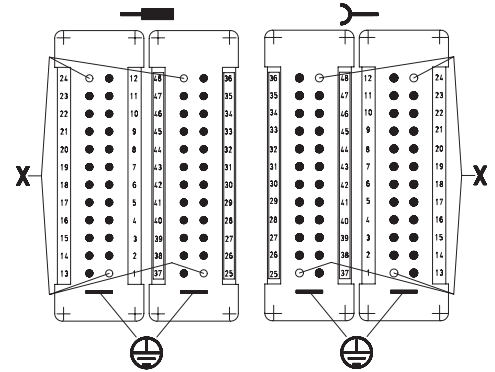
24-pole + ground



32-pole + ground



48-pole + ground

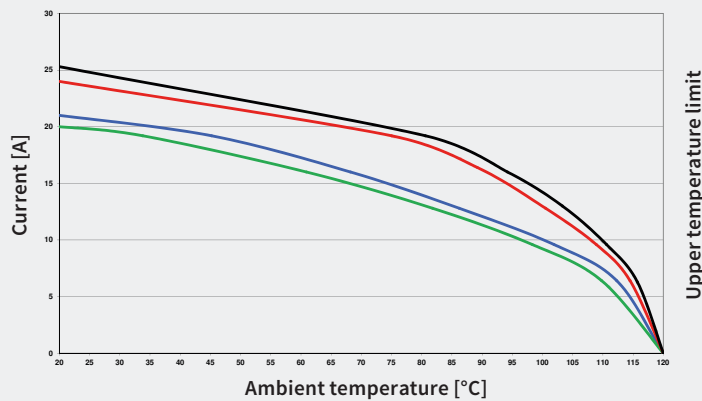


X = shortened switching contacts

DERATING CURVE according to IEC 60512 sec. 3

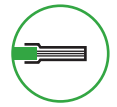
revosBASIC
Screw version
2.5 mm²

- 6-pole
- 10-pole
- 16-pole
- 24-pole



REVOS BASIC · 690 V CONTACT INSERTS

Crimp connection



6-pole + ground
Size 6



10-pole + ground
Size 10



16-pole + ground
Size 16



24-pole + ground
Size 24

Description	Type	Part No.	P.U.
Contact inserts revos BASIC 690 V			
6-pole + ground			
Male insert	BAS STC 6 69	72.710.0658.0	10
Female insert	BAS BUC 6 69	72.700.0658.0	10
Contact inserts revos BASIC 690 V			
10-pole + ground			
Male insert	BAS STC 10 69	72.710.1058.0	10
Female inserts	BAS BUC 10 69	72.700.1058.0	10
Contact inserts revos BASIC 690 V			
16-pole + ground			
Male insert	BAS STC 16 69	72.710.1658.0	10
Female insert	BAS BUC 16 69	72.700.1658.0	10
Contact inserts revos BASIC 690 V			
24-pole + ground			
Male insert	BAS STC 24 69	72.710.2458.0	10
Female insert	BAS BUC 24 69	72.700.2458.0	10
Contacts for crimp connection			
	mm ² / AWG, turned ø 2.5 mm		
Male insert	0.5 / 20	05.543.70xx.0	200
Female insert	0.5 / 20	02.123.70xx.0	200
Male insert	0.75 - 1 / 18	05.543.71xx.0	200
Female insert	0.75 - 1 / 18	02.123.71xx.0	200
Male insert	1.5 / 16	05.543.72xx.0	200
Female insert	1.5 / 16	02.123.72xx.0	200
Male insert	2.5 / 14	05.543.73xx.0	200
Female insert	2.5 / 14	02.123.73xx.0	200
Male insert	4 / 12	05.543.74xx.0	200
Female insert	4 / 12	02.123.74xx.0	200
Surface	tin-plated xx = 21 / silver-plated xx = 02 / gold-plated xx = 01		
Connector switching contacts (2 contacts required)	0.5 / 20	05.543.9021.0	200
Connector switching contacts (2 contacts required)	0.75 - 1 / 18	05.543.9121.0	200

TECHNICAL DATA

Rated voltage	690 V
Rated voltage according to UL/CSA	600 V
Rated impulse voltage	6 kV
Rated current	16 A
Degree of pollution	3

Rated cross section

EN 60999	0.5 - 4 mm ²
----------	-------------------------

Contacts

Material	Copper alloy
Surface	Sn, Ag, Au
Insulation strip length	7 mm
Contact resistance	≤ 1,5 mΩ
Mating cycles	Sn 200 / Ag, Au 500

Screws

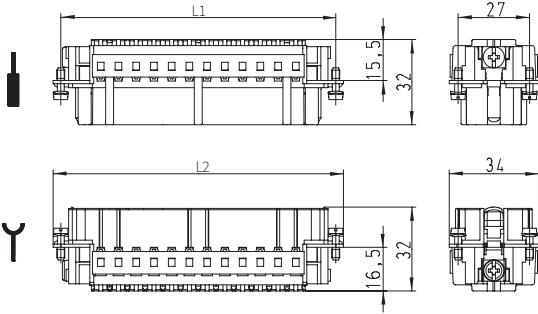
	head design / recomm. torque
Mounting screws	H1 / 0.5 - 0.7 Nm
Clamping screws	-
Ground conductor screws	H2 / 1.2 - 1.6 Nm
Temperature range	-40 °C...+120 °C

ACCESSORIES	Type	Part No.	P.U.
Crimping tool		95.101.0800.0	1
Crimping die	"B"	05.502.2100.0	1
Contact positioner	"3"	05.502.3300.0	1
Extraction tool		05.502.3500.0	1

Housing revos BASIC / revos BASIC M	Type	Page
Size	6/6H	156-163, 228-229, 232-235
Size	10/10H	164-181, 228-230, 236-239
Size	16/16H	182-201, 228-229, 240-243
Size	24/24H	202-221, 228-229, 244-247

DIMENSIONS

6-pole + ground – 24-pole + ground

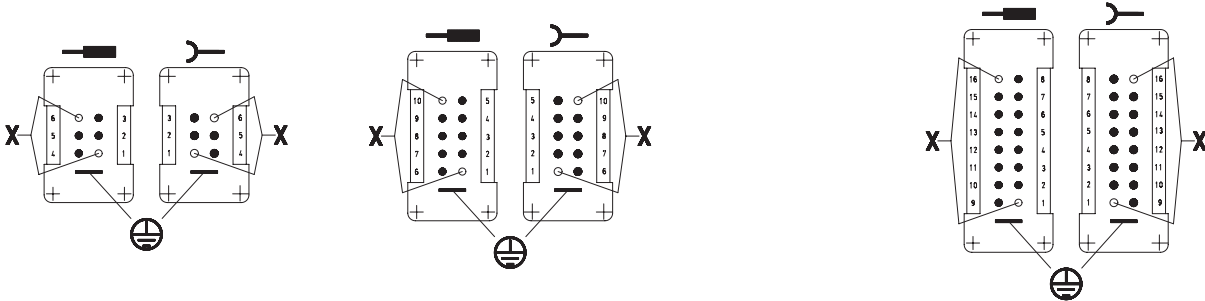


Number of poles	L1 [mm]	L2 [mm]
6	44.0	50.0
10	57.0	63.0
16	77.0	83.0
24	104.0	110.0

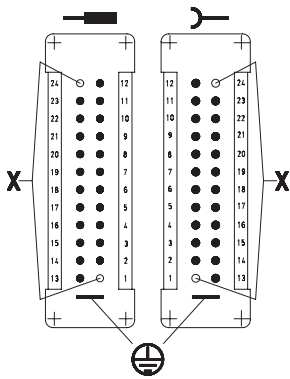
6-pole + ground

10-pole + ground

16-pole + ground



24-pole + ground

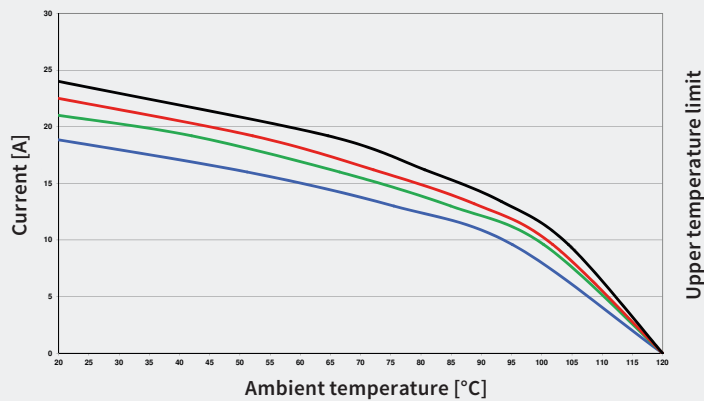


X = shortened switching contacts

DERATING CURVE according to IEC 60512 sec. 3

revoBASIC
Crimp version
2.5 mm²

- 6-pole
- 10-pole
- 16-pole
- 24-pole



REVOS BASIC · 830 V CONTACT INSERTS

Spring clamp connection

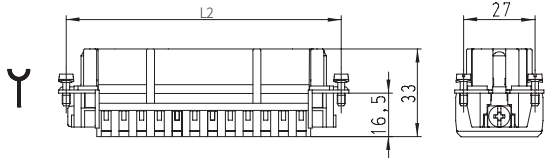
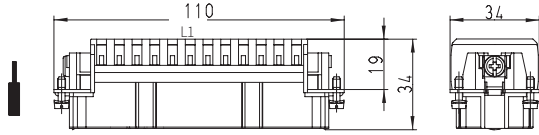


3-pole + 2 switching contacts + ground, Size 10

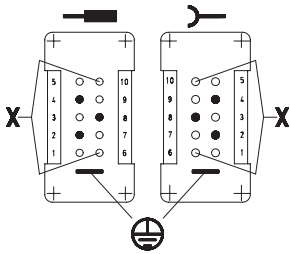
Description	Type	Part No.	P.U.
Contact inserts revosBASIC 830 V	3-pole + ground		
Male insert	BAS STF 3 2,5 83 AG	70.516.0353.0	10
Female insert	BAS BUF 3 2,5 83 AG	70.506.0353.0	10
TECHNICAL DATA			
Rated voltage	830 V		
Rated voltage according to UL/CSA	600 V		
Rated impulse voltage	8 kV		
Rated current	16 A		
Degree of pollution	3		
Rated cross section			
EN 60999	0.14 – 2.5 mm ²		
Contacts			
Material	Copper alloy		
Surface	Ag		
Insulation strip length	7 mm		
Contact resistance	≤ 3 mΩ		
Mating cycles	500		
Screws			
	head design / recomm. torque		
Mounting screws	H1 / 0.5 – 0.7 Nm		
Clamping screws	–		
Ground conductor screws	H2 / 1.2 – 1.6 Nm		
Temperature range	-40 °C...+120 °C		
ACCESSORIES			
	Type	Part No.	P.U.
Screwdriver blade	DIN 5264 A 0,6 x 3,5	06.502.4000.0	5
Housing revosBASIC / revosBASIC M			
	Type	Page	
Size	10/10H	164–181, 228–230, 236–239	

DIMENSIONS

3-pole + 2 switching contacts + ground



Number of poles	L1 [mm]	L2 [mm]
3	63.0	57.0



X = shortened switching contacts

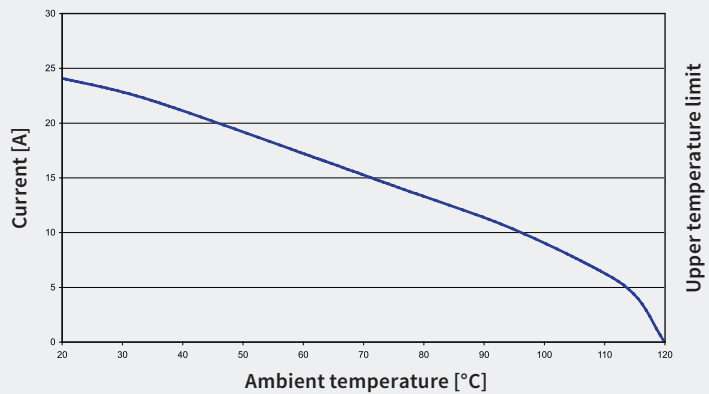
DERATING CURVE according to IEC 60512 sec. 3

revosBASIC

Spring version

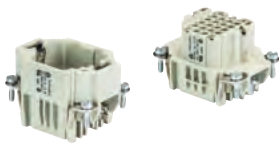
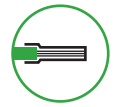
830 V / 16 A / 2.5 mm²

— 3+2-pole



REVOS DD · 250 V CONTACT INSERTS

Crimp connection



24-pole + ground
Size 6/6H



42-pole + ground
Size 10/10H



72-pole + ground
Size 16/16H



108-pole + ground
Size 24/24H

Description	Type	Part No.	P.U.
Contact inserts revos DD 250 V			
24-pole + ground			
Male insert	DD STC 24 1,5 25	73.810.2453.0	10
Female insert	DD BUC 24 1,5 25	73.800.2453.0	10
Contact inserts revos DD 250 V			
42-pole + ground			
Male insert	DD STC 42 1,5 25	73.810.4253.0	10
Female inserts	DD BUC 42 1,5 25	73.800.4253.0	10
Contact inserts revos DD 250 V			
72-pole + ground			
Male insert	DD STC 72 1,5 25	73.810.7253.0	10
Female insert	DD BUC 72 1,5 25	73.800.7253.0	10
Contact inserts revos DD 250 V			
108-pole + ground			
Male insert	DD STC 108 1,5 25	73.810.0853.0	10
Female insert	DD BUC 108 1,5 25	73.800.0853.0	10
Contacts for crimp connection			
	mm ² / AWG, turned ø 1.6 mm		
Male insert	0.14 – 0,37 / 20	05.544.4129.x	100
Female insert	0.14 – 0,37 / 20	02.125.4129.x	100
Male insert	0.5 / 20	05.544.4229.x	100
Female insert	0.5 / 20	02.125.4229.x	100
Male insert	0.75 – 1 / 18	05.544.4329.x	100
Female insert	0.75 – 1 / 18	02.125.4329.x	100
Male insert	1.5 / 16	05.544.4429.x	100
Female insert	1.5 / 16	02.125.4429.x	100
Male insert	2.5 / 14	05.544.4529.x	100
Female insert	2.5 / 14	02.125.4529.x	100
silver-plated x = 8 / gold-plated x = 7			

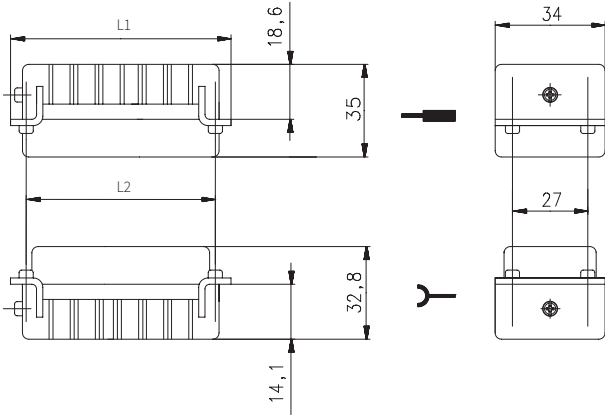
TECHNICAL DATA	
Rated voltage	250 V
Rated voltage according to UL/CSA	600 V AC (CSA)
Rated impulse voltage	2.5 kV
Rated current	10 A
Degree of pollution	2 (3 in Housing with IP54 and higher)
Rated cross section	
EN 60999	0.14 – 2.5 mm ²
Contacts	
Material	Copper alloy
Surface	Ag, Au
Insulation strip length	8 mm
Contact resistance	< 5 mΩ
Mating cycles	Ag, Au 500
Screws	
	head design / recomm. torque
Mounting screws	Z1 / 0.5 – 0.7 Nm
Clamping screws	–
Ground conductor screws	Z2 / 1.2 Nm
Temperature range	-40 °C...+120 °C

ACCESSORIES	Type	Part No.	P.U.
Crimping tool		95.101.0800.0	1
Crimping die	“B”	05.502.2100.0	1
Contact positioner	“1”	05.502.3100.0	1
Extraction tool		05.502.0710.0	1

Housing revos BASIC / revos BASIC M	Type	Page
Size	6/6H	156–163, 228–229, 232–235
Size	10/10H	164–181, 228–230, 236–239
Size	16/16H	182–201, 228–229, 240–243
Size	24/24H	202–221, 228–229, 244–247

DIMENSIONS

24-pole + ground – 108-pole + ground



Number of poles	L1 [mm]	L2 [mm]
24	50.5	44.0
42	63.5	57.0
72	84	77.5
108	110.5	104.0

24-pole + ground

42-pole + ground

72-pole + ground

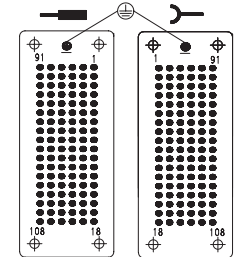
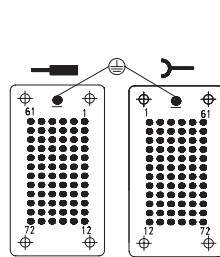
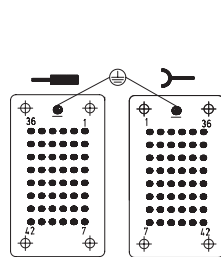
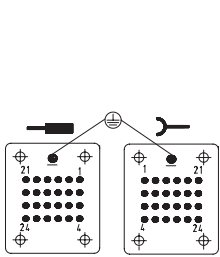
108-pole + ground

Connection side

Connection side

Connection side

Connection side

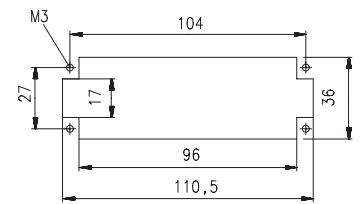
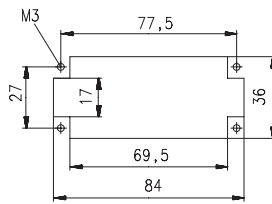
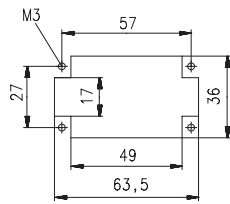
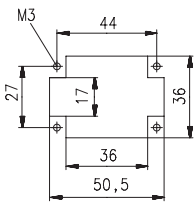


Cut-out

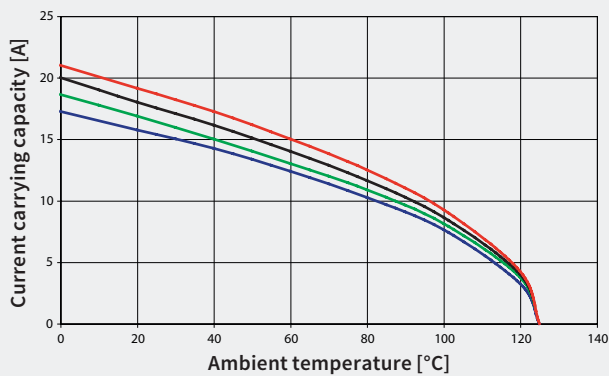
Cut-out

Cut-out

Cut-out

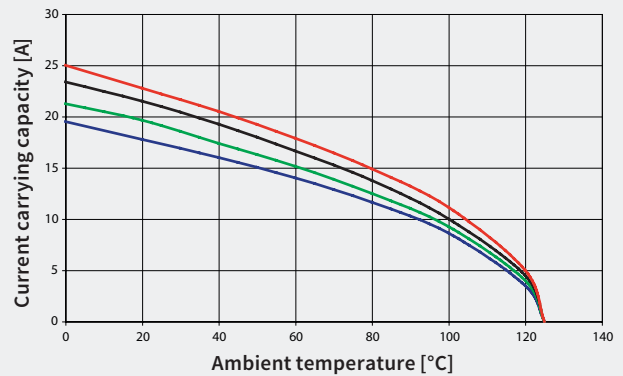


DERATING CURVE according to IEC 60512 sec. 3
revosDD 250 V / 10 A / 1.5 mm²



— 24-pole — 42-pole — 72-pole — 108-pole

DERATING CURVE according to IEC 60512 sec. 3
revosDD 250 V / 16 A / 2.5 mm²



REVOS HD · 250 V CONTACT INSERTS

Screw connection



10-pole + ground
Size 10/15



16-pole + ground
Size 16/25, 32/50



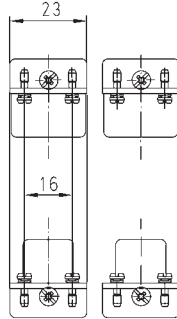
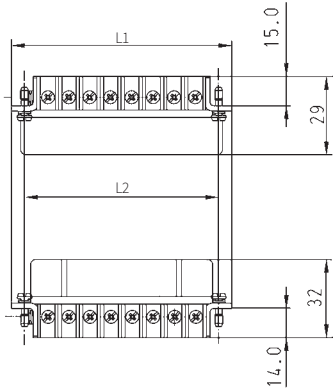
32-pole + ground
Size 32/50

* Solid
** Fine stranded

Description	Type	Part No.	P.U.
Contact inserts revosHD 250 V			
10-pole + ground			
Male insert	HD STS 10 2,5 25 AG	73.310.1053.0	10
Female insert	HD BUS 10 2,5 25 AG	73.300.1053.0	10
Contact inserts revosHD 250 V			
16-pole + ground			
Male insert	HD STS 16 2,5 25 AG	73.310.1653.0	10
Female inserts	HD BUS 16 2,5 25 AG	73.300.1653.0	10
Male insert, marked 17-32	HD STS SB 16 2,5 25 AG	73.310.1653.3	10
Female inserts, marked 17-32	HD BUS SB 16 2,5 25 AG	73.300.1653.3	10
Contact inserts revosHD 250 V			
32-pole + ground			
Male insert, marked 1-16, marked 17-32	HD STS 32 2,5 25 AG	73.310.3253.0	5
Female insert, marked 1-16, marked 17-32	HD BUS 32 2,5 25 AG	73.300.3253.0	5
TECHNICAL DATA			
Rated voltage	400 V		
Rated voltage according to UL/CSA	600 V		
Rated impulse voltage	4 kV		
Rated current	VDE 16 A / CSA 16 A / UL 14 A		
Degree of pollution	3		
Rated cross section			
EN 60999	e* 0.5 – 1.5 mm ² /f** 0.75 – 2.5 mm ²		
Contacts			
Material	Copper alloy		
Surface	Ag		
Insulation strip length	7 mm		
Contact resistance	≤ 4 mΩ		
Mating cycles	100		
Screws			
	head design / recomm. torque		
Mounting screws	PH1 / 0.5 Nm		
Clamping screws	PH1 / 0.5 Nm		
Ground conductor screws	PH2 / 1.2 Nm		
Temperature range	-40 °C...+120 °C		
Housing revos HD			
	Type	Page	
Size	10/15	248–251	
Size	16/25	252–255	
Size	32/50	256–261	

DIMENSIONS

10-pole + ground – 32-pole + ground



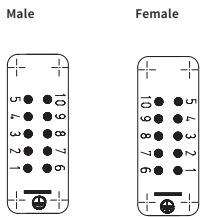
Number of poles	L1 [mm]	L2 [mm]
10	56.5	49.5
16	73.0	66.0
32	73.0	66.0

10-pole + ground

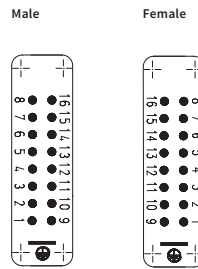
16-pole + ground

32-pole + ground

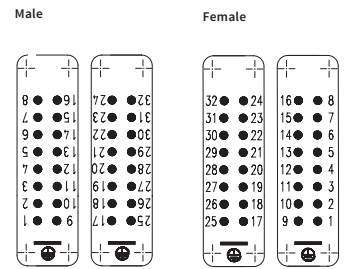
Connection side



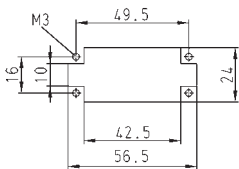
Connection side



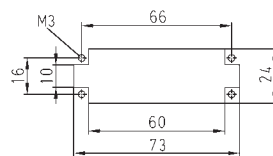
Connection side



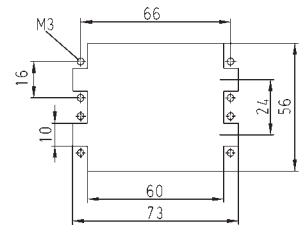
Cut-out



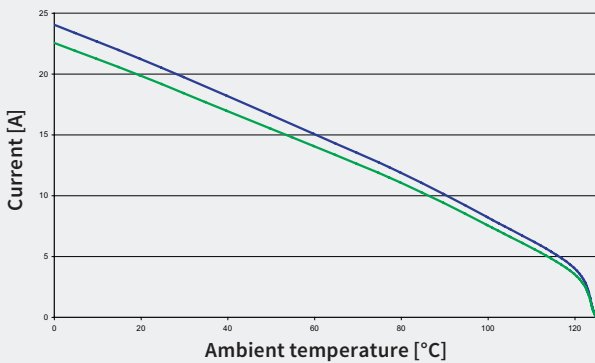
Cut-out



Cut-out

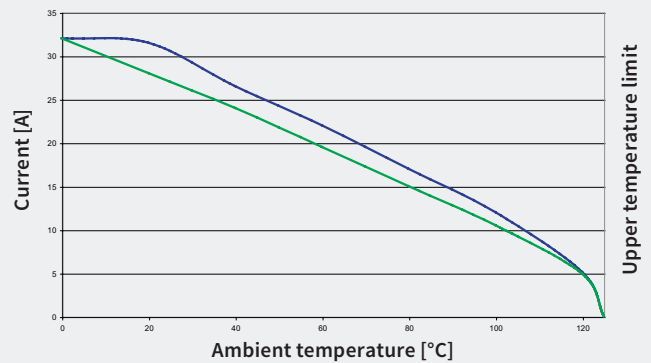


DERATING CURVE according to IEC 60512 sec. 3
 revosHD 10/16 250 V / 16 A / 1.5 mm²



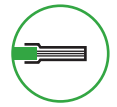
— 10-pole — 16-pole

DERATING CURVE according to IEC 60512 sec. 3
 revosHD 10/16 250 V / 16 A / 2.5 mm²



REVOS HD · 250 V CONTACT INSERTS

Crimp connection



15-pole + ground
Size 10/15



25-pole + ground
Size 16/25, 32/50

Description	Type	Part No.	P.U.
Contact inserts revosHD 250 V			
15-pole + ground			
Male insert	HD STC 15 25	73.710.1553.0	10
Female insert	HD BUC 15 25	73.700.1553.0	10
Contact inserts revosHD 250 V			
25-pole + ground			
Male insert	HD STC 25 25	73.710.2553.0	10
Female inserts	HD BUC 25 25	73.700.2553.0	10
Contacts for crimp connection			
	mm ² / AWG		
Male reel contacts, Sn	0.75 – 1.5 / 18 – 16	05.544.1000.0	5000
Female reel contacts, Sn	0.75 – 1.5 / 18 – 16	02.124.1000.0	5000
Male single contacts, Sn	0.2 – 0.56 / 24 – 20	05.544.0929.0	200
Female single contacts, Sn	0.2 – 0.56 / 24 – 20	02.124.0929.0	200
Male single contacts, Sn	0.75 – 1.5 / 18 – 16	05.544.1029.0	200
Female single contacts, Sn	0.75 – 1.5 / 18 – 16	02.124.1029.0	200
Male reel contacts, Au	0.5 – 1.5 / 20 – 16	05.544.1400.0	5000
Female reel contacts, Au	0.5 – 1.5 / 20 – 16	02.124.1400.0	5000
Male single contacts, Au	0.5 – 1.5 / 20 – 16	05.544.1429.0	200
Female single contacts, Au	0.5 – 1.5 / 20 – 16	02.124.1429.0	200

TECHNICAL DATA

Rated voltage	250 V
Rated voltage according to UL/CSA	600 V
Rated impulse voltage	4 kV
Rated current	10 A
Degree of pollution	3

Rated cross section	
EN 60999	0.2 – 1.5 mm ²

Contacts	
Material	Copper alloy
Surface	Au, Sn
Insulation strip length	4 mm
Contact resistance	≤ 4 mΩ
Mating cycles	Au 500 / Sn 50

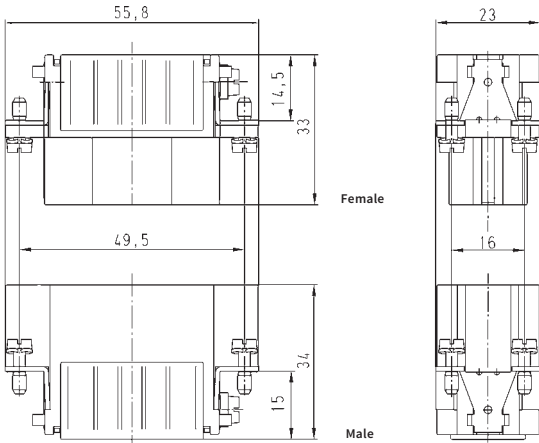
Screws	
	head design / recomm. torque
Mounting screws	H1 / 0.5 – 0.7 Nm
Clamping screws	–
Ground conductor screws	M3.5 / 0.8 – 1.0 Nm
Temperature range	-40 °C...+120 °C

ACCESSORIES	Type	Part No.	P.U.
Crimping tool		95.101.0800.0	1
Crimping die	“E”	05.502.2400.0	1
Contact positioner	“2”	05.502.3200.0	1
Extraction tool		05.502.0000.0	1

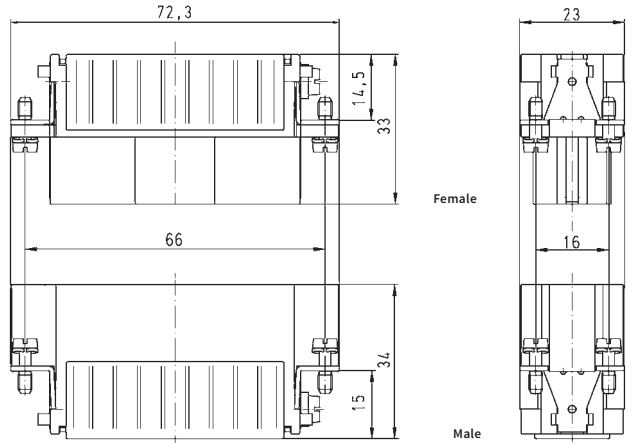
Housing revosHD	Type	Page
Size	10/15	248–251
Size	16/25	252–255
Size	32/50	256–261

DIMENSIONS

15-pole + ground

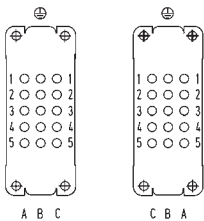


25-pole + ground

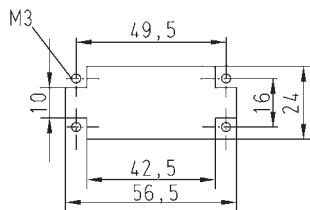


Connection side

Male Female

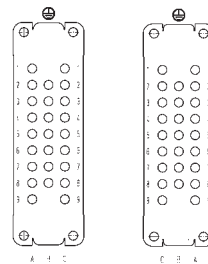


Cut-out

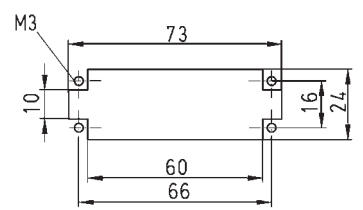


Connection side

Male Female

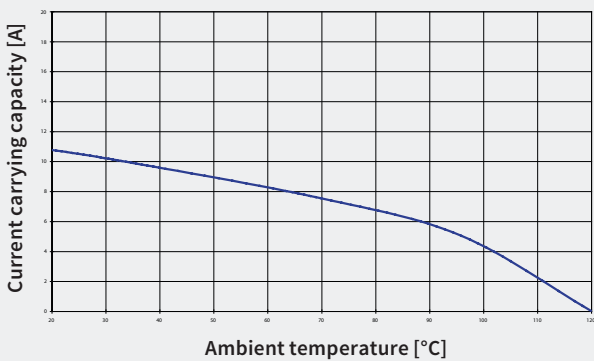


Cut-out



DERATING CURVE according to IEC 60512 sec. 3

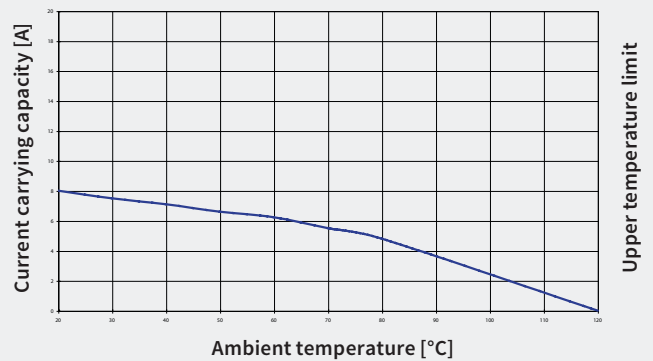
73.700/710.1553.0 revosHD 15-pole 250 V / 10 A / 1.5 mm²



— Corrected current AC [A]

DERATING CURVE according to IEC 60512 sec. 3

73.700/710.2553.0 revos D 25-pole 250 V / 10 A / 1.5 mm²

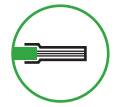


Upper temperature limit

Upper temperature limit

REVOS HD · 250 V CONTACT INSERTS

Crimp connection



40-pole + ground
Size 16



64-pole + ground
Size 24

Description	Type	Part No.	P.U.
Contact inserts revosHD 250 V	40-pole + ground		
Male insert	HD STC 40 25	73.710.4058.0	10
Female insert	HD BUC 40 25	73.700.4058.0	10
Contact inserts revosHD 250 V	64-pole + ground		
Male insert	HD STC 64 25	73.710.6458.0	10
Female inserts	HD BUC 64 25	73.700.6458.0	10
Contacts for crimp connection	mm ² / AWG		
Male reel contacts, Sn	0.75 – 1.5 / 18 – 16	05.544.1000.0	5000
Female reel contacts, Sn	0.75 – 1.5 / 18 – 16	02.124.1000.0	5000
Male single contacts, Sn	0.2 – 0.56 / 24 – 20	05.544.0929.0	200
Female single contacts, Sn	0.2 – 0.56 / 24 – 20	02.124.0929.0	200
Male single contacts, Sn	0.75 – 1.5 / 18 – 16	05.544.1029.0	200
Female single contacts, Sn	0.75 – 1.5 / 18 – 16	02.124.1029.0	200
Male reel contacts, Au	0.5 – 1.5 / 20 – 16	05.544.1400.0	5000
Female reel contacts, Au	0.5 – 1.5 / 20 – 16	02.124.1400.0	5000
Male single contacts, Au	0.5 – 1.5 / 20 – 16	05.544.1429.0	200
Female single contacts, Au	0.5 – 1.5 / 20 – 16	02.124.1429.0	200

TECHNICAL DATA	
Rated voltage	250 V
Rated voltage according to UL/CSA	600 V
Rated impulse voltage	4 kV
Rated current	10 A
Degree of pollution	3
Rated cross section	
EN 60999	0.2 – 1.5 mm ²
Contacts	
Material	Copper alloy
Surface	Au, Sn
Insulation strip length	4 mm
Contact resistance	≤ 4 mΩ
Mating cycles	Au 500 / Sn 50
Screws	head design / recomm. torque
Mounting screws	H1 / 0.5 – 0.7 Nm
Clamping screws	–
Ground conductor screws	M3.5 / 0.8 – 1.0 Nm
Temperature range	-40 °C...+120 °C

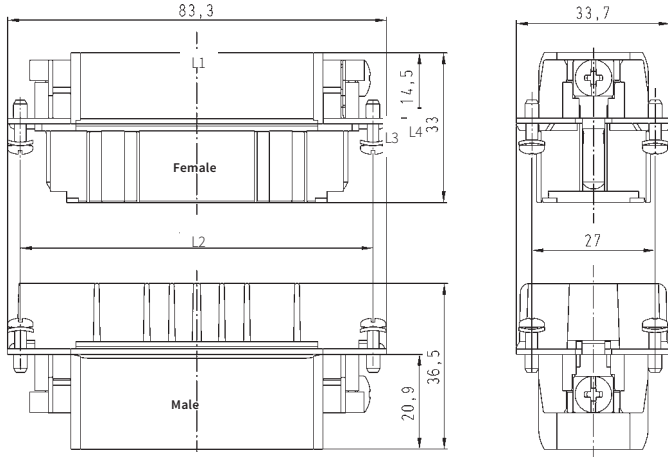
ACCESSORIES	Type	Part No.	P.U.
Crimping tool		95.101.0800.0	1
Crimping die	“E”	05.502.2400.0	1
Contact positioner	“2”	05.502.3200.0	1
Extraction tool		05.502.0000.0	1

Housing revosBASIC	Type	Page
Size	16H	184–185, 188–189, 194–197, 200–201, 228–229
Size	24H	204–205, 208–209, 214–217, 220–221

Derating curve see page 73.

DIMENSIONS

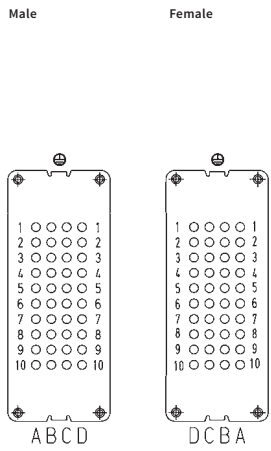
40-pole + ground – 80-pole + ground



Number of poles	L1 [mm]	L2 [mm]	L3 [mm]	L4 [mm]
10	83.3	77.5	14.5	33.0
16	109.8	104.0	14.4	33.5

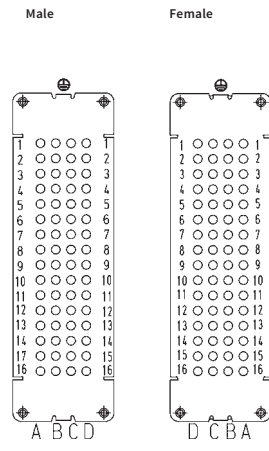
40-pole + ground

Connection side

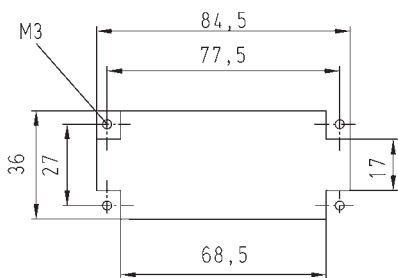


64-pole + ground

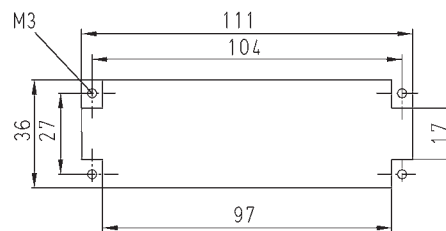
Connection side



Cut-out



Cut-out



REVOS HD · 250 V MULTIPOLE ADAPTER

Screw connection



40-pole + ground
Size 16



64-pole + ground
Size 24

Description	Type	Part No.	P.U.
Multipole adapter revosHD 250 V			
40-pole + ground			
Male insert, ground right	HD SAS WR 40 2,5 25	73.115.4053.0	4
Female insert, ground right	HD BAS WR 40 2,5 25	73.105.4053.0	4
Male insert, ground left	HD SAS WL 40 2,5 25	73.110.4053.0	4
Female insert, ground left	HD BAS WL 40 2,5 25	73.100.4053.0	4
Multipole adapter revosHD 250 V			
64-pole + ground			
Male insert, ground right	HD SAS WR 64 2,5 25	73.115.6453.0	2
Female insert, ground right	HD BAS WR 64 2,5 25	73.105.6453.0	2
Male insert, ground left	HD SAS WL 64 2,5 25	73.110.6453.0	2
Female insert, ground left	HD BAS WL 64 2,5 25	73.100.6453.0	2

TECHNICAL DATA

Rated voltage	250 V
Rated voltage according to UL/CSA	600 V
Rated impulse voltage	4 kV
Rated current	10 A
Degree of pollution	3

Rated cross section

EN 60999	0.5 – 2.5 mm ²
----------	---------------------------

Contacts

Material	Copper alloy
Surface	Sn
Insulation strip length	12 mm
Contact resistance	≤ 6 mΩ
Mating cycles	50

Screws

	head design / recomm. torque
Mounting screws	H1 / 0.5 – 0.7 Nm
Clamping screws	M2.5 / 0.4 – 0.6 Nm
Ground conductor screws	H1 / 1.2 – 1.6 Nm
Temperature range	-40 °C...+120 °C

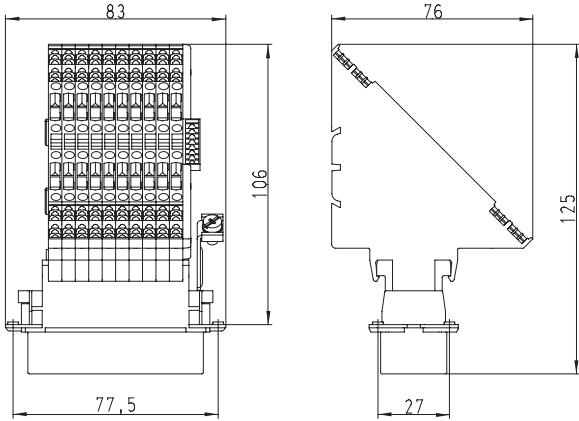
Housing

These multipole adapters may only be used with the following bases:

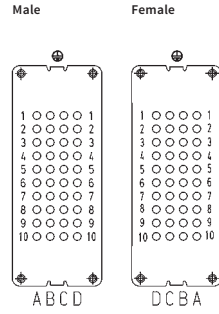
Description	Type	Part No.	P.U.
Open-bottom base, Size 16			
without cover, double locking lever	BAS GUT GX 16H 50 A	73.326.4028.0	1
with cover, double locking lever	BAS GUT GY 16H 50 A	73.327.4028.0	1
without cover, single locking lever	BAS GUT GV 16H 50 A	76.326.4028.0	1
with cover, single locking lever	BAS GUT GW 16H 50 A	76.327.4028.0	1
Open-bottom base, Size 24			
without cover, double locking lever	BAS GUT GX 24H 50 A	73.326.6428.0	1
with cover, double locking lever	BAS GUT GY 24H 50 A	73.327.6428.0	1
without cover, single locking lever	BAS GUT GV 24H 50 A	76.326.6428.0	1
with cover, single locking lever	BAS GUT GW 24H 50 A	76.327.6428.0	1

DIMENSIONS

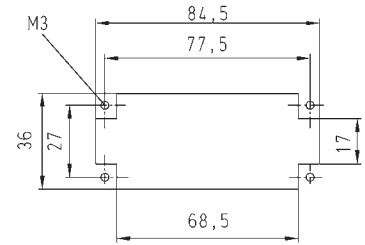
40-pole + ground



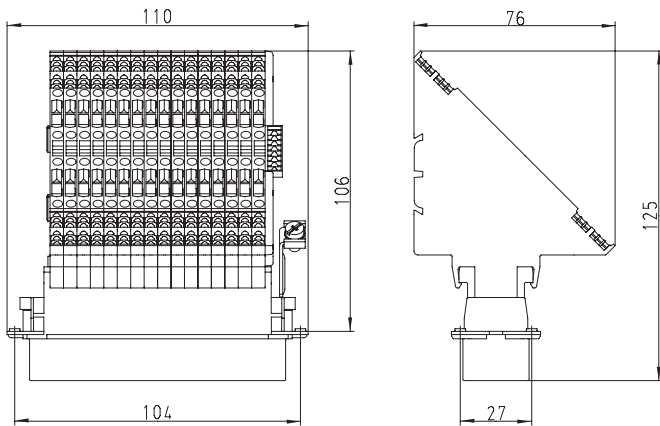
Connection side



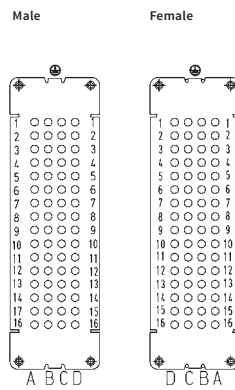
Cut-out



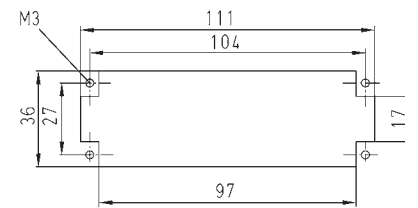
64-pole + ground



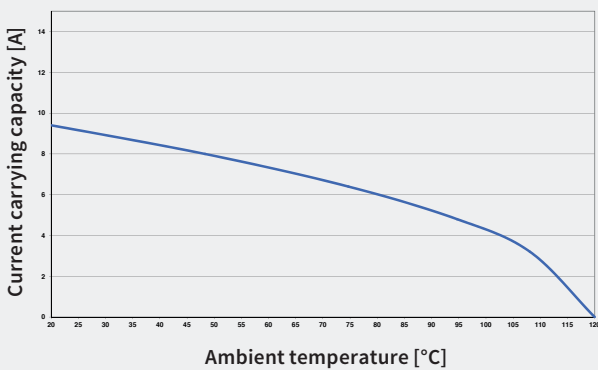
Connection side



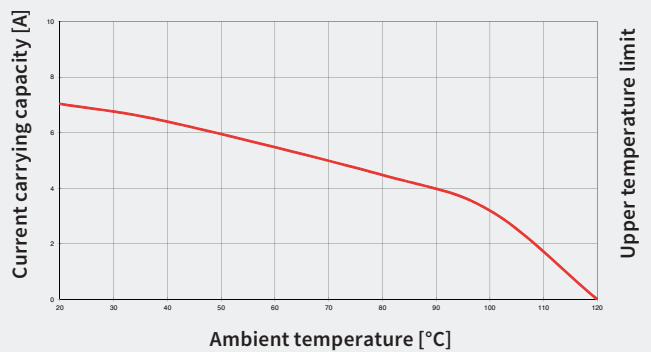
Cut-out



DERATING CURVE according to IEC 60512 sec. 3
 revosHD 40-pole / 1.5 mm²



DERATING CURVE according to IEC 60512-5-2
 73.700/710.6458.0 revos HD 64-pole



REVOS POWER · 400 V 35 A CONTACT INSERTS

Screw connection



6-pole + ground
400 V
Size 16

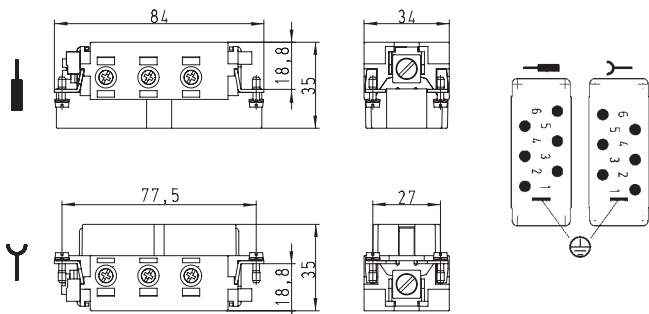
Description	Type	Part No.	P.U.
Contact inserts revosPOWER	6-pole + ground		
Male insert	POW STS 6 6,0 40 AG	70.210.0653.0	10
Female insert	POW BUS 6 6,0 40 AG	70.200.0653.0	10

TECHNICAL DATA	
Rated voltage	400 V
Rated voltage according to UL/CSA	600 V
Rated impulse voltage	6 kV
Rated current	35 A
Degree of pollution	3
Rated cross section	
EN 60999	2.5 – 6 mm ²
Contacts	
Material	Copper alloy
Surface	Ag
Insulation strip length	10 mm
Contact resistance	≤ 0.6 mΩ
Mating cycles	200
Screws	head design / recomm. torque
Mounting screws	H1 / 0.5 – 0.7 Nm
Clamping screws	H1 / 1.2 – 1.6 Nm
Ground conductor screws	M5 / 2.0 – 2.5 Nm
Temperature range	-40 °C...+120 °C

Housing revosBASIC	Type	Page
Size	16/16 H	182–201
Size	16XL	197

DIMENSIONS

6-pole + ground 400 V



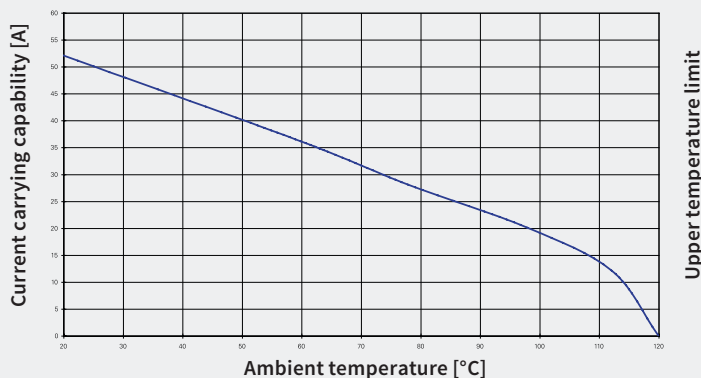
DERATING CURVE

according to IEC 60512 sec. 3

revosPOWER

70.200/210.0653.0 revosPOWER

6-pole 400 V / 35 A / 6.0 mm²



REVOS POWER · 690 V 35 A CONTACT INSERTS

Screw connection



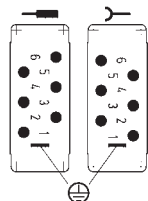
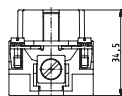
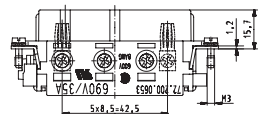
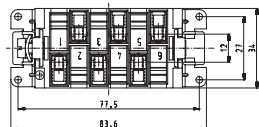
6-pole + ground
690 V
Size 16

Description	Type	Part No.	P.U.
Contact inserts revosPOWER	6-pole + ground		
Male insert	POW STS 6 6,0 69 AG	72.210.0653.0	10
Female insert	POW BUS 6 6,0 69 AG	72.200.0653.0	10

TECHNICAL DATA		
Rated voltage	690 V	
Rated voltage according to UL/CSA	600 V	
Rated impulse voltage	8 kV	
Rated current	35 A	
Degree of pollution	3	
Rated cross section		
EN 60999	2.5 – 6 mm ²	
Contacts		
Material	Copper alloy	
Surface	Ag	
Insulation strip length	10 mm	
Contact resistance	≤ 0.6 mΩ	
Mating cycles	200	
Screws	head design / recomm. torque	
Mounting screws	H1 / 0.5 – 0.7 Nm	
Clamping screws	H1 / 1.2 – 1.6 Nm	
Ground conductor screws	M5 / 2.0 – 2.5 Nm	
Temperature range	-40 °C...+120 °C	
Housing revosBASIC	Type	Page
Size	16H	184–185, 188–189, 194–197, 200–201, 228–229
Size	16XL	197

DIMENSIONS

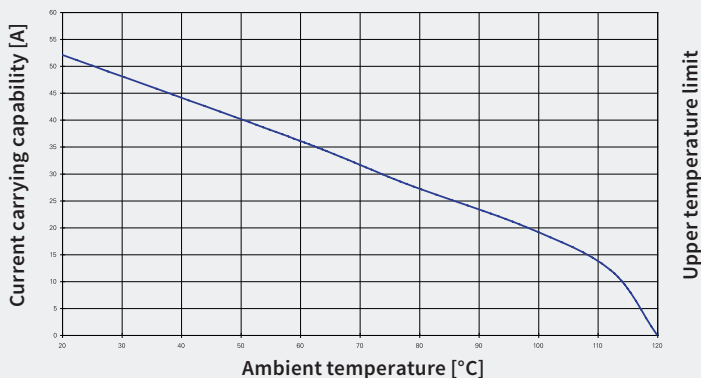
6-pole + ground 690 V



DERATING CURVE

according to IEC 60512 sec. 3

revosPOWER
72.200/210.0653.0 revosPOWER
6-pole 690 V / 35 A / 6.0 mm²



REVOS POWER · 400/690 V 82 A

CONTACT INSERTS – Screw connection



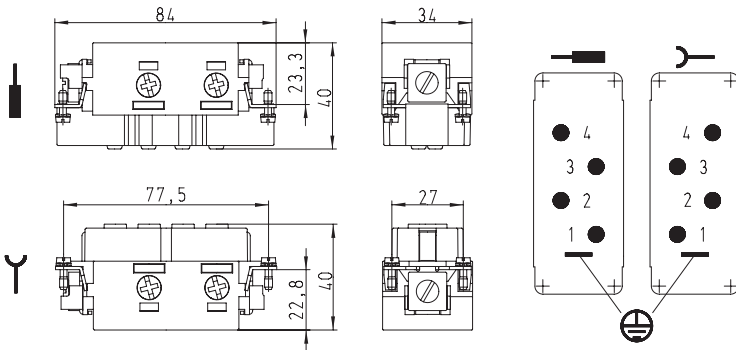
4-pole + ground
400/690 V
Size 16H

Description	Type	Part No.	P.U.
Contact inserts revosPOWER	4-pole + ground		
Male insert	POW STS 4 16 64 AG	72.218.0453.0	10
Female insert	POW BUS 4 16 64 AG	72.208.0453.0	10

TECHNICAL DATA	
Rated voltage	L-PE 400 V / L-L 690 V
Rated voltage according to UL/CSA	600 V
Rated impulse voltage	6 kV
Rated current	82 A
Degree of pollution	3
Rated cross section	
EN 60999	6 – 16 mm ²
Contacts	
Material	Copper alloy
Surface	Ag
Insulation strip length	10 mm
Contact resistance	≤ 0.6 mΩ
Mating cycles	200
Screws	head design / recomm. torque
Mounting screws	H1 / 0.5 – 0.7 Nm
Clamping screws	H1 / 2.5 – 3.0 Nm
Ground conductor screws	M5 / 2.0 – 2.5 Nm
Temperature range	-40 °C...+120 °C
Housing revosBASIC	
Type	Page
Size	16/16 H 182–201
Size	16XL 197

DIMENSIONS

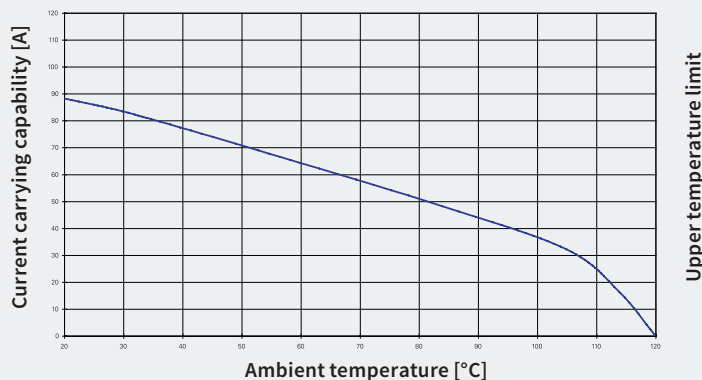
4-pole + ground 400/690 V



DERATING CURVE

according to IEC 60512 sec. 3

72.208/218.0453.0 revosPOWER
4-pole 690 V / 400 V / 82 A / 16.0 mm²



REVOS POWER · 690 V 4 X 35 A, 6 X 16 A CONTACT INSERTS – Screw connection



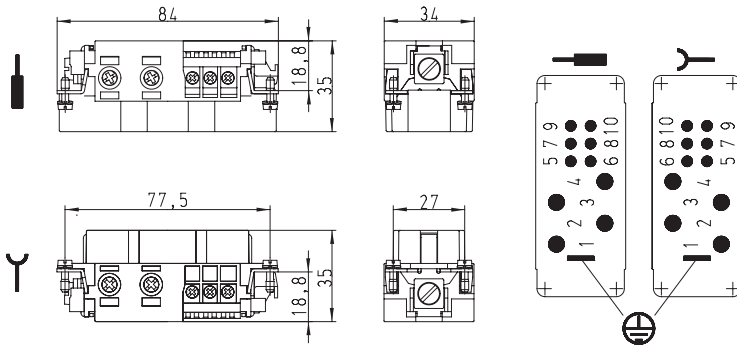
4-/6-pole + ground
690 V
Size 16

Description	Type	Part No.	P.U.
Contact inserts revosPOWER	4-/6-pole + ground		
Male insert	POW STS 4/6 DA D AG	72.215.1053.0	10
Female insert	POW BUS 4/6 DA D AG	72.205.1053.0	10

TECHNICAL DATA		
Rated voltage	690 V	
Rated voltage according to UL/CSA	600 V	
Rated impulse voltage	8 kV	
Rated current	4 Contacts 35 A / 6 Contacts 16 A	
Degree of pollution	3	
Rated cross section		
EN 60999	4 x 2.5 – 6 mm ² and 6 x 1 – 2.5 mm ²	
Contacts		
Material	Copper alloy	
Surface	>16 A Ag / 16 A Sn	
Insulation strip length	10 mm / 7 mm	
Contact resistance	≤ 1.0 mΩ	
Mating cycles	200	
Screws	head design / recomm. torque	
Mounting screws	H1 / 0.5 – 0.7 Nm	
Clamping screws	4 x H1 / 1.2 – 1.6 Nm / 6 x H1 / 0.5 – 0.7 Nm	
Ground conductor screws	M5 / 2.0 – 2.5 Nm	
Temperature range	-40 °C...+120 °C	
Housing revosBASIC		
	Type	Page
Size	16H	184–185, 188–189, 194–197, 200–201, 228–229
Size	16XL	197

DIMENSIONS

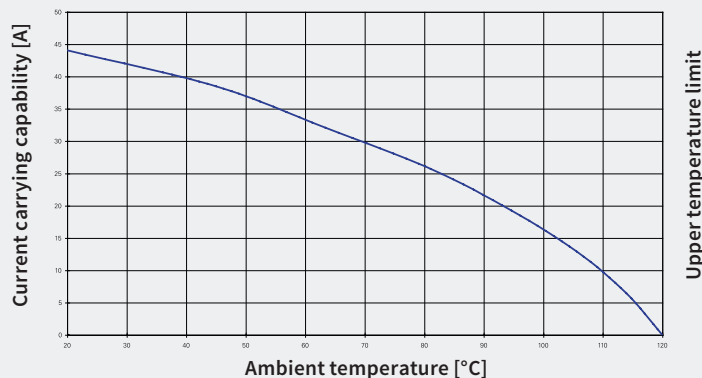
4-/6-pole + ground 690 V



DERATING CURVE

according to IEC 60512 sec. 3

72.215/205.1053.0 revosPOWER
6+4-pole 690 V
35 A / 16 A / 6,0 mm² / 2.5 mm²



REVOS POWER · 400/690 V 40 A + 230/400 V 16 A

CONTACT INSERTS – Screw connection



6-/6-pole + ground
Size 16/16XL

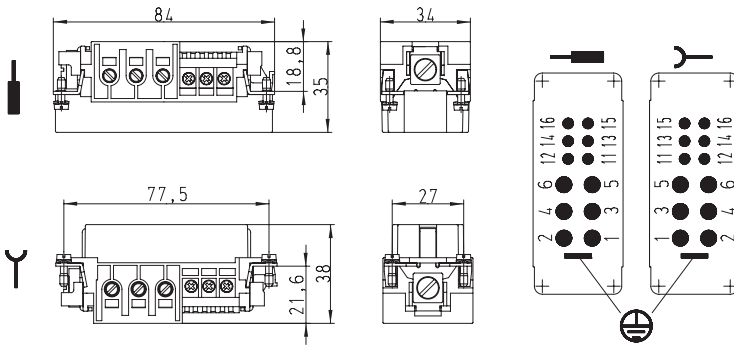
Description	Type	Part No.	P.U.
Contact inserts revosPOWER	6-/6-pole + ground		
Male insert	POW STS 6/6 GC CA AG	72.215.1253.0	10
Female insert	POW BUS 6/6 GC CA AG	72.205.1253.0	10

TECHNICAL DATA	
Rated voltage	L-PE 400 V / L-L 690 V and L-PE 230 V / L-L 400 V
Rated voltage according to UL/CSA	600 V
Rated impulse voltage	6 Contacts 6 kV / 6 Contacts 4 kV
Rated current	6 Contacts 40 A / 6 Contacts 16 A
Degree of pollution	3
Rated cross section	
EN 60999	6 x 4 – 10 mm ² and 6 x 1 – 2.5 mm ²
Contacts	
Material	Copper alloy
Surface	>16 A Ag / 16 A Sn
Insulation strip length	10 mm / 7 mm
Contact resistance	≤ 1.5 mΩ
Mating cycles	200
Screws	head design / recomm. torque
Mounting screws	H1 / 0.5 – 0.7 Nm
Clamping screws	6 x H1 / 0.5 – 0.7 Nm / 6 x M5 / 0.8 – 1.0 Nm
Ground conductor screws	M5 / 2.0 – 2.5 Nm
Temperature range	-40 °C...+120 °C

Description	Type	Part No.	P.U.
Housing revosBASIC			
Hood, Size 16 XL	POW GOT GA 16 M40 69 A2	72.250.1635.2	1
Open-bottom base, Size 16	BAS GUT GA 16 69 A	70.320.1628.0	1

DIMENSIONS

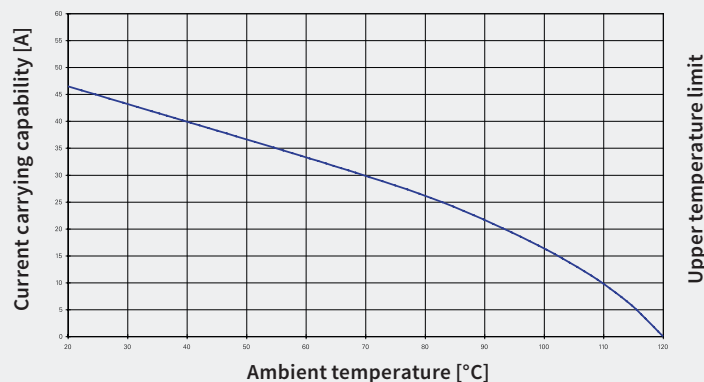
6-/6-pole + ground



DERATING CURVE

according to IEC 60512 sec. 3

72.205/215.1253.0 revosPOWER
6+6-pole 690 V / 400 V / 230 V
40 A / 16 A / 10.0 mm² / 2.5 mm²



REVOS POWER · 400/690 V 100 A/40 A + 230/400 V 16 A CONTACT INSERTS – Screw connection



3-/3-/6-pole + ground
Size 24/24XL

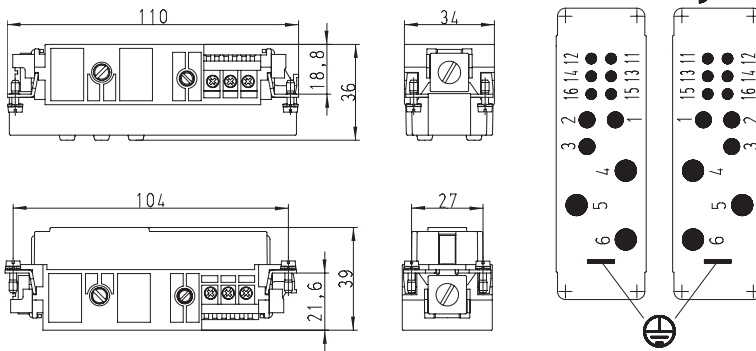
Description	Type	Part No.	P.U.
Contact inserts revosPOWER	4-/6-pole + ground		
Male insert	POW STS 3/3/6 HEA CA AG	72.213.1253.0	10
Female insert	POW BUS 3/3/6 HEA CA AG	72.203.1253.0	10

TECHNICAL DATA	
Rated voltage	L-PE 400 V / L-L 690 V AND L-PE 400 V / L-L 690 V and L-PE 230 V / L-L 400 V
Rated voltage according to UL/CSA	600 V
Rated impulse voltage	3 Contacts 6 kV / 3 Contacts 6 kV / 6 Contacts 4 kV
Rated current	3 Contacts 100 A / 3 Contacts 40 A / 6 Contacts 16 A
Degree of pollution	3
Rated cross section	
EN 60999	3 x 10 – 25 mm ² and 3 x 4 – 10 mm ² and 6 x 1 – 2.5 mm ²
Contacts	
Material	Copper alloy
Surface	>16 A Ag / 16 A Sn
Insulation strip length	14 mm / 10 mm / 7 mm
Contact resistance	≤ 1.5 mΩ
Mating cycles	200
Screws	head design / recomm. torque
Mounting screws	H1 / 0.5 – 0.7 Nm
Clamping screws	3 x M6 / 1.2 – 1.6 Nm and 3 x M5 / 0.8 – 1.0 Nm and 6 x H1 / 0.5 – 0.7
Ground conductor screws	M5 / 2.0 – 2.5 Nm
Temperature range	-40 °C...+120 °C

Description	Type	Part No.	P.U.
Housing revosBASIC			
Hood, Size 24 XL	POW GOT GA 24 M50 69 A2	72.250.2435.2	1
Open-bottom base, Size 24	BAS GUT GA 24 69 A	70.320.2428.0	1

DIMENSIONS

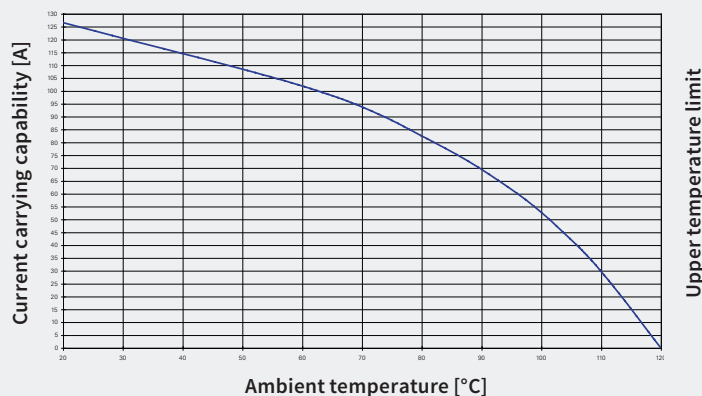
3-/3-/6-pole + ground



DERATING CURVE

according to IEC 60512 sec. 3

72.203/213.1253.0 revosPOWER
3+3+6-pole 690 V / 230 V
100 A / 40 A / 16 A
25 mm² / 16.0 mm² / 2.5 mm²



REVOS POWER · 690 V 82 A + 400 V 16 A CONTACT INSERTS – Screw connection

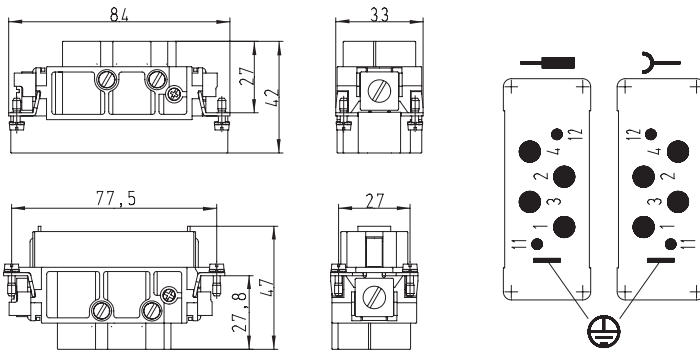


4-/2-pole + ground
690/400 V
Size 16

Description	Type	Part No.	P.U.
Contact inserts revos^{POWER}	4-/2-pole + ground		
Male insert	POW STS 4/2 FA DB AG	72.215.0653.0	10
Female insert	POW BUS 4/2 FA DB AG	72.205.0653.0	10
TECHNICAL DATA			
Rated voltage	690 V and 400 V		
Rated voltage according to UL/CSA	600 V		
Rated impulse voltage	8 kV / 6 kV		
Rated current	4 Contacts 82 A (CSA 70 A) / 2 Contacts 16 A		
Degree of pollution	3		
Rated cross section			
EN 60999	4 x 6 – 16 mm ² and 2 x 1 – 2.5 mm ²		
Contacts			
Material	Copper alloy		
Surface	>16 A Ag / 16 A Sn		
Insulation strip length	15 mm / 9 mm		
Contact resistance	≤ 1.5 mΩ		
Mating cycles	200		
Screws			
	head design / recomm. torque		
Mounting screws	H1 / 0.5 – 0.7 Nm		
Clamping screws	4 x M6 / 1.2 – 1.6 Nm / 2 x H1 / 0.5 – 0.7 Nm		
Ground conductor screws	M5 / 2.0 – 2.5 Nm		
Temperature range	-40 °C...+120 °C		
Housing revos^{BASIC}		Type	Page
Size	16H	184–185, 188–189, 194–197, 200–201, 228–229	
Size	16XL	197	

DIMENSIONS

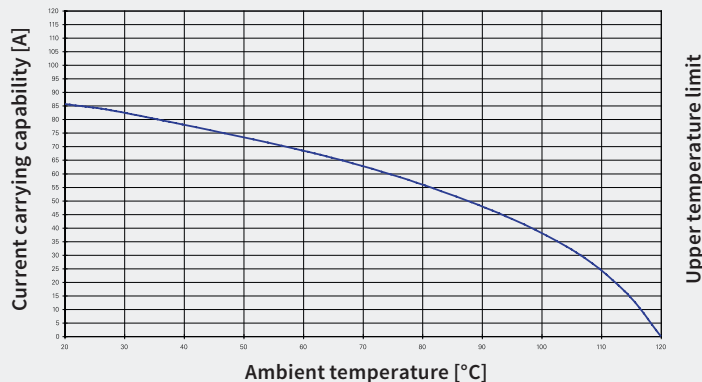
4-/2-pole + ground 690/400 V



DERATING CURVE

according to IEC 60512 sec. 3

72.205/215.0653.0 revos^{POWER}
4+2-pole 690 V / 400 V
82 A / 16 A / 16.0 mm² / 2.5 mm²



REVOS POWER · 400 V 80 A + 400 V 16 A CONTACT INSERTS – Screw connection



**4-/8-pole + ground
400 V
Size 24**

Note: The protective earth connection must be provided with the respective cable lug for 10 mm² and 16 mm² cross-sections.

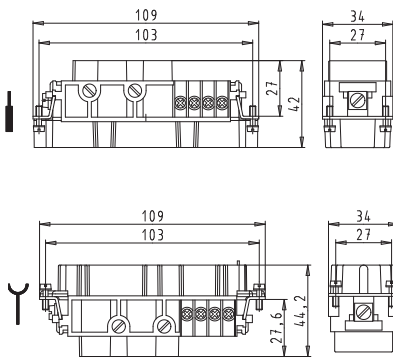
Description	Type	Part No.	P.U.
Contact inserts revos^{POWER}	4-/8-pole + ground		
Male insert	POW STS 4/8 NL BB AG	72.216.1253.0	5
Female insert	POW BUS 4/8 NL BB AG	72.206.1253.0	5

TECHNICAL DATA	
Rated voltage	400 V
Rated voltage according to UL/CSA	600 V
Rated impulse voltage	4 Contacts 6 kV / 8 Contacts 6 kV
Rated current	4 Contacts 80 A / 8 Contacts 16 A
Degree of pollution	3
Rated cross section	
EN 60999	4 x 1.5 – 16 mm ² and 8 x 0.5 – 2.5 mm ²
Contacts	
Material	Copper alloy
Surface	Ag
Insulation strip length	Power contacts 14 mm / Control contacts 7.5 mm
Contact resistance	Power contacts ≤ 0.3 mΩ / Control contacts ≤ 1 mΩ
Mating cycles	500
Screws	head design / recomm. torque
Mounting screws	4 x M3 / 0.5 Nm
Ground conductor screws	M5 / 2.0 Nm
Temperature range	-40 °C...+120 °C

ACCESSORIES	Type	Part No.	P.U.
Fork cable lug for protective earth connection 10 mm ²		06.600.6127.6	10
Fork cable lug for protective earth connection 16 mm ²		06.600.6227.6	10
Crimping tool		95.101.0800.0	1
Crimping die for connection range 10 mm ²		05.502.2800.0	1
Crimping die for connection range 16 mm ²		05.502.2900.0	1
Housing revos^{BASIC}	24/24H	Page 202–221	

DIMENSIONS

4-/8-pole + ground 400 V



Clamping screws

Power contacts

Rated cross section	mm ²	1.5	2.5	4	6	10	16
Tightening torque	Nm	1.2	2	3	3	3	3
Insulation strip length	mm	14					

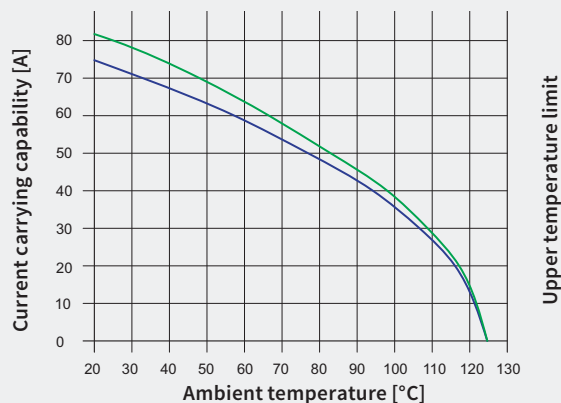
Control contacts

Rated cross section	mm ²	0.5 – 2.5
Tightening torque	Nm	0.5
Insulation strip length	mm	7.5

DERATING CURVE – POWER CONTACTS according to IEC 60512 sec. 3

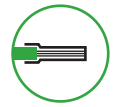
72.206/216.1253.0 revos^{POWER}
4-/8-pole / 400 V

- Cross-section 10 mm²
- Cross-section 16 mm²



REVOS POWER · 690 V 40 A + 250 V 10 A

CONTACT INSERTS – Crimp connection



12-/2-pole + ground
Size 16H

Description	Type	Part No.	P.U.
Contact inserts revos^{POWER}			
12-/2-pole + ground			
Male insert	POW STC 12/2 DE	72.713.1453.0	5
Female insert	POW BUC 12/2 DE	72.703.1453.0	5
Contact			
	mm ² / AWG, turned ø 4 mm		
Male insert, Ag, Crimping die H	1.5 / 16	05.545.9200.8	100
Female insert, Ag, Crimping die H	1.5 / 16	02.126.6700.8	100
Male insert, Ag, Crimping die H	2.5 / 14	05.545.9300.8	100
Female insert, Ag, Crimping die H	2.5 / 14	02.126.6800.8	100
Male insert, Ag, Crimping die D	6 / 10	05.545.9500.8	100
Female insert, Ag, Crimping die H	6 / 10	02.126.7000.8	100
Contact			
	mm ² / AWG, turned ø 1.6 mm		
Male insert, Ag	0.14 – 0.37 / 26 – 22	05.545.7900.8	100
Female insert, Ag	0.14 – 0.37 / 26 – 22	02.126.5400.8	100
Male insert, Ag	0.5 / 20	05.545.8000.8	100
Female insert, Ag	0.5 / 20	02.126.5500.8	100
Male insert, Ag	0.75 / 18	05.545.8100.8	100
Female insert, Ag	0.75 / 18	02.126.5600.8	100
Male insert, Ag	1.0 / 18	05.545.8200.8	100
Female insert, Ag	1.0 / 18	02.126.5700.8	100
Male insert, Ag	1.5 / 16	05.545.8300.8	100
Female insert, Ag	1.5 / 16	02.126.5800.8	100

TECHNICAL DATA

Rated voltage	690 V + 250 V
Rated voltage according to UL/CSA	600 V
Rated impulse voltage	12 Contacts 8 kV / 2 Contacts 4 kV
Rated current	12 Contacts 40 A / 2 Contacts 10 A
Degree of pollution	3
Rated cross section	
EN 60999	12 x 1.5 – 6 mm ² + 2 x 0.14 – 2.5 mm ²
Contacts	
Material	Copper alloy
Surface	Ag
Insulation strip length	Power contacts 7.5 mm / Control contacts 8 mm
Contact resistance	Power contacts ≤ 0.3 mΩ / Control contacts ≤ 3 mΩ
Mating cycles	500
Screws	
	head design / recomm. torque
Mounting screws	4 x M3 / 0.5 Nm
Ground conductor screws	M5 / 2.0 Nm
Temperature range	-40 °C...+120 °C

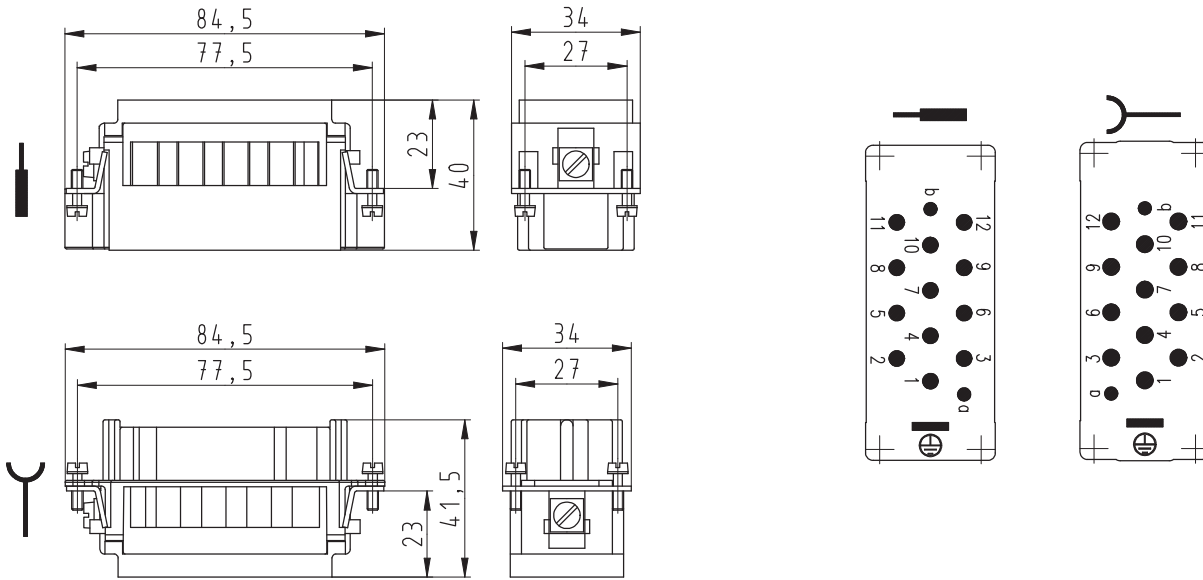
ACCESSORIES	Type	Part No.	P.U.
Crimping tool		95.101.0800.0	1
Crimping die for contacts Ø 4 mm	"H"	05.502.5000.0	1
Crimping die for contacts Ø 4 mm	"D"	05.502.2300.0	1
Contacting for contacts Ø 4 mm	"6"	05.502.5200.0	1
Crimping die for contacts Ø 1.6 mm	"G"	05.502.4900.0	1
Contacting for contacts Ø 1.6 mm	"5"	05.502.5100.0	1
Extraction tool for crimp contacts	40 A / Ø 4 mm	05.502.4400.0	1
Extraction tool for crimp contacts	10 A / Ø 1.6 mm	05.502.0710.0	1

Housing revos ^{BASIC}	Type	Page
Size	16H	184–185, 188–189, 194–197, 200–201, 228–229



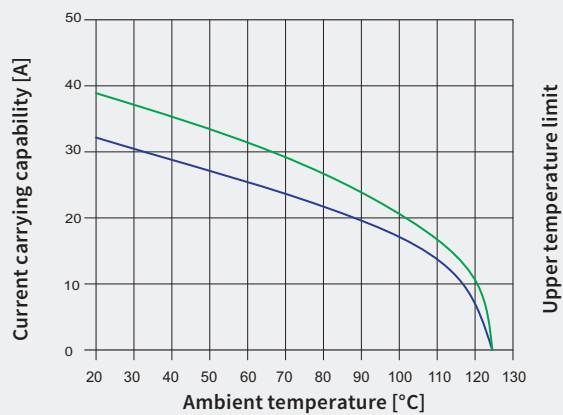
DIMENSIONS

12-/2-pole + ground



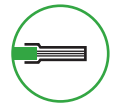
DERATING CURVE – POWER CONTACTS according to IEC 60512 sec 3 revosPOWER 12-/2-pole

- Cross-section 4 mm²
- Cross-section 6 mm²



REVOS POWER · 690 V 40 A + 160 V 10 A

CONTACT INSERTS – Crimp connection

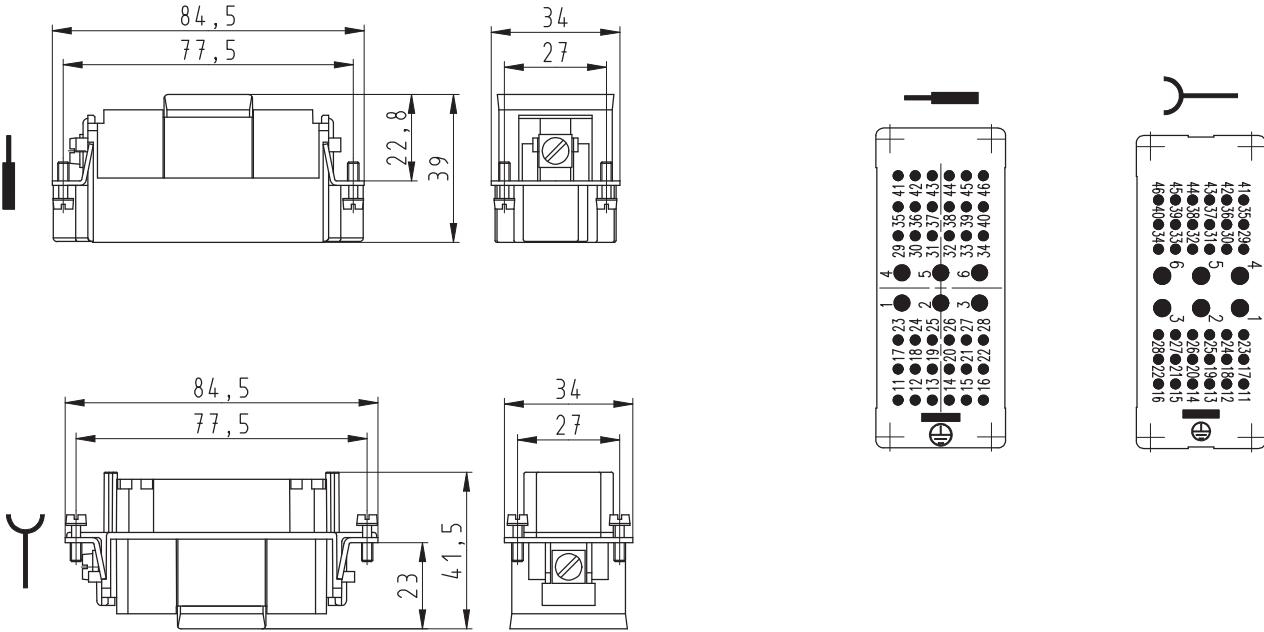


6-/36-pole + ground
Size 16H

Description	Type	Part No.	P.U.
Contact inserts revos^{POWER}			
6-/36-pole + ground			
Male insert	POW STC 6/36 DF	72.713.4253.0	5
Female insert	POW BUC 6/36 DF	72.703.4253.0	5
Contact	mm ² / AWG, turned ø 4 mm		
Male insert, Ag, Crimping die H	1.5 / 16	05.545.9200.8	100
Female insert, Ag, Crimping die H	1.5 / 16	02.126.6700.8	100
Male insert, Ag, Crimping die H	2.5 / 14	05.545.9300.8	100
Female insert, Ag, Crimping die H	2.5 / 14	02.126.6800.8	100
Male insert, Ag, Crimping die D	6 / 10	05.545.9500.8	100
Female insert, Ag, Crimping die H	6 / 10	02.126.7000.8	100
Contact	mm ² / AWG, turned ø 1.6 mm		
Male insert, Ag	0.14 – 0.37 / 26 – 22	05.545.7900.8	100
Female insert, Ag	0.14 – 0.37 / 26 – 22	02.126.5400.8	100
Male insert, Ag	0.5 / 20	05.545.8000.8	100
Female insert, Ag	0.5 / 20	02.126.5500.8	100
Male insert, Ag	0.75 / 18	05.545.8100.8	100
Female insert, Ag	0.75 / 18	02.126.5600.8	100
Male insert, Ag	1.0 / 18	05.545.8200.8	100
Female insert, Ag	1.0 / 18	02.126.5700.8	100
Male insert, Ag	1.5 / 16	05.545.8300.8	100
Female insert, Ag	1.5 / 16	02.126.5800.8	100
TECHNICAL DATA			
Rated voltage	690 V + 160 V		
Rated voltage according to UL/CSA	600 V		
Rated impulse voltage	6 Contacts 8 kV / 36 Contacts 2.5 kV		
Rated current	6 Contacts 40 A / 36 Contacts 10 A		
Degree of pollution	3		
Rated cross section			
EN 60999	6 x 1,5 – 6 mm ² + 36 x 0.14 – 2.5 mm ²		
Contacts			
Material	Copper alloy		
Surface	Ag		
Insulation strip length	Power contacts 7.5 mm / Control contacts 8 mm		
Contact resistance	Power contacts ≤ 0.3 mΩ / Control contacts ≤ 3 mΩ		
Mating cycles	500		
Screws	head design / recomm. torque		
Mounting screws	4 x M3 / 0.5 Nm		
Ground conductor screws	M5 / 2.0 Nm		
Temperature range	-40 °C...+120 °C		
ACCESSORIES			
	Type	Part No.	P.U.
Crimping tool		95.101.0800.0	1
Crimping die for contacts Ø 4 mm	“H”	05.502.5000.0	1
Crimping die for contacts Ø 4 mm	“D”	05.502.2300.0	1
Contacting for contacts Ø 4 mm	“6”	05.502.5200.0	1
Crimping die for contacts Ø 1.6 mm	“G”	05.502.4900.0	1
Contacting for contacts Ø 1.6 mm	“5”	05.502.5100.0	1
Extraction tool for crimp contacts	40 A / Ø 4 mm	05.502.4400.0	1
Extraction tool for crimp contacts	10 A / Ø 1.6 mm	05.502.0710.0	1
Housing revos^{BASIC}			
	Type	Page	
Size	16H	184–185, 188–189, 194–197, 200–201, 228–229	

DIMENSIONS

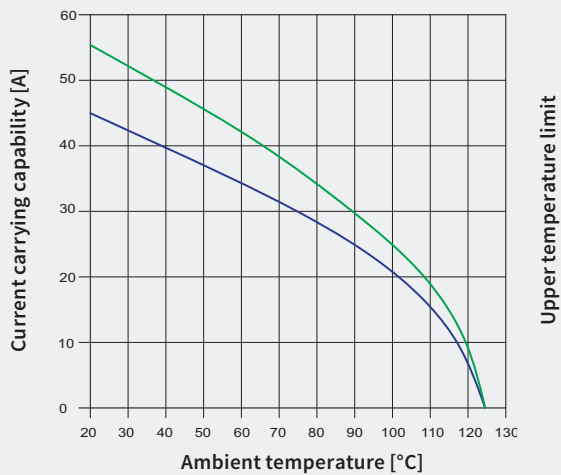
6-/36-pole + ground



DERATING CURVE – POWER CONTACTS according to IEC 60512 sec 3

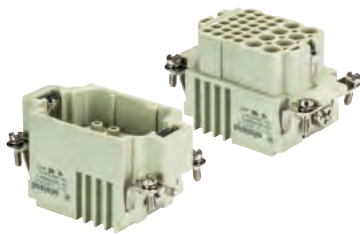
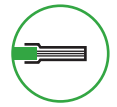
revosPOWER
6-/36-pole

- Cross-section 4 mm²
- Cross-section 6 mm²



REVOS POWER · 230/400 V 16 A + 160 V 10 A

CONTACT INSERTS – Crimp connection

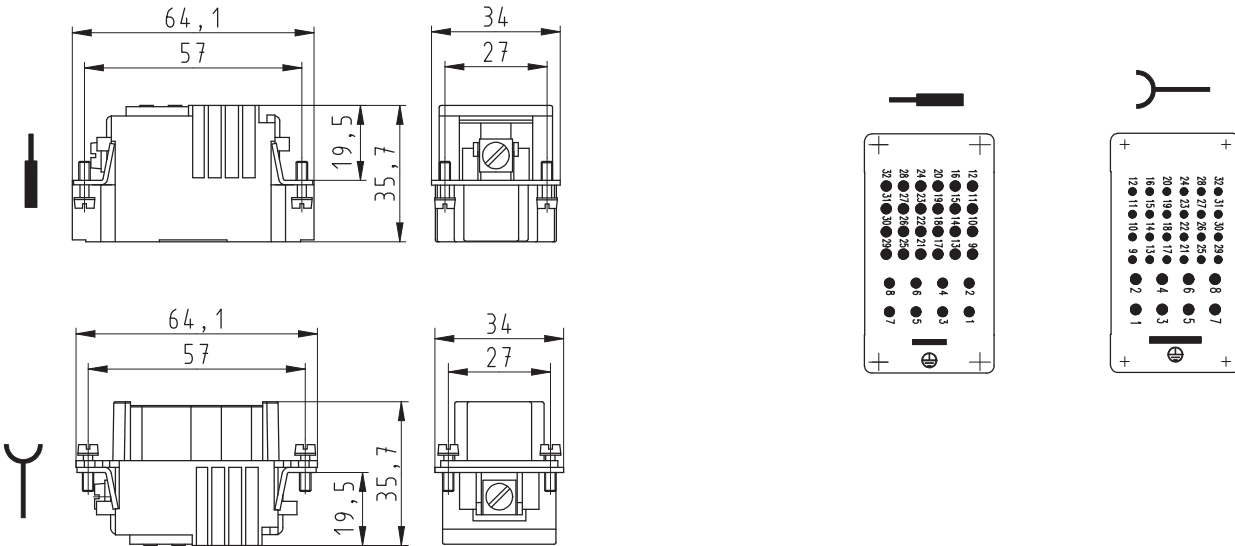


8-/24-pole + ground
Size 10/10H

Description	Type	Part No.	P.U.
Contact inserts revos^{POWER}	8-/24-pole + ground		
Male insert	POW STC 8/24 AF	72.713.3253.0	5
Female insert	POW BUC 8/24 AF	72.703.3253.0	5
Contact	mm ² / AWG, turned ø 2.5 mm		
Male insert, Ag	0.5 / 20	05.545.8600.8	100
Female insert, Ag	0.5 / 20	02.126.6100.8	100
Male insert, Ag	0.75 / 18	05.545.8700.8	100
Female insert, Ag	0.75 / 18	02.126.6200.8	100
Male insert, Ag	1.0 / 18	05.545.8800.8	100
Female insert, Ag	1.0 / 18	02.126.6300.8	100
Male insert, Ag	1.5 / 16	05.545.8900.8	100
Female insert, Ag	1.5 / 16	02.126.6400.8	100
Male insert, Ag	2.5 / 14	05.545.9000.8	100
Female insert, Ag	2.5 / 14	02.126.6500.8	100
Male insert, Ag	4 / 12	05.545.9100.8	100
Female insert, Ag	4 / 12	02.126.6600.8	100
Contact	mm ² / AWG, turned ø 1.6 mm		
Male insert, Ag	0.14 – 0.37 / 26 – 22	05.545.7900.8	100
Female insert, Ag	0.14 – 0.37 / 26 – 22	02.126.5400.8	100
Male insert, Ag	0.5 / 20	05.545.8000.8	100
Female insert, Ag	0.5 / 20	02.126.5500.8	100
Male insert, Ag	0.75 / 18	05.545.8100.8	100
Female insert, Ag	0.75 / 18	02.126.5600.8	100
Male insert, Ag	1.0 / 18	05.545.8200.8	100
Female insert, Ag	1.0 / 18	02.126.5700.8	100
Male insert, Ag	1.5 / 16	05.545.8300.8	100
Female insert, Ag	1.5 / 16	02.126.5800.8	100
TECHNICAL DATA			
Rated voltage	P.C.: L-PE 230 V / L-L 400 V, C.C.: 160 V		
Rated voltage according to UL/CSA	600 V / 300 V		
Rated impulse voltage	8 Contacts 4 kV / 24 Contacts 2.5 kV		
Rated current	8 Contacts 16 A / 24 Contacts 10 kV		
Degree of pollution	3		
Rated cross section	EN 60999		
	8 x 0.5 - 4 mm ² + 24 x 0.14 - 2.5mm ²		
Contacts			
Material	Copper alloy		
Surface	Ag		
Insulation strip length	Power contacts 7.5 mm / Control contacts 8 mm		
Contact resistance	Power contacts ≤ 3 mΩ / Control contacts ≤ 1 mΩ		
Mating cycles	500		
Screws	head design / recomm. torque		
Mounting screws	4 x M3 / 0.5 Nm		
Ground conductor screws	M5 / 2.0 Nm		
Temperature range	-40 °C...+120 °C		
ACCESSORIES			
Crimping tool		95.101.0800.0	1
Crimping die for contacts Ø 2.5 mm	"G"	05.502.4900.0	1
Contact positioner for contacts Ø 2.5 mm	"5"	05.502.5100.0	1
Crimping die for contacts Ø 1.6 mm	"G"	05.502.4900.0	1
Contact positioner for contacts Ø 1.6 mm	"5"	05.502.5100.0	1
Extraction tool for crimp contacts	10 A / Ø 1.6 mm	05.502.0710.0	1
Screw driver	1750 PH 0x60 031219	06.502.4900.0	1
Housing revos^{BASIC}			
Type	Type	Page	
Size	10/10H	164–181, 228–230, 236–239	

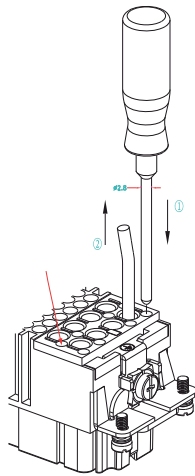
DIMENSIONS

8-/24-pole + ground



Disassembling the power contacts

- 1) Insert screwdriver (size 0 DIN ISO 8764-1-PH) up until stop in opening of the contact to be disassembled.
- 2) Pull contact out of the contact insert by its wire.

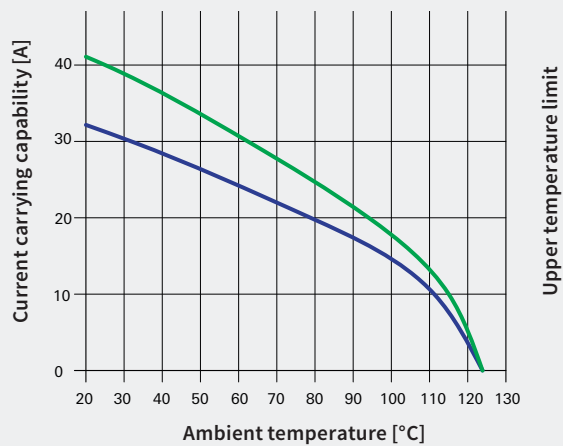


DERATING CURVE – POWER CONTACTS

according to IEC 60512 sec 3
revosPOWER

8-/24-pole

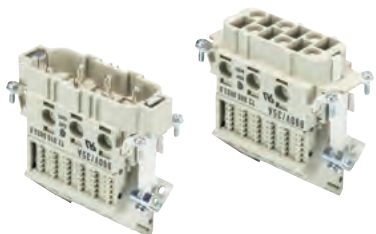
- Cross-section 2,5 mm²
- Cross-section 4 mm²



REVOS POWER · 400 V AND 690 V MULTIPOLE ADAPTER – Screw connection



6-pole + ground 400 V
Size 16
Compatible with 72.200/210.0653.0



6-pole + ground 690 V
Size 16
Compatible with 72.200/210.0653.0

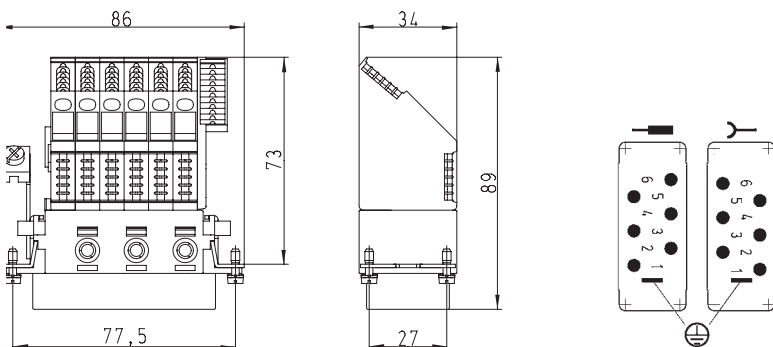
Description	Type	Part No.	P.U.
Multipole adapter revosPOWER 6-pole + ground 400 V			
Male insert ground right	POW SAS WR 6 6,0 40 AG	70.015.0653.0	10
Female insert ground right	POW BAS WR 6 6,0 40 AG	70.005.0653.0	10
Male insert ground left	POW SAS WL 6 6,0 40 AG	70.010.0653.0	10
Female insert ground left	POW BAS WL 6 6,0 40 AG	70.000.0653.0	10
Multipole adapter revosPOWER 6-pole + ground 690 V			
Male insert ground right	POW SAS WR 6 6,0 69 AG	72.015.0653.0	10
Female insert ground right	POW BAS WR 6 6,0 69 AG	72.005.0653.0	10
Male insert ground left	POW SAS WL 6 6,0 69 AG	72.010.0653.0	10
Female insert ground left	POW BAS WL 6 6,0 69 AG	72.000.0653.0	10

TECHNICAL DATA	6-pole + ground 400 V	6-pole + ground 690 V
Installed in a plastic housing	400 V	690 V
Installed in a metal housing	6 kV	8 kV
Rated voltage according to UL/CSA	600 V	
Rated current	35 A	
Degree of pollution	3	
Rated cross section		
EN 60999	2.5 – 6 mm ²	
Contacts		
Material	Copper alloy	
Surface	Ag	
Insulation strip length	12 mm	
Contact resistance	≤ 1 mΩ	
Mating cycles	200	
Screws		
	head design / recomm. torque	
Mounting screws	H1 / 0.5 – 0.7 Nm	
Clamping screws	H1 / 0.8 – 1.0 Nm	
Ground conductor screws	H1 / 1.2 – 1.6 Nm	
Temperature range	-40 °C...+120 °C	

Description	Type	Part No.	P.U.
Open-bottom base revosBASIC			
Size 16, double locking lever	BAS GUT GA 16 50 A	70.320.1628.0	1
Size 16, double locking lever	BAS GUT GE 16 50 A	70.325.1628.0	1
Size 16, single locking lever	BAS GUT GK 16 50 A	71.320.1628.0	1
Size 16, single locking lever	BAS GUT GP 16 50 A	71.325.1628.0	1

DIMENSIONS

6-pole + ground 400 V and 690 V





REVOS IT · DATA CABLE FEED-THROUGH



2 bushings



3 bushings

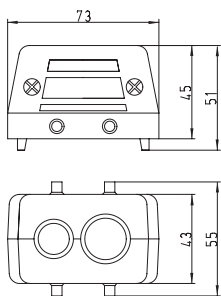


4 bushings

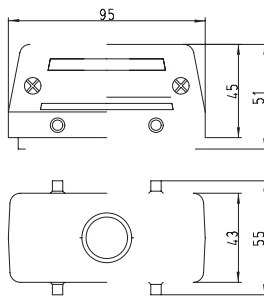
Description	Type	Part No.	P.U.
Data cable feed-through revos IT			
2 bushings, Size 10	IT DKE 10	70.060.1028.0	10
3 bushings, Size 16	IT DKE 16	70.060.1628.0	10
4 bushings, Size 24	IT DKE 24	70.060.2428.0	5
4 bushings, Size 24	IT DKE 24 R1	70.061.2428.0	5
TECHNICAL DATA			
Number of Bushings			
2 bushings	2		
3 bushings	3		
4 bushings	4		
Cable diameter			
2 bushings	1 x 4.5 – 10 mm and 1 x 9 – 15 mm		
3 bushings	2 x 4.5 – 10 mm and 1 x 9 – 15 mm		
4 bushings (70.060.2428.0)	2 x 4.5 – 10 mm and 2 x 9 – 15 mm		
4 bushings (70.061.2428.0)	4 x 4 – 9 mm		
Material			
Housing	Die cast aluminum		
Gaskets	Neoprene (oil-resistant and anti-ageing)		
Clamping screws	galvanically zinc-plated steel		
Protection degree according to EN60529	IP65		
Temperature range	-40 °C...+100 °C		
ACCESSORIES			
Rubber gasket for Connection range	4.5 mm – 10 mm	05.562.3183.0	20
Rubber gasket for Connection range	9 mm – 15 mm	05.562.3283.0	10
Housing Size 10		70.320.1028.0	
Housing Size 16		70.320.1628.0	
Housing Size 24		70.320.2428.0	

DIMENSIONS

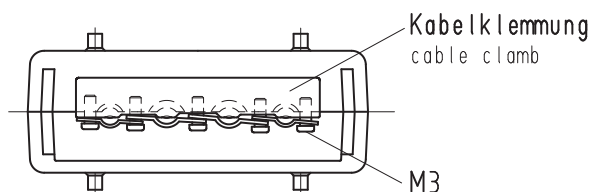
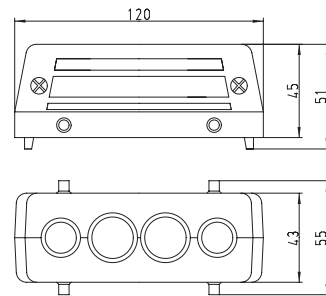
2 bushings



3 bushings



4 bushings



Kabelklemmung
cable clamp

M3
Kreuzschraube / Anzugsdrehmoment 0,5 Nm /
zu verwendeter BIT PH1

Philips head screw / Tightening torque 0.5 Nm /
BIT PH1 to be used



REVOS EX · 90 V CONTACT INSERTS

Screw connection



6-pole + ground
Size 6



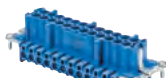
10-pole + ground
Size 10



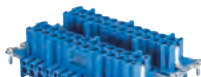
16-pole + ground
Size 16



24-pole + ground
Size 24



48-pole + ground
Size 48



Description	Type	Part No.	P.U.
Contact inserts revos EX 90 V			
6-pole + ground			
Male insert	EX STS 6 2,5 09IA	72.310.0653.9	10
Female insert	EX BUS 6 2,5 09IA	72.300.0653.9	10
Male insert, Au	EX STS 6 2,5 09IA AU	72.311.0653.9	10
Female insert, Au	EX BUS 6 2,5 09IA AU	72.301.0653.9	10
Contact inserts revos EX 90 V			
10-pole + ground			
Male insert	EX STS 10 2,5 09IA	72.310.1053.9	10
Female insert	EX BUS 10 2,5 09IA	72.300.1053.9	10
Male insert, Au	EX STS 10 2,5 09IA AU	72.311.1053.9	10
Female insert, Au	EX BUS 10 2,5 09IA AU	72.301.1053.9	10
Contact inserts revos EX 90 V			
16-pole + ground			
Male insert	EX STS 16 2,5 09IA	72.310.1653.9	10
Female insert	EX BUS 16 2,5 09IA	72.300.1653.9	10
Male insert, Au	EX STS 16 2,5 09IA AU	72.311.1653.9	10
Female insert, Au	EX BUS 16 2,5 09IA AU	72.301.1653.9	10
Contact inserts revos EX 90 V			
24-pole + ground			
Male insert	EX STS 24 2,5 09IA	72.310.2453.9	10
Female insert	EX BUS 24 2,5 09IA	72.300.2453.9	10
Male insert, Au	EX STS 24 2,5 09IA AU	72.311.2453.9	10
Female insert, Au	EX BUS 24 2,5 09IA AU	72.301.2453.9	10
Contact inserts revos EX 90 V			
48-pole + ground			
Male insert with wire protection, marked 1-24, 25-48	EX STS 48 2,5 09IA	72.310.4853.9	5
Female insert with wire protection, marked 1-24, 25-48	EX BUS 48 2,5 09IA	72.300.4853.9	5

TECHNICAL DATA

Rated voltage	90 V
Rated voltage according to UL/CSA	-
Rated impulse voltage	-
Rated current	Dependent on the wire cross section*)
Degree of pollution	3

Rated cross section

EN 60999	0.5 – 2.5 mm ²
----------	---------------------------

Contacts

Material	Copper alloy
Surface	Sn, Au
Insulation strip length	7 mm
Contact resistance	≤ 1.5 mΩ
Mating cycles	Sn 200 / Au 500

Screws

	head design / recomm. torque
Mounting screws	H1 / 0.5 – 0.7 Nm
Clamping screws	H1 / 0.5 – 0.7 Nm
Ground conductor screws	H2 / 1.2 – 1.6 Nm
Temperature range	-20 °C...+60 °C

Housing revos EX	Type	Page
Size	6Ex	262–265
Size	10Ex	266–269
Size	16Ex	270–273
Size	24Ex	274–277
Size	48Ex	278–281

See section "FACTS & DATA" for handling and assembly of the multipole connectors.

⊕ I M1 Ex ia I

BVS 03 ATEX E 184 X

EN 60079-0:2006 EN 60079-11:2007 EN 50303:2000

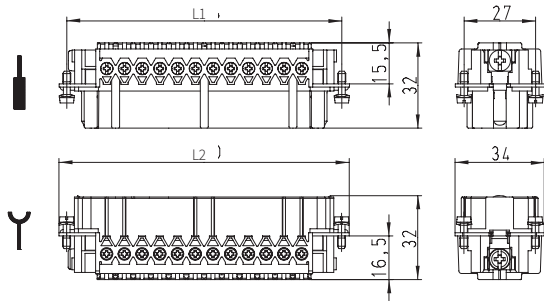
Special conditions for safe use:

1. The heavy duty connectors must be attached to a device in such a way that a minimum protection rating of IP54 is maintained in accordance with EN 60529.
2. The heavy duty connectors can be used in an ambient temperature ranges from -20 °C to +60 °C.

Wire cross section: 0.5 mm² – 2.5 mm²

DIMENSIONS

6-pole + ground – 48-pole + ground

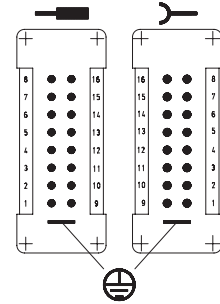
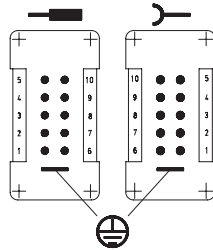
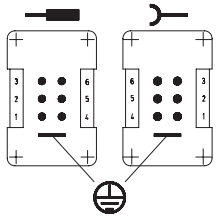


Number of poles	L1 [mm]	L2 [mm]
6	44.0	50.0
10	57.0	63.0
16	77.5	83.0
24	104.0	110.0
48	104.0	110.0

6-pole + ground

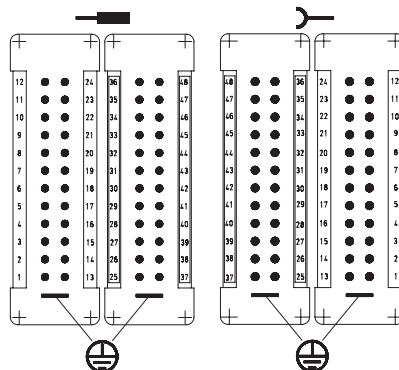
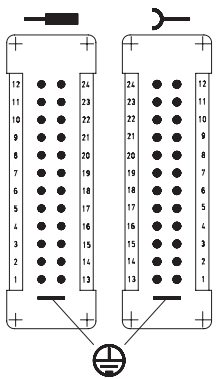
10-pole + ground

16-pole + ground

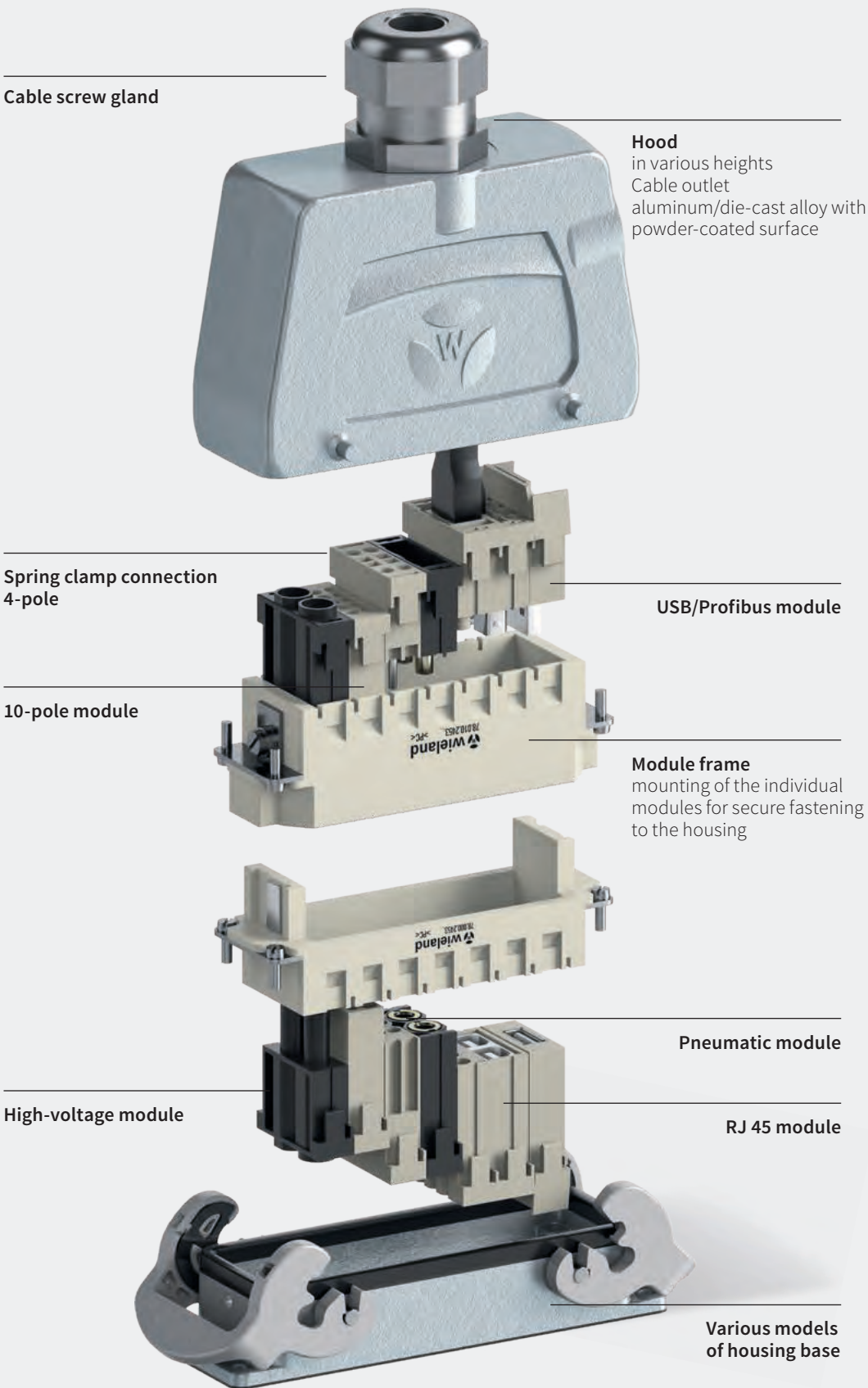


24-pole + ground

48-pole + ground



REVOS FLEX – SYSTEM SETUP



REVOS FLEX

REQUIREMENT FOR FLEXIBILITY

Machines and systems are increasingly designed and manufactured on a modular basis. This calls for more flexible connectors. A modular insert system replaces standard inserts with a product that is installed as needed and on a modular basis.

The revos FLEX system consists of a socket and plug frame. The frames are available in sizes 6, 10, 16 and 24 and have 2, 3, 5 and 7 slots.

If you need an even more robust connector, then our special housing system revos FLEX COMPACT 1M is the right choice for you. Here you can choose from all modules with single slot to protect your power or data against extreme external influences. For details please refer to page 114.

The modular structure of the revos FLEX connector series makes it possible to combine supply, signal and bus, fiber optic and pneumatic lines in one connector. And you also have the flexibility to mix sockets and plug modules in any frame.

The high-quality die-cast aluminum housing is powder-coated and designed for industrial use in extremely harsh environments. It provides protection against external mechanical impact, foreign objects, moisture, water, oils or other liquids.

BENEFITS:

- + COMPACT + ROBUST HOUSING
- + LOCKING BAR FROM STAINLESS STEEL
- + CORROSION AND EMC PROTECTION
- + HIGHLY FLEXIBLE DUE TO MODULAR DESIGN
- + IP65, IP68 (3 M/10 H) AND IP69K



POWER

The power modules can handle 14 A to 150 A and 250 V to 5.5 kV are available as 2-, 3-, 4- and 5-pole versions. With crimp, screw or spring clamp connection technology.



SIGNAL

The signal supply modules are available as 10- and 20-pole versions, for 4 A up to 10 A, up to 400 V with crimp connection technology.

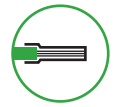


COMMUNICATION

No matter whether you need an Ethernet, Profibus DP or a shielded cable connection, we have the right one for you.

REVOS FLEX · MODULAR INSERTS

3-pole, crimp connection



Male insert



Female insert

Also suitable for use in
revosFLEX COMPACT 1M (p. 118)

Description	Type	Part No.	P.U.
Modular inserts revos FLEX			
3-pole			
Male insert	FLE STC 3 69	78.014.0353.0	10
Female insert	FLE BUC 3 69	78.004.0353.0	10
Contacts			
	mm ² / AWG, turned ø 3.6 mm		
Male insert, Ag Crimping die B	1.5 / 16	05.544.1829.8	100
Female insert, Ag Crimping die B	1.5 / 16	02.125.2929.8	100
Male insert, Ag Crimping die B	2.5 / 14	05.544.1929.8	100
Female insert, Ag Crimping die B	2.5 / 14	02.125.3029.8	100
Male insert, Ag Crimping die D	4 / 12	05.544.3129.8	100
Female insert, Ag Crimping die D	4 / 12	02.125.3129.8	100
Male insert, Ag Crimping die D	6 / 10	05.544.3229.8	100
Female insert, Ag Crimping die D	6 / 10	02.125.3229.8	100
Male insert, Ag Crimping die D	10 / 8	05.544.3329.8	100
Female insert, Ag Crimping die D	10 / 8	02.125.3329.8	100

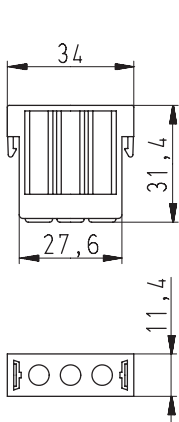
TECHNICAL DATA

Rated voltage	630 V
Rated voltage according to UL/CSA	600 V
Rated impulse voltage	8 kV
Rated current	40 A (UL 40 A, CSA 35 A)
Degree of pollution	3
Insulation strip length	10 mm
Contact resistance	≤ 1 mΩ
Mating cycles	500
Insulating material	Polycarbonate, halogen-free
Flammability	UL 94 V-0
Temperature range	-40 °C...+120 °C
Derating curve	Page 101

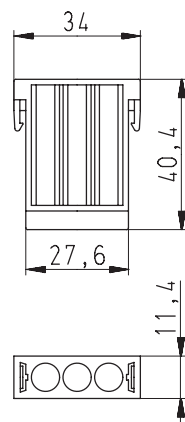
ACCESSORIES	Type	Part No.	P.U.
Crimping tool		95.101.0800.0	1
Crimping die	"B"	05.502.2100.0	1
Crimping die	"D"	05.502.2300.0	1
Contact positioner	"1"	05.502.3100.0	1
Extraction tool		05.502.0910.0	1
Extraction tool for modular inserts		05.502.1010.0	1

DIMENSIONS

Male insert



Female insert



REVOS FLEX · MODULAR INSERTS

4-pole + ground, crimp connection



Male insert



Female insert

Also suitable for use in
revosFLEX COMPACT 1M (p. 118)

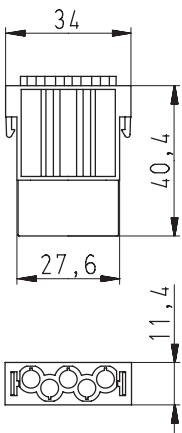
Description	Type	Part No.	P.U.
Modular inserts revos FLEX			
4-pole + ground			
Male insert	FLE STC 4P 1K	78.013.0453.0	10
Female insert	FLE BUC 4P 1K	78.003.0453.0	10
Contacts			
	mm ² / AWG, stamped \varnothing 2.5 mm		
Male insert, Ag	0.5 – 1.5 / 20 – 16	05.544.3429.8	100
Female insert, Ag	0.5 – 1.5 / 20 – 16	02.125.3429.8	100
Male insert, Ag	1.5 – 2.5 / 16 – 14	05.544.3529.8	100
Female insert, Ag	1.5 – 2.5 / 16 – 14	02.125.3529.8	100

TECHNICAL DATA			
Rated voltage	1000 V		
Rated voltage according to UL/CSA	600 V		
Rated impulse voltage	8 kV		
Rated current	16 A (UL 13 A, CSA 16 A)		
Degree of pollution	3		
Insulation strip length	4 mm		
Contact resistance	\leq 5 m Ω		
Mating cycles	500		
Insulating material	Polyamide 6.6 GF, halogen-free		
Flammability	UL 94 V-0		
Temperature range	-40 °C...+120 °C		
Derating curve	Page 101		

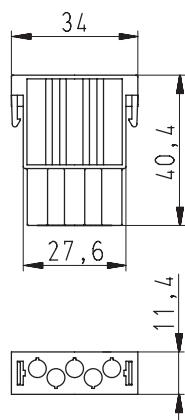
ACCESSORIES	Type	Part No.	P.U.
Crimping tool		95.101.0800.0	1
Crimping die	"C"	05.502.2200.0	1
Contact positioner	"2"	05.502.3200.0	1
Extraction tool		05.502.0610.0	1
Extraction tool for modular inserts		05.502.1010.0	1

DIMENSIONS

Male insert



Female insert



REVOS FLEX · MODULAR INSERTS

5-pole, crimp connection



Male insert



Female insert

Also suitable for use in
revosFLEX COMPACT 1M (p. 118)

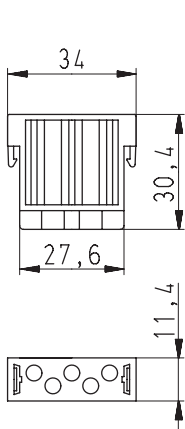
Description	Type	Part No.	P.U.
Modular inserts revos FLEX	5-pole		
Male insert	FLE STC 5 25	78.013.0553.0	10
Female insert	FLE BUC 5 25	78.003.0553.0	10
Contacts	mm ² / AWG, turned ø 2.5 mm		
Male insert, Ag	0.5 / 20	05.544.3629.8	100
Female insert, Ag	0.5 / 20	02.125.3629.8	100
Male insert, Ag	0.75 – 1.0 / 18	05.544.3729.8	100
Female insert, Ag	0.75 – 1.0 / 18	02.125.3729.8	100
Male insert, Ag	1.5 / 16	05.544.3829.8	100
Female insert, Ag	1.5 / 16	02.125.3829.8	100
Male insert, Ag	2.5 / 14	05.544.3929.8	100
Female insert, Ag	2.5 / 14	02.125.3929.8	100
Male insert, Ag	4 / 12	05.544.4029.8	100
Female insert, Ag	4 / 12	02.125.4029.8	100

TECHNICAL DATA	
Rated voltage	250 V
Rated voltage according to UL/CSA	UL 400 V, CSA 600 V
Rated impulse voltage	6 kV
Rated current	20 A (UL 20 A, CSA 16 A)
Degree of pollution	3
Insulation strip length	8 mm
Contact resistance	≤ 2 mΩ
Mating cycles	500
Insulating material	Polycarbonate, halogen-free
Flammability	UL 94 V-0
Temperature range	-40 °C...+120 °C
Derating curve	Page 101

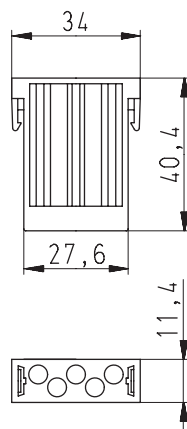
ACCESSORIES	Type	Part No.	P.U.
Crimping tool		95.101.0800.0	1
Crimping die	"B"	05.502.2100.0	1
Contact positioner	"1"	05.502.3100.0	1
Extraction tool		05.502.0810.0	1
Extraction tool for modular inserts		05.502.1010.0	1

DIMENSIONS

Male insert

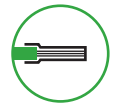


Female insert



REVOS FLEX · MODULAR INSERTS

10-pole, crimp connection



Male insert



Female insert

Description	Type	Part No.	P.U.
Modular inserts revos FLEX			
10-pole			
Male insert	FLE STC 10 25	78.012.1053.0	10
Female insert	FLE BUC 10 25	78.002.1053.0	10

TECHNICAL DATA

Rated voltage	250 V
Rated voltage according to UL/CSA	UL 240 V, CSA 600 V
Rated impulse voltage	4 kV
Rated current	10 A
Degree of pollution	3
Insulation strip length	8 mm
Contact resistance	≤ 5 mΩ
Mating cycles	500
Insulating material	Polycarbonate, halogen-free
Colour	gray
Flammability	UL 94 V-0
Temperature range	-40 °C...+120 °C
Derating curve	Page 99



Male insert



Female insert

Description	Type	Part No.	P.U.
Modular inserts revos FLEX			
10-pole			
Male insert	FLE STC 10 40 sw	78.012.1053.1	10
Female insert	FLE BUC 10 40 sw	78.002.1053.1	10

TECHNICAL DATA

Rated voltage	400 V
Rated voltage according to UL/CSA	UL 600 V
Rated impulse voltage	4 kV
Rated current	10 A
Degree of pollution	3
Insulation strip length	8 mm
Contact resistance	≤ 5 mΩ
Mating cycles	500
Insulating material	PA, halogen-free
Colour	black
Flammability	UL 94 V-0
Temperature range	-40 °C...+100 °C
Derating curve	Page 101

Also suitable for use in
revos FLEX COMPACT 1M (p. 118)

Description	Type	Part No.	P.U.
Contacts			
	mm ² / AWG, turned Ø 1.6 mm		
Male insert	0.14 – 0.37 / 26 – 22	05.544.4129.x	100
Female insert	0.14 – 0.37 / 26 – 22	02.125.4129.x	100
Male insert	0.5 / 20	05.544.4229.x	100
Female insert	0.5 / 20	02.125.4229.x	100
Male insert	0.75 – 1.0 / 18	05.544.4329.x	100
Female insert	0.75 – 1.0 / 18	02.125.4329.x	100
Male insert	1.5 / 16	05.544.4429.x	100
Female insert	1.5 / 16	02.125.4429.x	100
Male insert	2.5 / 14	05.544.4529.x	100
Female insert	2.5 / 14	02.125.4529.x	100
Surface	silver-plated x = 8 / gold-plated x = 7		

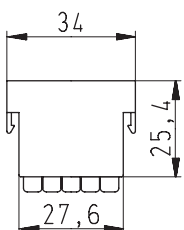
LWL POF Contacts Ø 1.6 mm

Male insert	05.544.8121.0	5
Female insert	02.125.2421.0	5

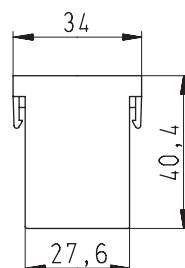
ACCESSORIES	Type	Part No.	P.U.
Crimping tool		95.101.0800.0	1
Crimping die	“B”	05.502.2100.0	1
Contact positioner	“1”	05.502.3100.0	1
Extraction tool		05.502.0710.0	1
Extraction tool for modular inserts		05.502.1010.0	1
Set of tools for optical fiber POF contacts		95.101.2000.0	1

DIMENSIONS

Male insert



Female insert



Subject to technical modifications

REVOS FLEX · MODULAR INSERTS

20-pole | Blind module



20-pole



Male insert



Female insert

Also suitable for use in
revos FLEX COMPACT 1M (p. 118)

Description	Type	Part No.	P.U.
Modular inserts revos FLEX	20-pole		
Male insert	FLE STC 20 10	78.011.2053.0	10
Female insert	FLE BUC 20 10	78.001.2053.0	10
Contacts	mm ² / AWG, stamped ø 1.0 mm		
Male insert, Au	0.09 – 0.25 / 28 – 24	05.544.4629.7	100
Female insert, Au	0.09 – 0.25 / 28 – 24	02.125.4629.7	100
Male insert, Au	0.25 – 0.5 / 24 – 20	05.544.4729.7	100
Female insert, Au	0.25 – 0.5 / 24 – 20	02.125.4729.7	100

TECHNICAL DATA	
Rated voltage	100 V
Rated voltage according to UL/CSA	60 V
Rated impulse voltage	1.5 kV
Rated current	4 A (UL , CSA 5 A)
Degree of pollution	3
Insulation strip length	3 mm
Contact resistance	≤ 5 mΩ
Mating cycles	500
Insulating material	Polycarbonate, halogen-free
Flammability	UL 94 V-0
Temperature range	-40 °C...+120 °C
Derating curve	Page 101

ACCESSORIES	Type	Part No.	P.U.
Crimping tool		95.101.0800.0	1
Crimping die	"A"	05.502.2000.0	1
Contact positioner	"4"	05.502.3800.0	1
Hand crimping tool without contact positioner		95.101.2100.0	1
Hand crimping tool with contact positioner		95.101.2200.0	1
Insertion and extraction tool		05.502.0410.0	1
Extraction tool for modular inserts		05.502.1010.0	1

Description	Type	Part No.	P.U.
Modular inserts revos FLEX	Blind module		
Male		05.562.6353.0	10
Female		05.562.6453.0	10

TECHNICAL DATA	
Insulating material	Polyamide 66, halogen-free
Flammability	UL 94 V-0
Temperature range	-40 °C...+120 °C

Blind module



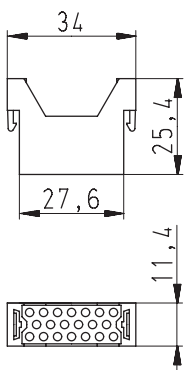
Male insert



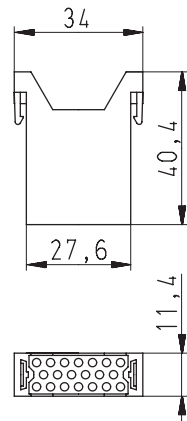
Female insert

DIMENSIONS

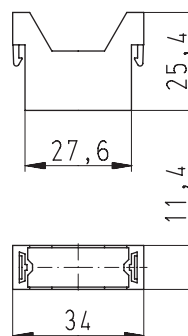
20-pole
Male insert



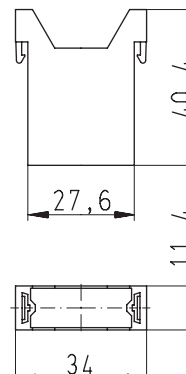
Female insert



Blind module
Male insert



Female insert



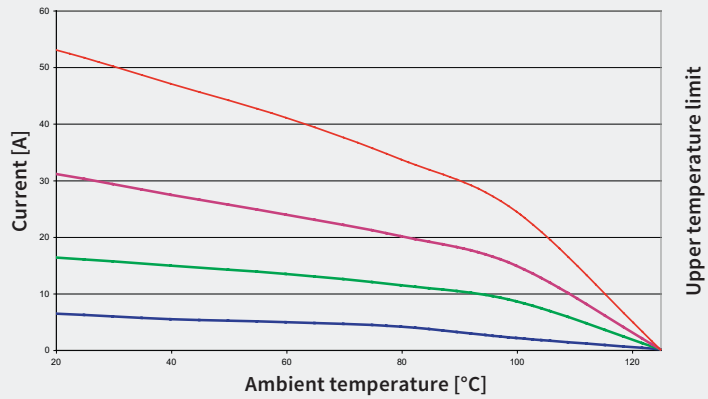
DERATING CURVE

according to IEC 60512 sec. 3

revosFLEX

Size 6,
equipped with 2 modules

- Contact Ø 1 mm stamped, 0.5 mm², 2 x 20 poles
- Contact Ø 1.6 mm turned, 1.5 mm², 2 x 10 poles
- Contact Ø 2.5 mm turned, 2.5 mm², 2 x 5 poles
- Contact Ø 3.6 mm turned, 6 mm², 2 x 3 poles



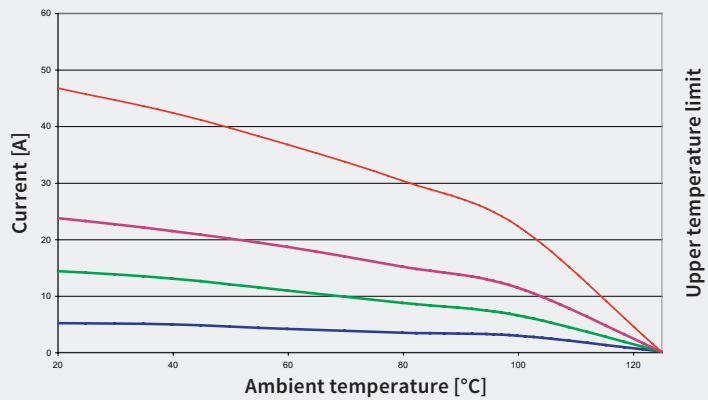
DERATING CURVE

according to IEC 60512 sec. 3

revosFLEX

Size 10,
equipped with 3 modules

- Contact Ø 1 mm stamped, 0.5 mm², 3 x 20 poles
- Contact Ø 1.6 mm turned, 1.5 mm², 3 x 10 poles
- Contact Ø 2.5 mm turned, 2.5 mm², 3 x 5 poles
- Contact Ø 3.6 mm turned, 6 mm², 3 x 3 poles



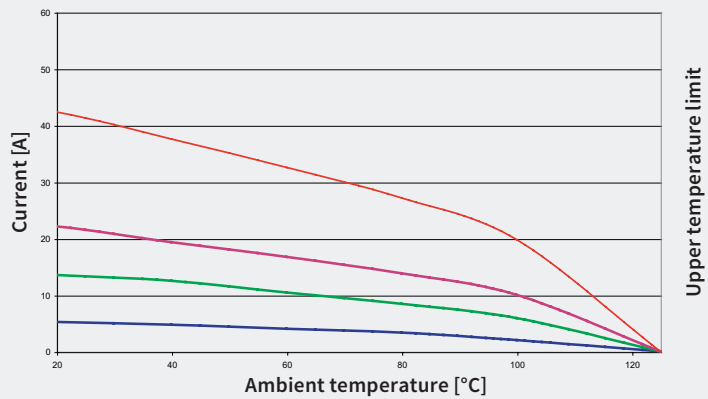
DERATING CURVE

according to IEC 60512 sec. 3

revosFLEX

Size 16,
equipped with 5 modules

- Contact Ø 1 mm stamped, 0.5 mm², 5 x 20 poles
- Contact Ø 1.6 mm turned, 1.5 mm², 5 x 10 poles
- Contact Ø 2.5 mm turned, 2.5 mm², 5 x 5 poles
- Contact Ø 3.6 mm turned, 6 mm², 5 x 3 poles



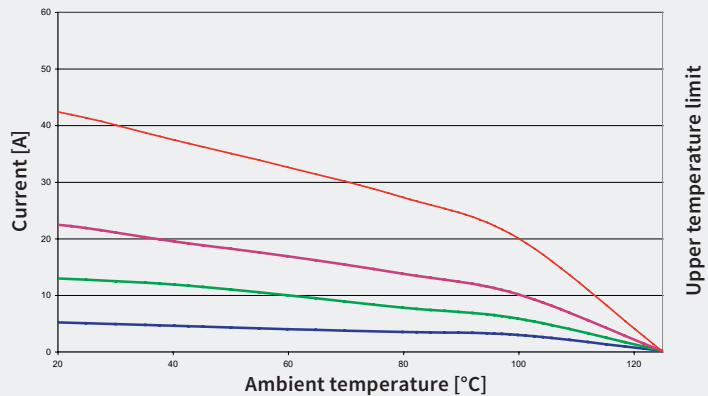
DERATING CURVE

according to IEC 60512 sec. 3

revosFLEX

Size 24,
equipped with 7 modules

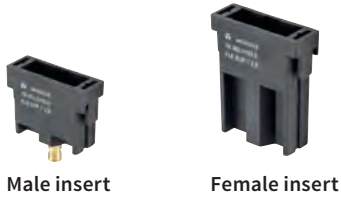
- Contact Ø 1 mm stamped, 0.5 mm², 7 x 20 poles
- Contact Ø 1.6 mm turned, 1.5 mm², 7 x 10 poles
- Contact Ø 2.5 mm turned, 2.5 mm², 7 x 5 poles
- Contact Ø 3.6 mm turned, 6 mm², 7 x 3 poles



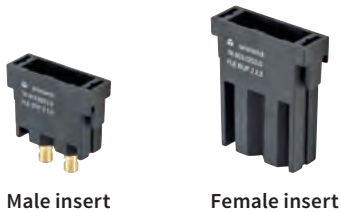
REVOS FLEX · MODULAR INSERTS

Pneumatic module

1 connection



2 connections



Also suitable for use in
revos FLEX COMPACT 1M (p. 118)

Description	Type	Part No.	P.U.
Modular inserts revos FLEX	Pneumatic module Ø 2.5 mm		
1 connection			
Male insert	FLE STP 1 2.5	78.913.0153.0	5
Female insert with valve	FLE BUP 1 2.5	78.903.0153.0	5
2 connections			
Male insert	FLE STP 2 2.5	78.913.0253.0	5
Female insert with valve	FLE BUP 2 2.5	78.903.0253.0	5
Modular inserts revos FLEX	Pneumatic module Ø 4 mm		
1 connection			
Male insert	FLE STP 1 4	78.914.0153.0	5
Female insert with valve	FLE BUP 1 4	78.904.0153.0	5
2 connections			
Male insert	FLE STP 2 4	78.914.0253.0	5
Female insert with valve	FLE BUP 2 4	78.904.0253.0	5

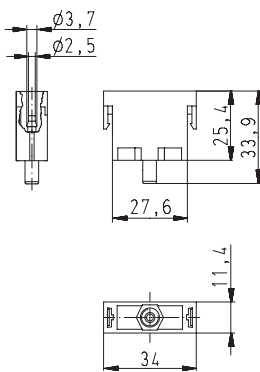
TECHNICAL DATA			
Hose connection	Type / Ø inside	Module Ø 2.5 mm / 2.5 mm	Module Ø 4 mm / 4 mm
Operational pressure		10 bar	
Material of the pneumatic contact		Brass MS 58	
Insulating material		Polyamide 6.6 GF	
Flammability class		UL 94 V-0	
Temperature range		-40 °C...+100 °C	

DIMENSIONS

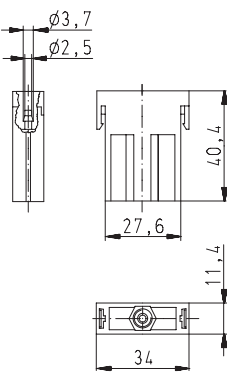
Pneumatic module Ø 2.5 mm

1 connection

Male insert

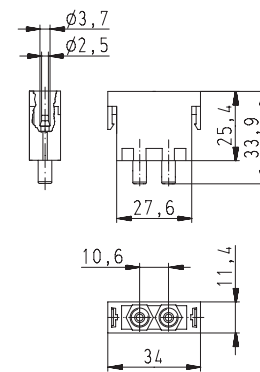


Female insert

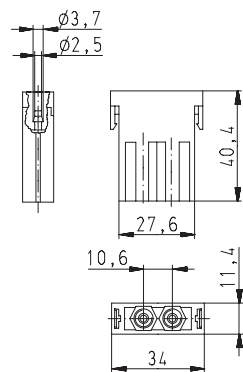


2 connections

Male insert



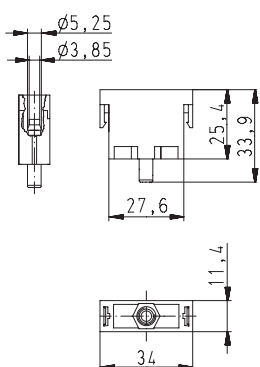
Female insert



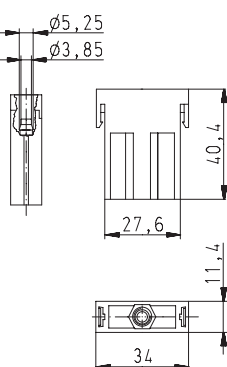
Pneumatic module Ø 4 mm

1 connection

Male insert

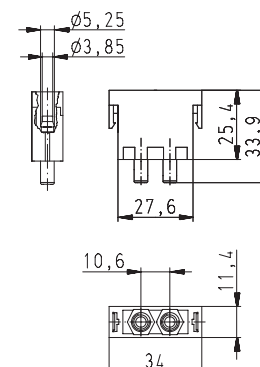


Female insert

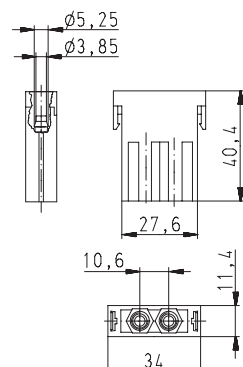


2 connections

Male insert



Female insert



REVOS FLEX · MODULAR INSERTS

2-pole, high voltage module, crimp connection



Male insert



Female insert

Also suitable for use in
revos FLEX COMPACT 1M (p. 118)

Description	Type	Part No.	P.U.
Modular inserts revos FLEX			
2-pole			
Male insert	FLE SUC 2 5K	78.013.0253.0	5
Female insert	FLE BUC 2 5K	78.003.0253.0	5
Contacts			
	mm ² / AWG, turned ø 2.5 mm		
Male insert, Ag	0.5 / 20	05.544.3629.8	100
Female insert, Ag	0.5 / 20	02.125.3629.8	100
Male insert, Ag	0.75 - 1.0 / 18	05.544.3729.8	100
Female insert, Ag	0.75 - 1.0 / 18	02.125.3729.8	100
Male insert, Ag	1.5 / 16	05.544.3829.8	100
Female insert, Ag	1.5 / 16	02.125.3829.8	100
Male insert, Ag	2.5 / 14	05.544.3929.8	100
Female insert, Ag	2.5 / 14	02.125.3929.8	100
Male insert, Ag	4 / 12	05.544.4029.8	100
Female insert, Ag	4 / 12	02.125.4029.8	100

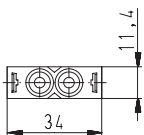
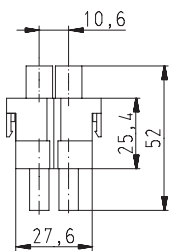
TECHNICAL DATA

Rated voltage	2.8 kV / 5.5 kV at pollution degree 2
Rated voltage according to cULus	600 V
Rated impulse voltage	18 kV
Rated current	20 A
Degree of pollution	3
Insulating material	Polyamid 6.6
Flammability	UL 94 V-0
Temperature range	-40 °C...+120 °C

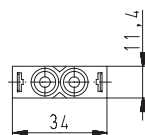
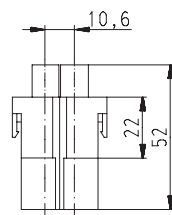
ACCESSORIES	Type	Part No.	P.U.
Crimping tool		95.101.0800.0	1
Crimping die	"B"	05.502.2100.0	1
Contact positioner	"1"	05.502.3100.0	1
Extraction tool		05.502.0810.0	1
Extraction tool for modular inserts		05.502.1010.0	1

DIMENSIONS

Male insert



Female insert



REVOS FLEX · MODULAR INSERTS

1-/2-pole, high current module, screw connection



1-pole + ground



Male insert



Female insert

2-pole



Male insert



Female insert

Description	Type	Part No.	P.U.
Modular inserts revos FLEX			
1-pole + ground			
Male insert	FLE STS 1P 25 1K AG	78.116.0153.0	5
Female insert	FLE BUS 1P 25 1K AG	78.106.0153.0	5
Modular inserts revos FLEX			
2-pole			
Male insert	FLE STS 2 25 1K AG	78.116.0253.0	5
Female insert	FLE BUS 2 25 1K AG	78.106.0253.0	5

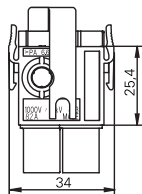
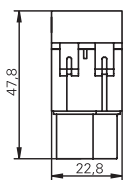
TECHNICAL DATA

Rated voltage	1000 V
Rated voltage according to UL/CSA	600 V
Rated impulse voltage	8 kV
Rated current	82 A
Degree of pollution	3
Insulation strip length	15 mm
Rated cross section	
EN 60999	10 – 25 mm ²
UL	8 – 4 AWG
CSA	8 – 4 AWG
Mating cycles	100
Contact resistance	≤ 2 mΩ
Surface	Ag
Insulating material	PA 6.6
Flammability	UL 94 V-0
Temperature range	-40 °C ... +120 °C
Screws head design	Clamping screws M6
Recomm. torque	2.5 Nm slot

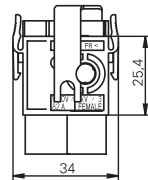
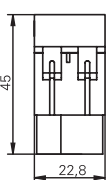
DIMENSIONS

1-pole + ground

Male insert

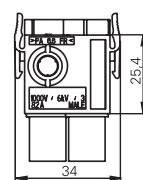
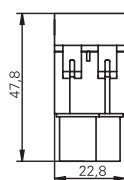


Female insert

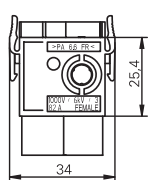
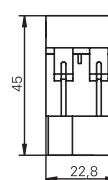


2-pole

Male insert



Female insert



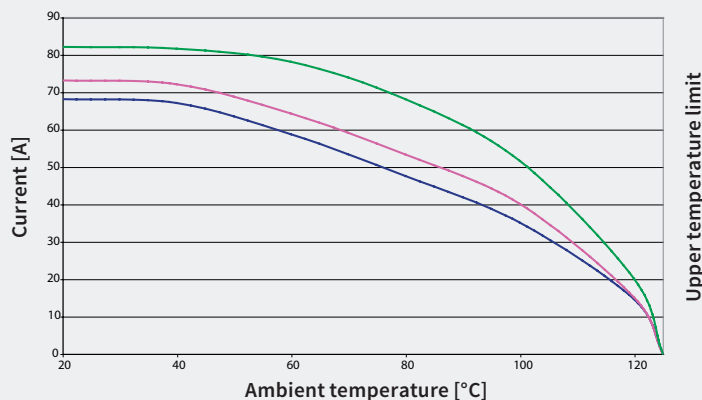
DERATING CURVE

according to IEC 60512 sec. 3

revos FLEX

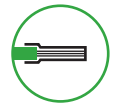
high voltage module 78.106/116.01/0253.0
1000 V / 82 A

- 10 mm²
- 16 mm²
- 25 mm²



REVOS FLEX HC 1M · MODULAR INSERTS

High current module, crimp connection



Male insert



Female insert

Also suitable for use in
revos FLEX COMPACT 1M (p. 118)

Description	Type	Part No.	P.U.
Modular inserts revos FLEX			
Male insert	FLE STC 2 16 1	78.014.0253.0	10
Female insert	FLE BUC 2 16 1	78.004.0253.0	10
Contacts			
	mm ² / AWG, turned ø 3.6 mm		
Male insert, Ag	16 / 6	05.546.3021.8	20
Female insert, Ag	16 / 6	02.126.9721.8	20

TECHNICAL DATA

Rated voltage	1000 V
Rated voltage according to UL/CSA	600 V
Rated impulse voltage	8.0 kV
Degree of pollution	3
Overtoltage category	III
Rated current	65 A (UL 60 A, CSA 55 A)
Continuity resistor	< 1 mΩ
Insulation resistor	> 10 ¹² Ω
Rated cross-section (EN 60999)	16 mm ²
Rated cross-section (UL/CSA)	6 AWG

Material

Insulating housing	PA
Colour	black
Flammability	UL 94 V-0

Contacts

Contact surface	silver plated
Rated cross-section	16 mm ²
Numbers of poles	2
Mating cycles	500
Temperature range	-40 °C ... +120 °C

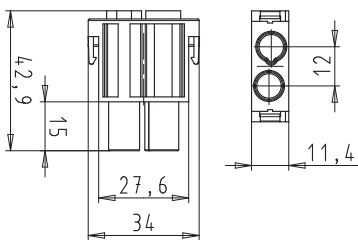
ACCESSORIES

	Part No.	Part No.
	Contacts	Fork cable lug
Crimping tool	95.000.1000.0	95.101.0800.0
Crimping die for connection range 16 mm ²	05.502.5300.0	
Fork cable lug for protective earth connection 10 mm ²		06.600.6127.6
Fork cable lug for protective earth connection 10 mm ²		06.600.6227.6
Crimping die for connection range 10 mm ²		05.502.2800.0
Crimping die for connection range 16 mm ²		05.502.2900.0
Extraction tool	05.502.0910.0	

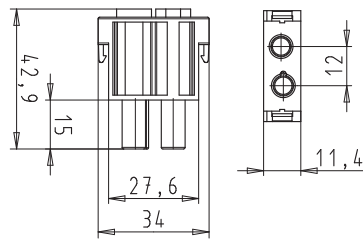
Klauke type 60/22-L pneumatic crimping tool can also be used.

DIMENSIONS

Male insert



Female insert



General requirements

- Due to reduced cross sections at PE contacts of frames, the PE contact has to be additionally protected against short circuits by using a protection circuit offering a sufficiently short breaking time (< 0,25 s).
- Parts to be used as connectors, not as plug devices (connector with breaking capacity). Do not mate under current or voltage!

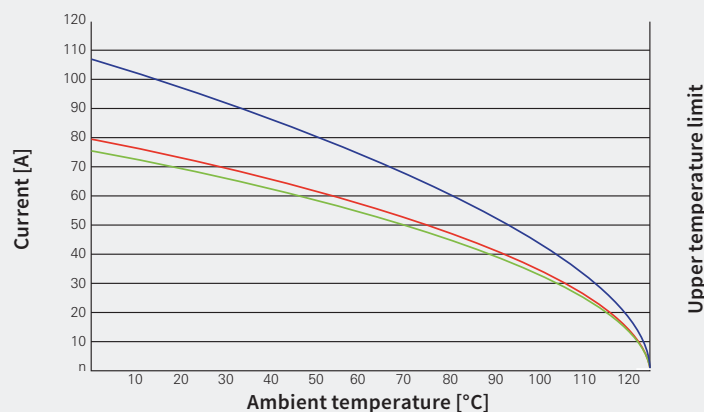
DERATING CURVE

according to IEC 60512-2 test 5b

revos FLEX

High current module 78.004/014.0253.0
1000 V

- 1 module
- 3 modules
- 7 modules



REVOS FLEX HC 2M · MODULAR INSERTS

2-pole, crimp connection



Male insert



Female insert

Description	Type	Part No.	P.U.
Modular inserts revos FLEX			
Male insert	FLE STC 2 35 1	78.016.0253.0	10
Female insert	FLE BUC 2 35 1	78.006.0253.0	10
Contacts		mm ² / AWG, turned ø 6 mm	
Male insert, Ag	16 / 6	05.546.2721.8	20
Female insert, Ag	16 / 6	02.126.7421.8	20
Male insert, Ag	25 / 4	05.546.2821.8	20
Female insert, Ag	25 / 4	02.126.7521.8	20
Male insert, Ag	35 / 2	05.546.2921.8	20
Female insert, Ag	35 / 2	02.126.7621.8	20

TECHNICAL DATA

Rated voltage (EN 60664-1)	1000 V
Rated voltage according to UL/CSA	600 V
Rated impulse voltage	8.0 kV
Degree of pollution	3
Overvoltage category	III
Rated current ($\theta_{amb} = 40^\circ\text{C}$) & 35 mm ² Leiter	150 A (UL, CSA 120 A)
Continuity resistor	< 1 mΩ
Insulation resistor	> 10 ⁸ Ω
Rated cross-section (EN 60999)	16-35 mm ²
Rated cross-section (UL/CSA)	2 AWG

Material

Insulating housing	PA
Colour	black
Flammability	UL 94 V-0

Contacts

Contact surface	silver plated
Rated cross-section	16 / 25 / 35 mm ²
Numbers of poles	2
Mating cycles	500
Temperature range	-40 °C ... +120 °C

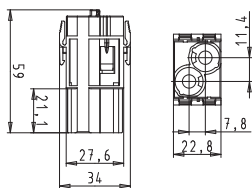
ACCESSORIES

	Part No.	Part No.
	Contacts	Fork cable lug
Crimping tool	95.000.1000.0	95.101.0800.0
Crimping die for connection range 10 mm ²		05.502.2800.0
Crimping die for connection range 16 mm ²	05.502.4600.0	05.502.2900.0
Crimping die for connection range 25 mm ²	05.502.4700.0	
Crimping die for connection range 35 mm ²	05.502.4800.0	
Fork cable lug for protective earth connection 10mm ²		06.600.6127.6
Fork cable lug for protective earth connection 16mm ²		06.600.6227.6

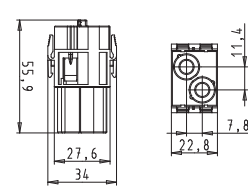
Klauke type 60/22-L pneumatic crimping tool can also be used.

DIMENSIONS

Male insert



Female insert



General requirements

- Due to reduced cross sections at PE contacts of frames, the PE contact has to be additionally protected against short circuits by using a protection circuit offering a sufficiently short breaking time (< 0,25 s).
- Parts to be used as connectors, not as plug devices (connector with breaking capacity). Do not mate under current or voltage!

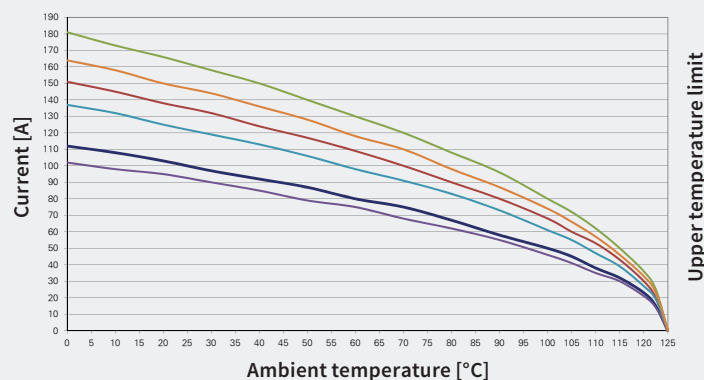
DERATING CURVE

according to IEC 60512 sec. 3

revos FLEX

High current module 78.006/016.0253.0
1000 V / 150 A

- 2-pole / 16 mm²
- 2-pole / 25 mm²
- 2-pole / 35 mm²
- 2 x 3-pole / 16 mm²
- 2 x 3-pole / 25 mm²
- 2 x 3-pole / 35 mm²



REVOS FLEX · MODULAR INSERTS

4-pole, spring clamp connection



Male insert



Female insert

Also suitable for use in
revosFLEX COMPACT 1M (p. 118)

Description	Type	Part No.	P.U.
Modular inserts revosFLEX	4-pole		
Male insert	FLE STF 4 2,5 40 AG	78.213.0453.0	10
Female insert	FLE BUS 4 2,5 40 AG	78.203.0453.0	10

TECHNICAL DATA

Rated voltage	400 V
Rated voltage according to UL/CSA	600 V
Rated impulse voltage	6 kV
Rated current	14 A
Degree of pollution	3
Insulation strip length	10 mm

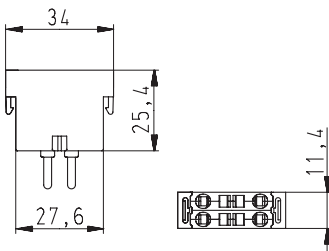
Rated cross section

EN 60999	0.5 – 2.5 mm ²
UL	20 – 12 AWG
CSA	20 – 12 AWG
Mating cycles	200
Contact resistance	≤ 5 mΩ
Surface	Ag
Mating cycles	100
Insulating material	Polycarbonate, halogen-free
Flammability	UL 94 V-0
Temperature range	-40 °C ... +120 °C

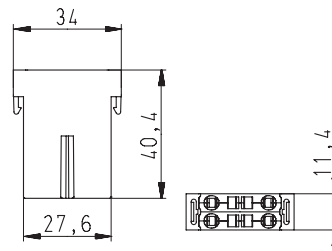
ACCESSORIES	Type	Part No.	P.U.
Screwdriver blade	DIN 5264 A 0,6 x 3,5 mm	06.502.4000.0	5

DIMENSIONS

Male insert

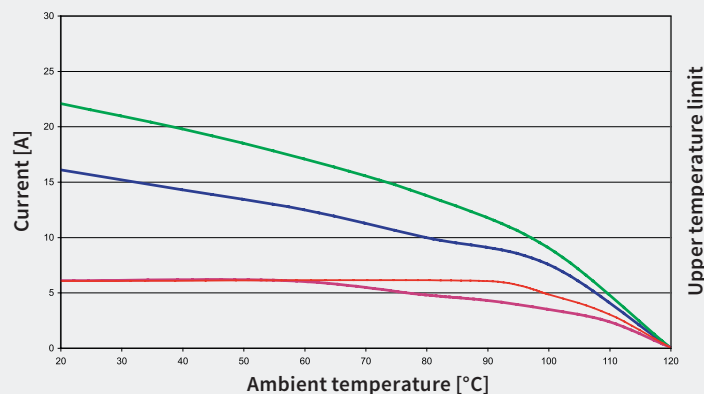


Female insert



DERATING CURVE according to IEC 60512 sec. 3 revosFLEX^{2,2}

- 2.5 mm² highest number of pole (28-contacts / Size 24)
- 2.5 mm² highest number of pole (8-contacts / Size 6)
- 0.5 mm² highest number of pole (28-contacts / Size 24)
- 0.5 mm² highest number of pole (8-contacts / Size 6)



REVOS FLEX · MODULAR INSERTS

USB-/Profibus, screw connection



USB module



Male insert

Female insert

Profibus module



Male insert

Female insert

Description	Type	Part No.	P.U.
Modular inserts revos FLEX			
USB module			
Male insert	FLE STK 4S 1,5 03 AU	78.111.0453.0	5
Female insert	FLE BUK 4S 1,5 03 AU	78.101.0453.0	5
Modular inserts revos FLEX			
Profibus module			
Male insert	FLE STD 2S 1,5 03 AU	78.191.0453.0	5
Female insert	FLE BUD 2S 1,5 03 AU	78.181.0453.0	5

TECHNICAL DATA

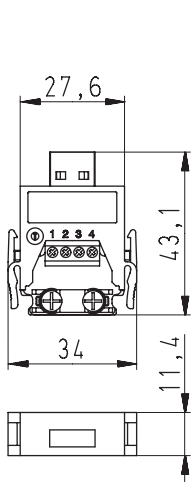
Rated voltage	30 V
Rated voltage according to UL/CSA	-
Conductor cross section	
USB module	
Profibus module	
Rated current	
Number of poles	
USB module	4+screen
Profibus module	2+screen
Connection torques screen / PCB connector	0.5 Nm / 0.2 Nm
Data transmission rate	
USB module	12 MBit/s
Profibus module	1.5 MBit/s
Insulating material	Polycarbonate
Flammability class of insulating housing	UL 94 V-0
Temperature range	-20 °C ... +85 °C

Also suitable for use in
revos FLEX COMPACT 1M (p. 118)

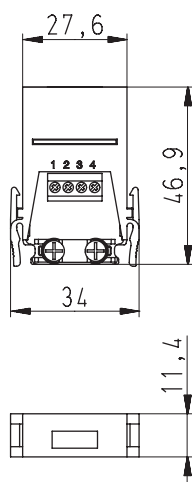
DIMENSIONS

USB module

Male insert

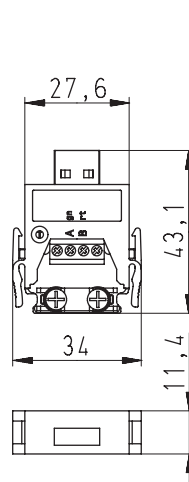


Female insert

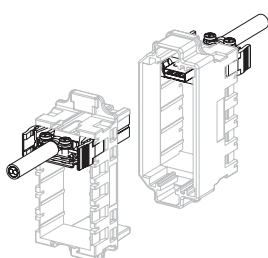
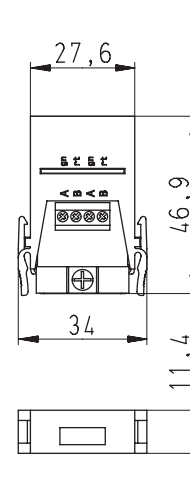


Profibus module

Male insert

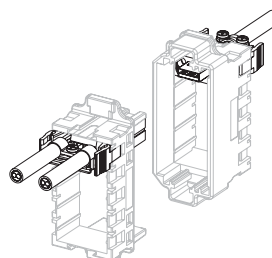


Female insert



Positioning

Position the module at the extreme end of the frame. The connection side must face outwards.

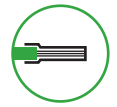


Positioning

Position the module at the extreme end of the frame. The connection side must face outwards.

REVOS FLEX · MODULAR INSERTS

RJ45, crimp connection



Male insert



Female insert

Description	Type	Part No.	P.U.
Modular inserts revos FLEX			
RJ45 module			
Male insert	FLE SRC 4 40	78.930.0453.0	5
Female insert	FLE BRC 4 40	78.920.0453.0	5
Contacts		mm ² / AWG, turned ø 1.6 mm	
Male insert	0.14 – 0.37 / 26 – 22	05.544.4129.x	100
Female insert	0.14 – 0.37 / 26 – 22	02.125.4129.x	100
Male insert	0.5 / 20	05.544.4229.x	100
Female insert	0.5 / 20	02.125.4229.x	100
Male insert	0.75 – 1.0 / 18	05.544.4329.x	100
Female insert	0.75 – 1.0 / 18	02.125.4329.x	100
Male insert	1.5 / 16	05.544.4429.x	100
Female insert	1.5 / 16	02.125.4429.x	100
Male insert	2.5 / 14	05.544.4529.x	100
Female insert	2.5 / 14	02.125.4529.x	100
Surface	silver-plated x = 8 / gold-plated x = 7		
LWL POF Contacts Ø 1.6 mm			
Male insert		05.544.8121.0	5
Female insert		02.125.2421.0	5

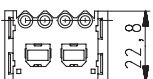
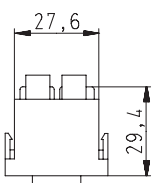
TECHNICAL DATA

Rated voltage	Data 30 V / power contacts 400 V
Transmission rate	according to Category 5, ≤ 100 MBit/s
Rated current	Data 1 A / power contacts 10 A
Degree of pollution	3
Insulating material	Polyamid 6.6
Flammability	UL 94 V-0
Temperature range	-20 °C...+80 °C

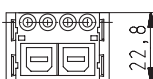
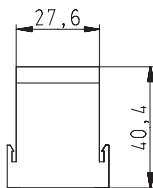
ACCESSORIES	Type	Part No.	P.U.
Crimping tool		95.101.0800.0	1
Crimping die	"B"	05.502.2100.0	1
Contact positioner	"1"	05.502.3100.0	1
Extraction tool		05.502.0710.0	1
Extraction tool for modular inserts		05.502.1010.0	1
Set of tools for optical fiber POF contacts		95.101.2000.0	1

DIMENSIONS

Male insert

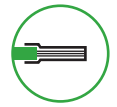


Female insert



REVOS FLEX · MODULAR INSERTS

TWIN BUS, crimp connection



2 Slots



Male insert



Female insert



Contact holder male insert



Contact holder female insert



Male insert



Female insert

Description	Type	Part No.	P.U.
Modular inserts revos FLEX			
Male insert	FLE STC 2 05	78.019.0253.0	1
Female insert	FLE BUC 2 05	78.009.0253.0	1
Contact holder male insert	FLE STKT 1 05	Z5.566.6056.0	1
Contact holder female insert	FLE BUKT 1 05	Z5.566.5956.0	1
Contacts			
	mm ² / AWG, turned ø 1.6 mm		
Male insert Ag	0.14 – 0.37 / 26 – 22	05.544.4129.x	100
Female insert Ag	0.14 – 0.37 / 26 – 22	02.125.4129.x	100
Male insert Ag	0.5 / 20	05.544.4229.x	100
Female insert Ag	0.5 / 20	02.125.4229.x	100
Male insert Ag	0.75 – 1.0 / 18	05.544.4329.x	100
Female insert Ag	0.75 – 1.0 / 18	02.125.4329.x	100
Male insert Ag	1.5 / 16	05.544.4429.x	100
Female insert Ag	1.5 / 16	02.125.4429.x	100
Male insert Ag	2.5 / 14	05.544.4529.x	100
Female insert Ag	2.5 / 14	02.125.4529.x	100
Male insert Au	0.14 – 0.37 / 26 – 22	05.544.4129.x	100
Female insert Au	0.14 – 0.37 / 26 – 22	02.125.4129.x	100
Male insert Au	0.5 / 20	05.544.4229.x	100
Female insert Au	0.5 / 20	02.125.4229.x	100
Male insert Au	0.75 – 1.0 / 18	05.544.4329.x	100
Female insert Au	0.75 – 1.0 / 18	02.125.4329.x	100
Male insert Au	1.5 / 16	05.544.4429.x	100
Female insert Au	1.5 / 16	02.125.4429.x	100
Male insert Au	2.5 / 14	05.544.4529.x	100
Female insert Au	2.5 / 14	02.125.4529.x	100
Surface	silver-plated x = 8 / gold-plated x = 7		

TECHNICAL DATA

Rated voltage	50 V
Rated voltage according to UL/CSA	50 V AC/DC
Rated impulse voltage	0.8 kV
Rated current	10 A
Degree of pollution	3

Rated cross section

EN 60999	0.5 – 2.5 mm ²
UL	see table below
CSA	see table below
Number of contacts	1
Shielding	Shielding positioned over the cable clamp on the contact carrier
External diameter of the sheathed cable	3 – 6 mm / 6 – 9.5 mm
Insulating material	PC
Flammability class of insulating housing	UL 94 V-0

Contacts

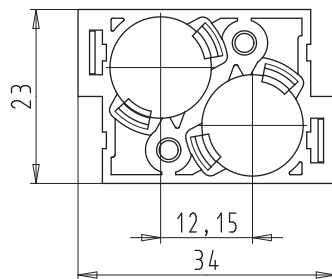
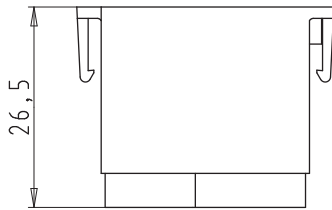
Material	Copper alloy
Surface	Ag, Au
Contact resistance	< 4 mΩ
Temperature range	-40 °C...+70 °C

ACCESSORIES	Type	Part No.	P.U.
Crimping tool		95.101.0800.0	1
Crimping die	“B”	05.502.2100.0	1
Contact positioner	“1”	05.502.3100.0	1
Extraction tool		05.502.0710.0	1

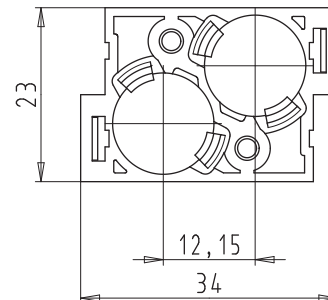
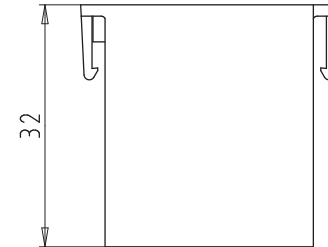
Wire cross section	Rated current	
	UL	CSA
16 AWG, stranded, Cu	20.5 A	11 A
18 AWG, stranded, Cu	18 A	9.5 A
20 AWG, stranded, Cu	14 A	7.5 A
22 AWG, stranded, Cu	12 A	6 A
24 AWG, stranded, Cu	8.5 A	4.5 A
26 AWG, stranded, Cu	7 A	3.5 A

DIMENSIONS

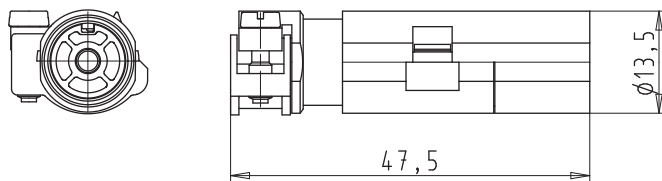
Male insert



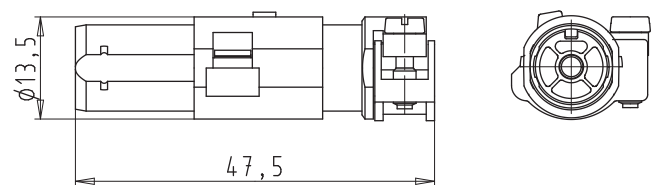
Female insert



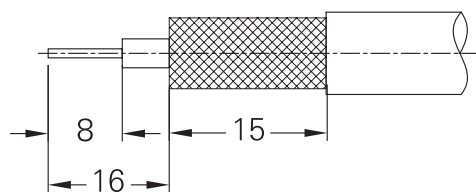
Contact holder male insert



Contact holder female insert



Insulation strip length



REVOS FLEX · MODULE FRAME

2 Slots



Male insert

Female insert

7 Slots



Male insert

Female insert

Description	Type	Part No.	P.U.
Module frame revos FLEX	2 Slots, Size 6		
gray RAL 7032			
Male	FLE MRS 6	78.010.0653.0	10
Female	FLE MRB 6	78.000.0653.0	10
Module frame revos FLEX	3 Slots, Size 10		
gray RAL 7032			
Male	FLE MRS 10	78.010.1053.0	10
Female	FLE MRB 10	78.000.1053.0	10
Module frame revos FLEX	5 Slots, Size 16		
gray RAL 7032			
Male	FLE MRS 16	78.010.1653.0	10
Female	FLE MRB 16	78.000.1653.0	10
Module frame revos FLEX	7 Slots, Size 24		
gray RAL 7032			
Male	FLE MRS 24	78.010.2453.0	10
Female	FLE MRB 24	78.000.2453.0	10

TECHNICAL DATA

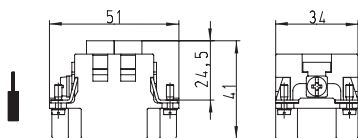
Insulating material	Polycarbonate, halogen-free
Flammability class	UL 94 V-0
Temperature range	-40 °C...+120 °C

Housing revos BASIC / revos BASIC M	Type	Page
Size	6/6H	156–163, 228–229, 232–235
Size	10/10H	164–181, 228–230, 236–239
Size	16/16H	182–201, 228–229, 240–243
Size	24/24H	202–221, 228–229, 244–247

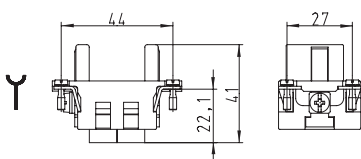
DIMENSIONS

2 Slots

Male insert

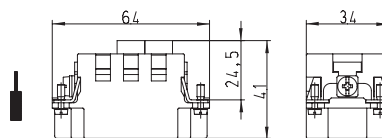


Female insert

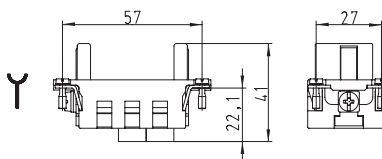


3 Slots

Male insert

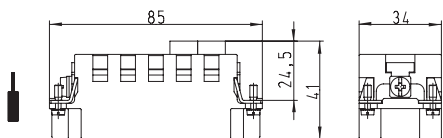


Female insert

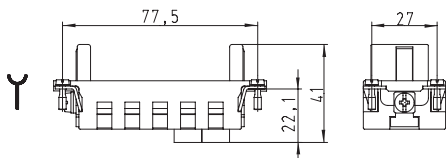


5 Slots

Male insert

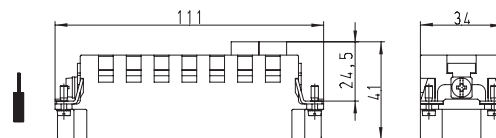


Female insert

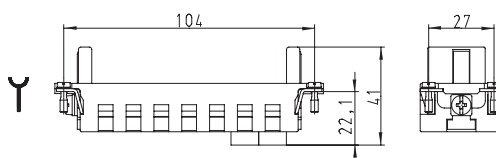


7 Slots

Male insert



Female insert



REVOS FLEX · TOOLS



3-pole



4-pole



5-pole



10-pole



20-pole

ACCESSORIES	Type	Part No.	P.U.
Extraction tool	MOD. 3POL	05.502.0910.0	1
Extraction tool	MOD. 4POL	05.502.0610.0	1
Extraction tool	MOD. 5POL	05.502.0810.0	1
Extraction tool	MOD. 10POL	05.502.0710.0	1
Extraction tool	MOD. 20POL	05.502.0410.0	1
Extraction tool for modular inserts		05.502.1010.0	1
Hand crimping tool without contact positioner		95.101.2100.0	1
Hand crimping tool with contact positioner		95.101.2200.0	1



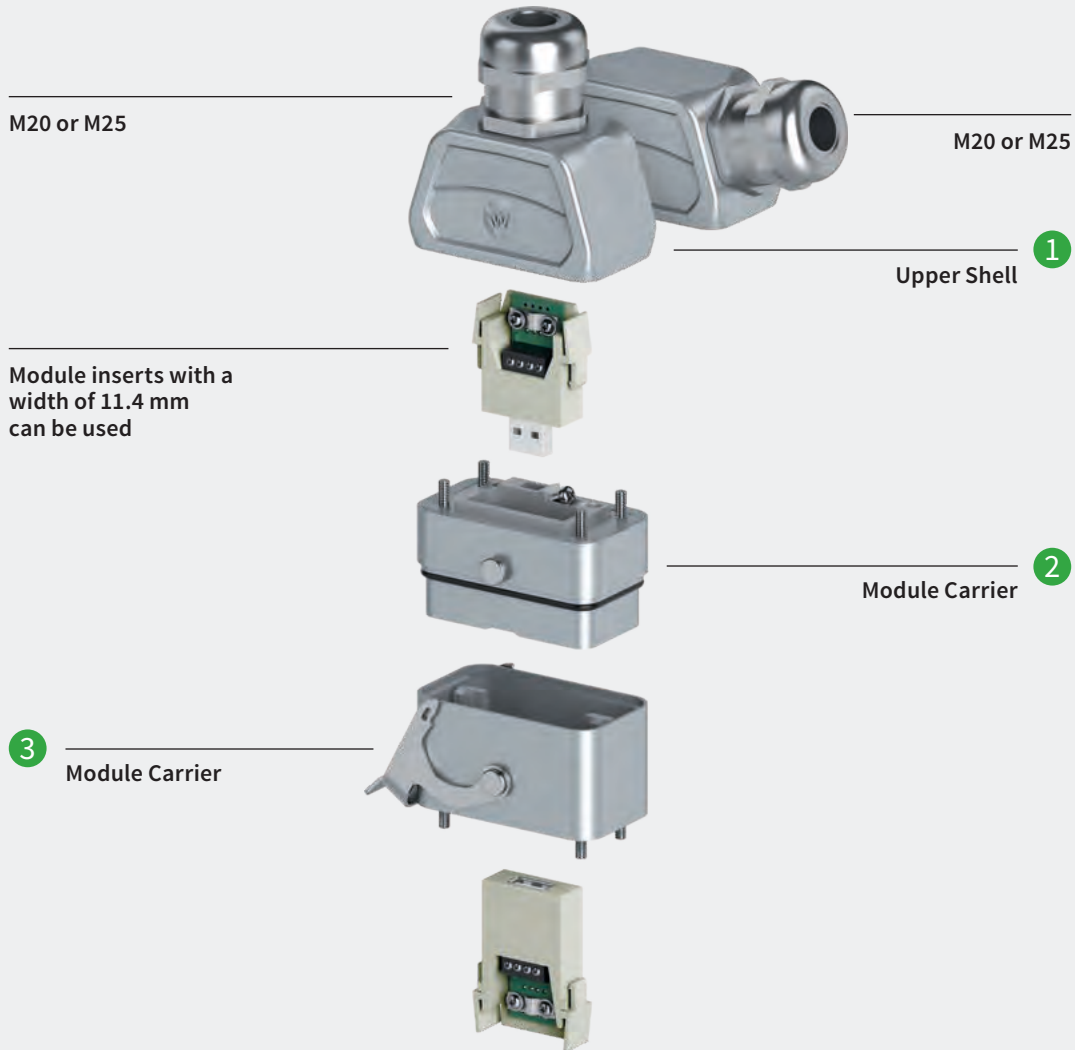
Extraction tool
for modular inserts



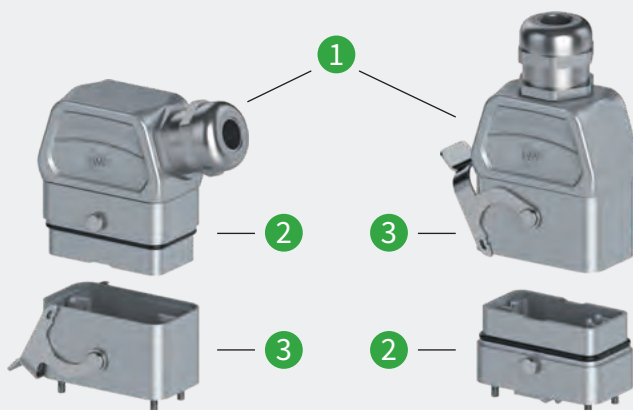
Hand crimping tool



REVOS FLEX COMPACT 1M – SYSTEM SETUP



CONTROL CABINET FEEDTHROUGH, MACHINE OR MOTOR



FLYING CONNECTION



REVOS FLEX COMPACT 1M – INDESTRUCTIBLE HOUSINGS FOR FLEXIBLE USE

Wieland Electric's revos FLEX COMPACT 1M is a flexible solution for connecting electrical signals.

For example, the pluggable connector system is used as an electrical interface in control cabinets, as a pluggable connector for motor drives or simply as a pluggable extension.

The housing components of the revos FLEX COMPACT 1M series are highly flexible. All revos FLEX module inserts with a module width of 1 can be used. Durch eine simple Vormontage der Modulträger am Schaltschrank werden die Moduleinsätze ganz ohne Werkzeug durch Verrasten im Träger arretiert. The optimized fitting reduces electrical installation time compared with standard housings by up to 30%. Factory pre-assembled modules save additional time and ensure fast, error-free wiring and installation. The revos FLEX COMPACT 1M series housings are robust and virtually indestructible.

APPLICATIONS:

- + CONTROL CABINET + MOTOR CONNECTION
- + WIND TURBINES
- + MECHANICAL ENGINEERING AND PLANT CONSTRUCTION
- + CONSTRUCTION MACHINERY
- + SHIPBUILDING
- + FOOD INDUSTRY



- + Easy and quick to fit – time-saving of 30 %
- + Internal gasket therefore particularly protected against UV radiation
- + Cable looms can be pre-manufactured
- + Corrosion protection: 720 hrs NSS according to DIN EN ISO 9227
- + EMC protection: coupling resistance
< 10 mΩ to 30 MHz, attenuation
> 70 dB to 100 MHz



PROVEN PRODUCT CHARACTERISTICS



IP PROTECTION TESTS

- IP 6x IEC 60529 | dust
- IP x5 IEC 60529 | spray water
- IP x8 IEC 60529 | immersion
- II x9k IEC 60529 | high pressure /steam jets



CORROSION TESTING

according to DIN EN ISO 9227

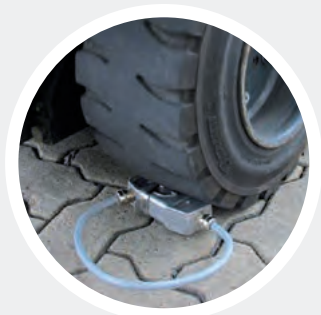


SHOCK AND VIBRATION TESTING

Requirement according to
DIN EN 50155 category 1, class B



IMPACT RESISTANCE TESTING IK 08



ROLL-OVER TEST

Based on DIN EN 62196-1



ELECTROMAGNETIC COMPATIBILITY (EMC)

In accordance with the
IEC 60603-7-3 standard

ASSEMBLING REVOS FLEX COMPACT 1M

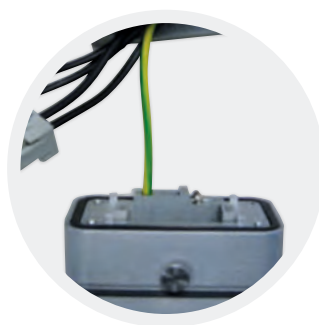
Here: control cabinet feedthrough with a 4-pole + PE, 14 A, 400 V connector.



Assembly
of hood



Insert stripped cable



Connect PE conductor



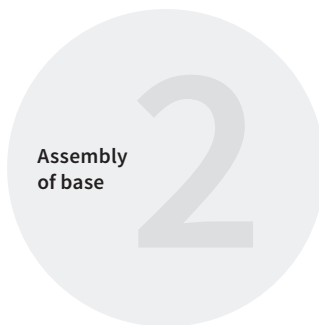
Engage module insert



Click!



Screw on upper shell



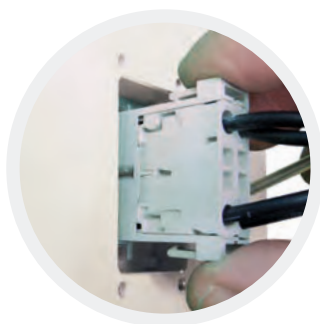
Assembly
of base



Affix base to the control cabinet



Connect PE



Snap in module insert
from inside



Click!



Fitting the
connector
system



Click!



Ready!



Detaching
the contact
insert



If required, detach the contact
insert with a screwdriver

REVOS FLEX COMPACT 1M · MODULE CARRIER AND UPPER SHELL



Module Carrier with or without locking lever



Upper Shell Lateral cable entry



Upper Shell Top cable entry



Cover for module carrier with or without locking lever

Description	Type	M	Part No.	P.U.
Module Carrier				
with locking lever	RFC MC L 1 M B0		78.320.0134.0	1
without locking lever	RFC MC 1 M B0		78.330.0134.0	1
Upper Shell				
Lateral cable entry M20				
with threaded collar	RFC TS 1M M20S B1	20	78.352.0134.1	1
with cable gland, IP68, \Rightarrow \Leftarrow 8 – 13 mm	RFC TS 1M M20S B5	20	78.352.0134.5	1
Lateral cable entry M25				
with threaded collar	RFC TS 1M M25S B1	25	78.353.0134.1	1
with cable gland, IP68, \Rightarrow \Leftarrow 11 – 18 mm	RFC TS 1M M25S B5	25	78.353.0134.5	1
Top cable entry M20				
with threaded collar	RFC TS 1M M20T B1	20	78.362.0134.1	1
with cable gland, IP68, \Rightarrow \Leftarrow 8 – 13 mm	RFC TS 1M M20T B5	20	78.362.0134.5	1
Top cable entry M25				
with threaded collar	RFC TS 1M M20T B1	25	78.363.0134.1	1
with cable gland, IP68, \Rightarrow \Leftarrow 11 – 18 mm	RFC TS 1M M20T B5	25	78.363.0134.5	1
Cover for module carrier				
with locking lever	RFC TC L 1M		07.431.4580.0	10
without locking lever	RFC TC 1M		07.431.4680.0	10

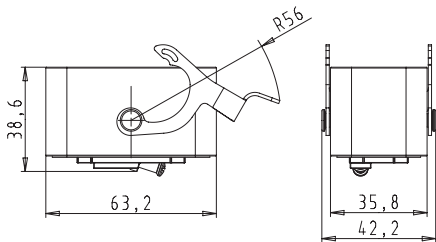
TECHNICAL DATA	
Material	aluminum
Surface	-
Locking levers	stainless steel
Gasket	NBR
PE connection	0.34 – 10 mm ²
Corrosion protection	1440 hrs (ISO 9227)
Mating cycles	500 (EN 61984)
Vibration	Class B – Category 1 (DIN EN 50155)
Degree of protection	
with appropriate cable glands	IP65 & IP68 (3 m / 10 hrs) & IP69k (DIN EN 60529)
Temperature range	-40 °C – +120 °C
EMC	
EMC coupling resistance acc. to IEC60603-7-3	< 10 mOhm DC to 10 MHz
EMC shielding attenuation	> 70dB 10 MHz to 100 MHz
Expanded measuring span (in connection with suitable EMC cable screw gland)	
Approval	
NEMA-Degree of protection	UL Type 4x
Applicable modules	all modules with module width 1

ACCESSORIES	Type	M	Part No.	P.U.
Cable gland IP68, nickel-plated brass	Connection range 8 – 13 mm	20	Z5.507.1321.0	10
Cable gland IP68, nickel-plated brass	Connection range 11 – 18 mm	25	Z5.507.1521.0	10
Cable gland IP68 EMC, nickel-plated brass	Connection range 7.5 – 14 mm	20	Z5.503.7221.0	10
Cable gland IP68 EMC, nickel-plated brass	Connection range 10 – 18 mm	25	Z5.503.7321.0	10
Cable gland IP69k nickel-plated brass	Connection range 6 – 12 mm	20	Z5.505.7121.0	10

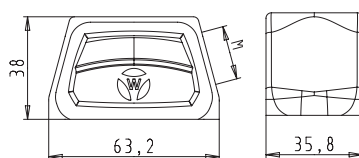
A combination for a control cabinet feed-through consists of one upper shell, one module carrier with locking lever and one without locking lever.
 A combination for a cable-to-cable connection consists of two upper shells, one module carrier with locking lever and one without locking lever.

DIMENSIONS

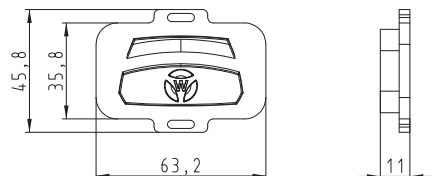
Module Carrier with locking lever



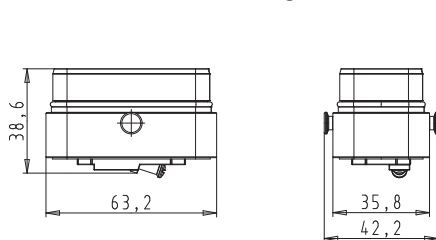
Upper Shell Lateral cable entry



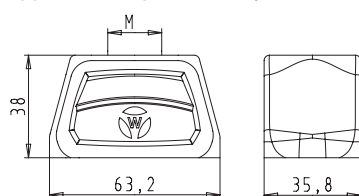
Cover for module Carrier with locking lever



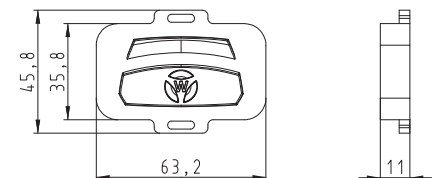
Module Carrier without locking lever



Upper Shell Top cable entry



Cover for module Carrier without locking lever

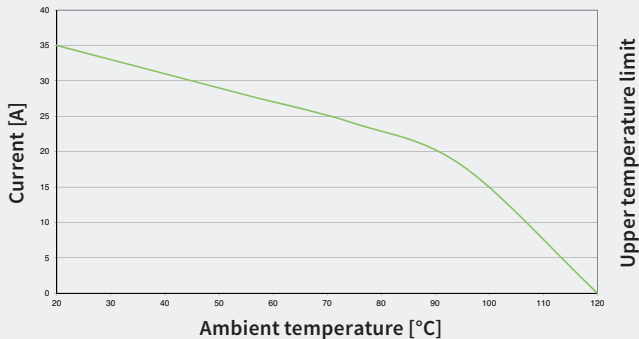


DERATING CURVE

DERATING CURVE according to IEC 60512 sec. 3

78.003/013.0253.0 **revos**FLEX 2-pole / **revos**FLEX COMPACT 1M

— Contact Ø 2.5 mm turned, 2.5 mm², 2-pole

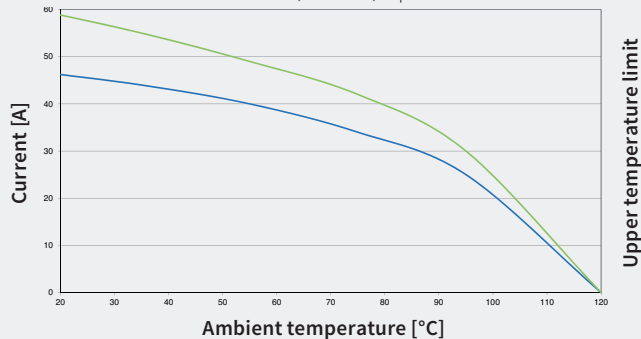


DERATING CURVE according to IEC 60512 sec. 3

78.004/014.0353.0 **revos**FLEX 3-pole / **revos**FLEX COMPACT 1M

— Contact Ø 3.6 mm turned, 6.0 mm², 3-pole

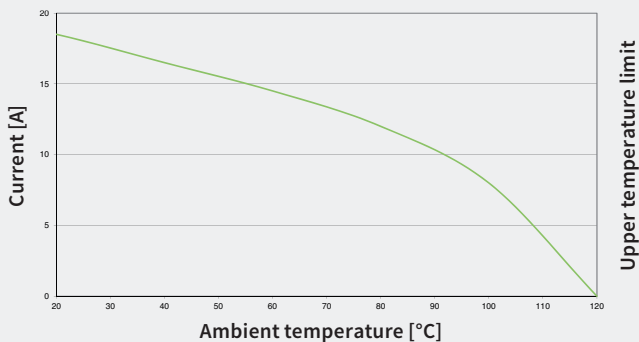
— Contact Ø 3.6 mm turned, 10 mm², 3-pole



DERATING CURVE according to IEC 60512 sec. 3

78.003/013.0453.0 **revos**FLEX 4-pole / **revos**FLEX COMPACT 1M

— Contact Ø 2.5 mm stamped, 1.5 mm², 4-pole

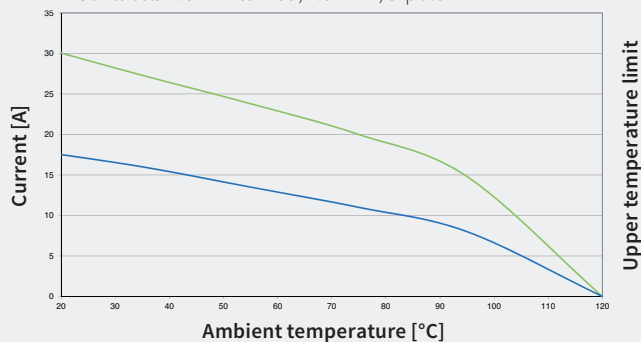


DERATING CURVE according to IEC 60512 sec. 3

78.003/013.0553.0 **revos**FLEX 5-pole / **revos**FLEX COMPACT 1M

— Contact Ø 2.5 mm turned, 1.0 mm², 5-pole

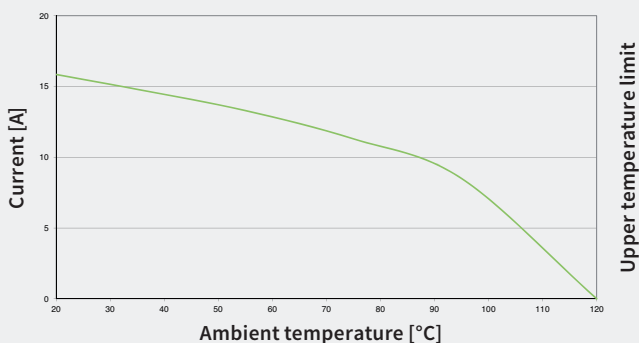
— Contact Ø 2.5 mm turned, 2.5 mm², 5-pole



DERATING CURVE according to IEC 60512 sec. 3

78.002/012.1053.0 **revos**FLEX 10-pole / **revos**FLEX COMPACT 1M

— Contact Ø 1.6 mm turned, 1.0 mm², 10-pole

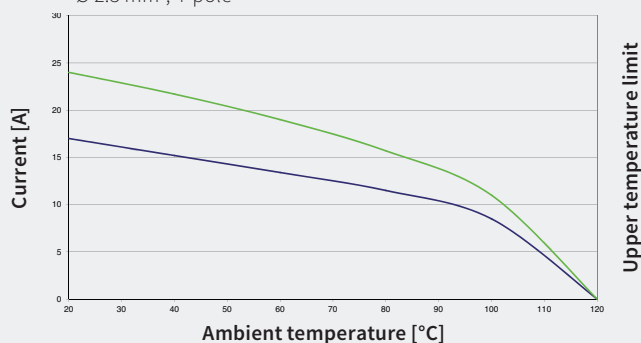


DERATING CURVE according to IEC 60512 sec. 3

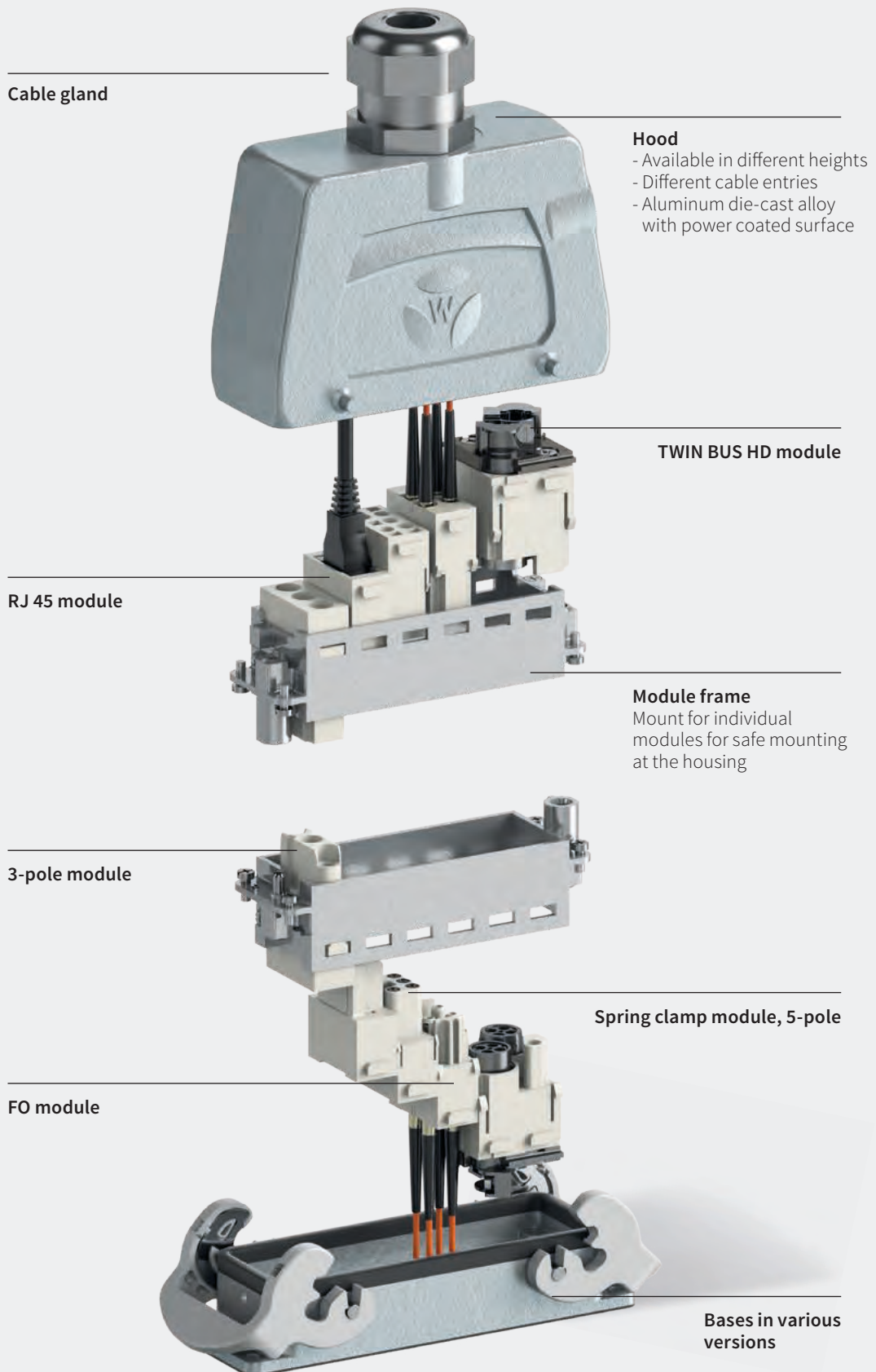
revosFLEX Spring clamp module 78.203/213.0453.0 / **revos**FLEX COMPACT 1M

— Ø 1.0 mm², 4-pole

— Ø 2.5 mm², 4-pole



REVOS MODULAR – SYSTEM DESIGN



REVOS MODULAR INDUSTRIAL CONNECTORS

Increase productivity with a fully customizable industrial connector that replaces the need for separate connections for power, signals, and communication.

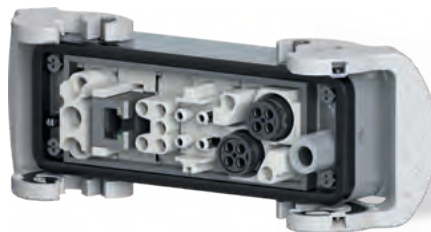
With interchangeable inserts the revos MODULAR can offer power, signal, and communication and fiber optic connections in a single adapter. Designed to reduce cabling complexity and the amount of individual connections required, this connector system is a flexible and long-term solution for modern industrial environments.

The module frame made of die-cast zinc makes it easy to assemble and disassemble the modules and is available in 4 different sizes.

The high-quality die-cast aluminum housing is powder-coated and designed for industrial use in extreme & rough environments. It provides protection against external mechanical impact, the ingress of foreign material such as dust moisture, water, oils or other liquids.

BENEFITS:

- + POWER, SIGNAL, AND COMMUNICATION IN ONE CONNECTOR
- + FASTER INSTALLATION TIMES
- + FULLY CUSTOMIZABLE
- + EASY INSTALLATION AND REMOVAL
- + REDUCED CABLING COMPLEXITY IS POSSIBLE



POWER

The power modules can handle 16 A to 40 A and 400 V to 830 V (UL 600 V), and are available in as 3-, 4-, 5-, 8- and 20-pole versions, with crimp or spring clamp connection technology.



SIGNAL

Transmit a range of signals with these 12- and 17-pole modules, for 10 A and 160 V up to 250 V (UL 600 V) with crimp connection technology.



COMMUNICATION

Whether you have a standard Ethernet, fast fiber optic, or a shielded cable connection, we've got you covered.

REVOS MODULAR · MODULAR INSERTS

Axial-Connection, screw connection



Male insert



Female insert

Description	Type	Part No.	P.U.
Modular inserts revos MODULAR			
3-pole			
Male insert	MOD STS 3 6 69 AG (2.5 – 6 mm ²)	78.115.4056.0	10
Female insert	MOD BUS 3 6 69 AG (2.5 – 6 mm ²)	78.105.4056.0	10
Male insert	MOD STS 3 10 69 AG (6 – 10 mm ²)	78.115.4156.0	10
Female insert	MOD BUS 3 10 69 AG (6 – 10 mm ²)	78.105.4156.0	10

TECHNICAL DATA

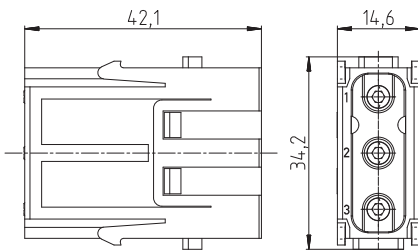
Rated voltage	690 V
Rated voltage according to UL	600 V
Rated impulse voltage	8 kV
Rated current	40 A
Degree of pollution	3
Insulation strip length	see below
Contact resistance	≤ 1 mΩ
Mating cycles	500
Insulating material	Polycarbonate, halogen-free
Flammability	UL 94 V-0
Temperature range	-40 °C...+120 °C

ACCESSORIES	Type	Part No.	P.U.
Axial screwdriver	POW AXIALSHR ISK SW 2	05.502.4500.0	1

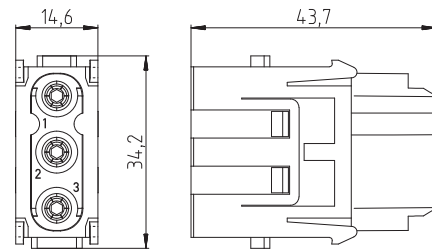
Conductor	2.5 mm ²	4 mm ²	6 mm ²	10 mm ²
Stripping Length	5+1	5+1	8+1	11+1
Tightening torque	1.5 Nm	1.5 Nm	2 Nm	2 Nm

DIMENSIONS

Male insert



Female insert



DERATING CURVE

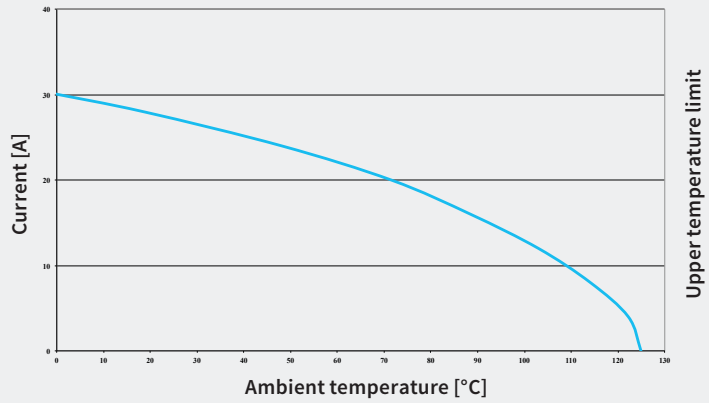
according to DIN EN 60512-5-2

Stand: 2003-1

revos MODULAR

equipped with 6 modules 78.105.4056.0
and 78.115.4056.0

— Cable cross section 4 mm²



DERATING CURVE

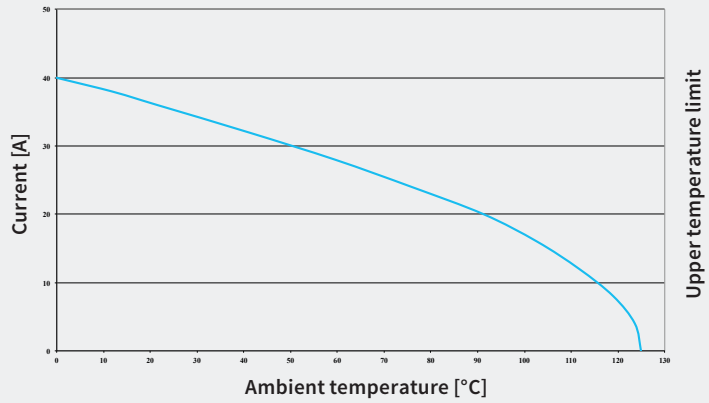
according to DIN EN 60512-5-2

Stand: 2003-1

revos MODULAR

equipped with 6 modules 78.105.4056.0
and 78.115.4056.0

— Cable cross section 6 mm²



DERATING CURVE

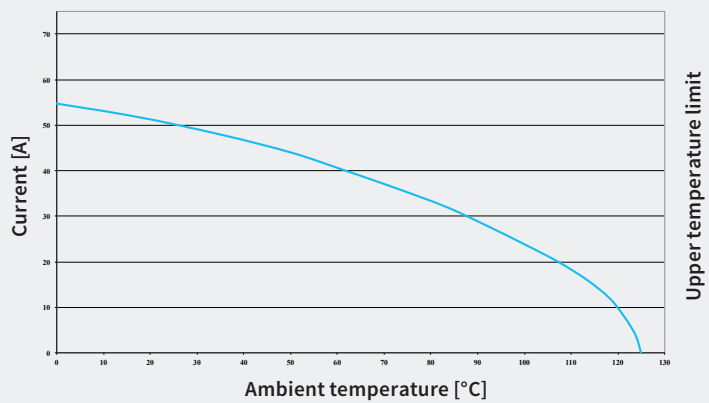
according to DIN EN 60512-5-2

Stand: 2003-1

revos MODULAR

equipped with 6 modules 78.105.4156.0
and 78.115.4156.0

— Cable cross section 10 mm²



REVOS MODULAR · MODULAR INSERTS

3-pole, crimp connection



Male insert



Female insert

Description	Type	Part No.	P.U.
Modular insert revos MODULAR	3-pole		
Male insert	MOD STC 3 50	78.014.4056.0	10
Female insert	MOD BUC 3 50	78.004.4056.0	10

Contacts	mm ² / AWG, turned Ø 4 mm		
Male contact, Ag	1.5 / 16	05.545.9200.8	100
Female contact, Ag	1.5 / 16	02.126.6700.8	100
Male contact, Ag	2.5 / 14	05.545.9300.8	100
Female contact, Ag	2.5 / 14	02.126.6800.8	100
Male contact, Ag	6.0 / 10	05.545.9500.8	100
Female contact, Ag	6.0 / 10	02.126.7000.8	100

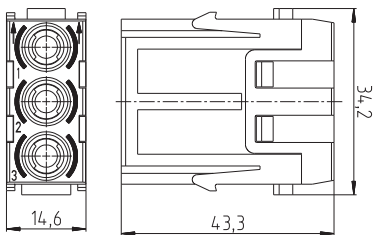
TECHNICAL DATA

Rated voltage	500 V
Rated voltage as per UL	600 V
Rated impulse voltage	6 kV
Rated current	40 A
Pollution degree	3
Insulation strip length	9.0 mm (conductor cross-section 1.5 mm ² / AWG 16 + 2.5 mm ² / AWG 14) 9.6 mm (conductor cross-section 6.0 mm ² / AWG 10)
Contact resistance	≤ 1 mΩ
Mating cycles	500
Isolation material	Polycarbonate
Combustibility	UL 94 V-0
Temperature range	-40 °C...+120 °C

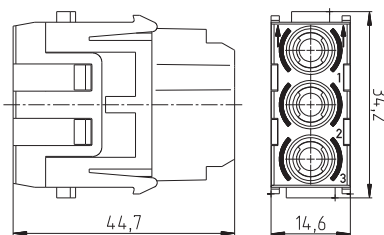
ACCESSORIES	Type	Part No.	P.U.
Crimping tool		95.101.0800.0	1
Crimping die	"H"	05.502.5000.0	1
Crimping die	"D" for 05.545.9500.8	05.502.2300.0	1
Contact positioner	"6"	05.502.5200.0	1
Extraction tool		05.502.4400.0	1

DIMENSIONS

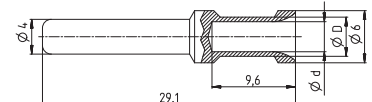
Male insert



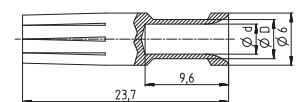
Female insert



Male contact



Female contact



DERATING CURVE

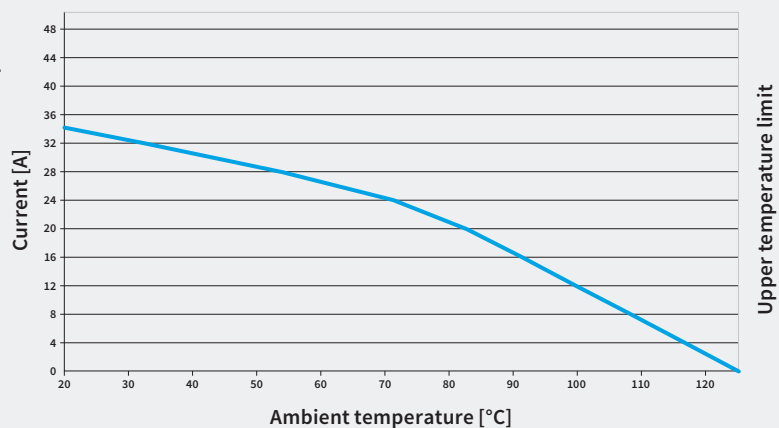
in compliance with DIN EN 60512-5-2

Last updated: 2003-1

revos MODULAR

Housing size 24

equipped with 6 modules 78.014.4056.0 and 78.004.4056 and Ø 4.0 mm contacts with a rated cross-section of 6.0 mm²



REVOS MODULAR · MODULAR INSERTS

4-pole, crimp connection



Male insert



Female insert

Description	Type	Part No.	P.U.
Modular insert revos MODULAR	4-pole		
Male insert	MOD STC 4 83	78.014.4156.0	10
Female insert	MOD BUC 4 83	78.004.4156.0	10

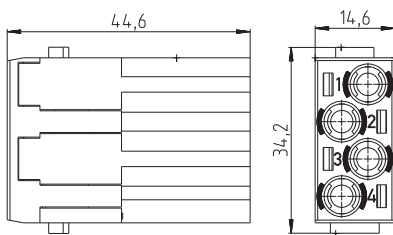
Contacts	mm ² / AWG, turned Ø 4 mm		
Male contact, Ag	1.5 / 16	05.545.9200.8	100
Female contact, Ag	1.5 / 16	02.126.6700.8	100
Male contact, Ag	2.5 / 14	05.545.9300.8	100
Female contact, Ag	2.5 / 14	02.126.6800.8	100
Male contact, Ag	6.0 / 10	05.545.9500.8	100
Female contact, Ag	6.0 / 10	02.126.7000.8	100

TECHNICAL DATA	
Rated voltage	830 V
Rated voltage as per UL	600 V
Rated impulse voltage	8 kV
Rated current	40 A
Pollution degree	2
Insulation strip length	9.0 mm (conductor cross-section 1.5 mm ² / AWG 16 + 2.5 mm ² / AWG 14) 9.6 mm (conductor cross-section 6.0 mm ² / AWG 10)
Contact resistance	≤ 1 mΩ
Mating cycles	500
Isolation material	Polycarbonate
Combustibility	UL 94 V-0
Temperature range	-40 °C...+120 °C

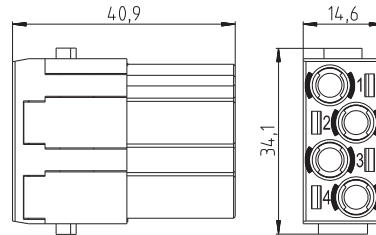
ACCESSORIES	Type	Part No.	P.U.
Crimping tool		95.101.0800.0	1
Crimping die	"H"	05.502.5000.0	1
Crimping die	"D" for 05.545.9500.8	05.502.2300.0	1
Contact positioner	"6"	05.502.5200.0	1
Extraction tool		05.502.4400.0	1

DIMENSIONS

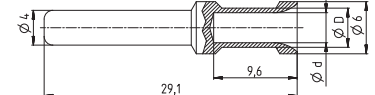
Male insert



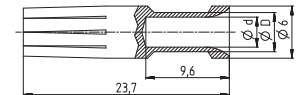
Female insert



Male contact



Female contact



DERATING CURVE

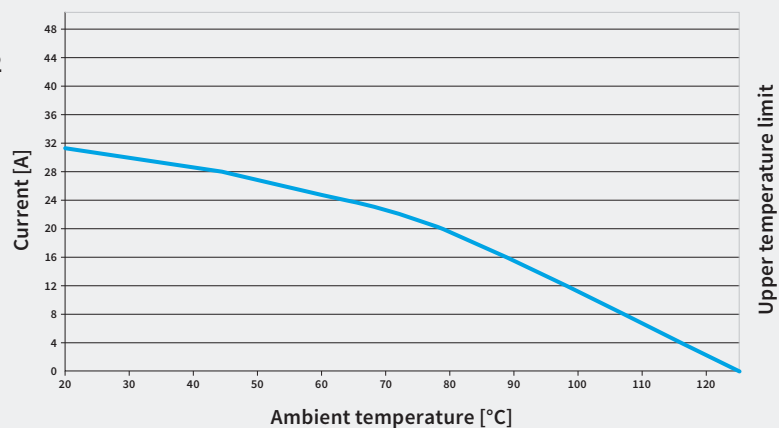
in compliance with DIN EN 60512-5-2

Last updated: 2003-1

revos MODULAR

Housing size 24

equipped with 6 modules 78.014.4156.0 and 78.004.4156.0 and Ø 4.0 mm contacts with a rated cross-section of 6.0 mm²



REVOS MODULAR · MODULAR INSERTS

5-pole, spring clamp connection



Male insert



Female insert

Description	Type	Part No.	P.U.
Modular insert revos MODULAR	5-pole		
Male insert	MOD STF 5 2,5 40 AG	78.213.4056.0	10
Female insert	MOD BUF 5 2,5 40 AG	78.203.4056.0	10

TECHNICAL DATA

Rated voltage	L-PG 230 V / L-L 400 V
Rated voltage as per UL	600 V
Rated impulse voltage	4 kV
Rated current	16A
Pollution degree	2
Insulation strip length	7.0 mm – 9.0 mm

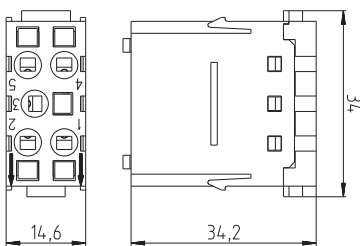
Rated cross-section

EN 60999	0.14 – 2.5 mm ²
UL	26 - 14 AWG
Mating cycles	500
Contact resistance	≤ 3 mΩ
Isolation material	Polycarbonate
Combustibility	UL 94 V-0
Temperature range	-40 °C...+120 °C

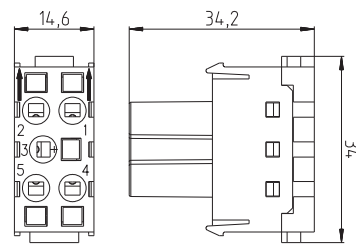
ACCESSORIES	Type	Part No.	P.U.
Screwdriver	DIN 5264 A 0.6X3.5 mm	06.502.4000.0	5

DIMENSIONS

Male insert



Female insert



DERATING CURVE

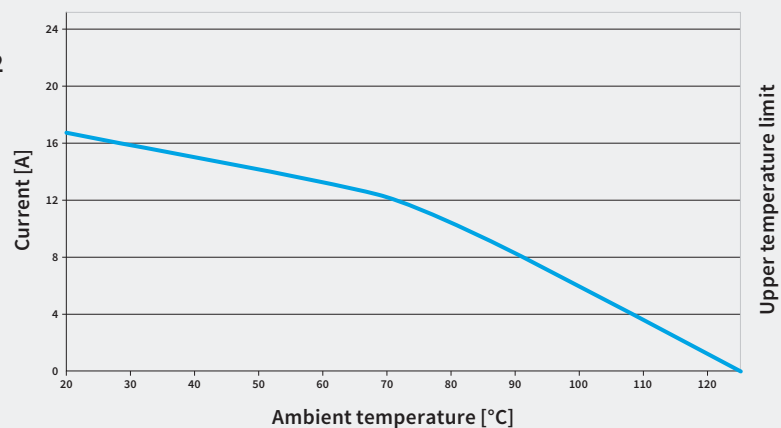
in compliance with DIN EN 60512-5-2

Last updated: 2003-1

revos MODULAR

Housing size 24

equipped with 6 modules 78.213.4056.0 and 78.203.4056.0 and Ø 2.5 mm contacts with a rated cross-section of 2.5 mm²



REVOS MODULAR · MODULAR INSERTS

8-pole, crimp connection



Male insert



Female insert

Description	Type	Part No.	P.U.
Modular insert revos MODULAR	8-pole		
Male insert	MOD STC 8 40	78.013.4056.0	10
Female insert	MOD BUC 8 40	78.003.4056.0	10

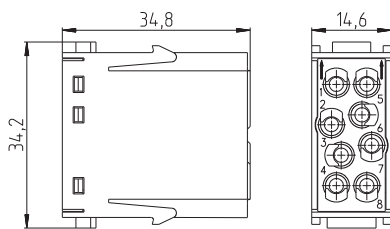
Contacts	mm ² / AWG, turned Ø 2.5 mm		
Male contact, Ag	0.5 / 20	05.545.8600.8	100
Female contact, Ag	0.5 / 20	02.126.6100.8	100
Male contact, Ag	0.75 / 18	05.545.8700.8	100
Female contact, Ag	0.75 / 18	02.126.6200.8	100
Male contact, Ag	1.0 / 18	05.545.8800.8	100
Female contact, Ag	1.0 / 18	02.126.6300.8	100
Male contact, Ag	1.5 / 16	05.545.8900.8	100
Female contact, Ag	1.5 / 16	02.126.6400.8	100
Male contact, Ag	2.5 / 14	05.545.9000.8	100
Female contact, Ag	2.5 / 14	02.126.6500.8	100
Male contact, Ag	4.0 / 12	05.545.9100.8	100
Female contact, Ag	4.0 / 12	02.126.6600.8	100

TECHNICAL DATA	
Rated voltage	400V
Rated voltage as per UL	600 V
Rated impulse voltage	6 kV
Rated current	16A
Pollution degree	3
Insulation strip length	7,5 mm
Contact resistance	≤ 1 mΩ
Mating cycles	500
Isolation material	Polycarbonate
Combustibility	UL 94 V-0
Temperature range	-40 °C...+120 °C

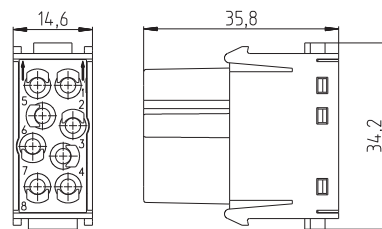
ACCESSORIES	Type	Part No.	P.U.
Crimping tool		95.101.0800.0	1
Crimping die	"G"	05.502.4900.0	1
Contact positioner	"5"	05.502.5100.0	1
Extraction tool		05.502.3500.0	1

DIMENSIONS

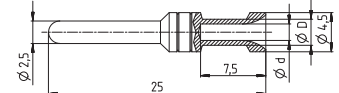
Male insert



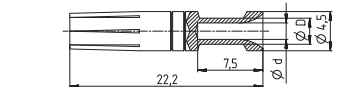
Female insert



Male contact



Female contact



DERATING CURVE

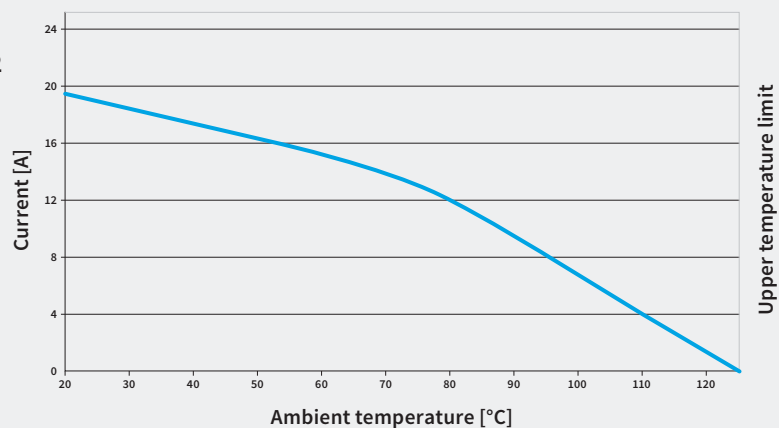
in compliance with DIN EN 60512-5-2

Last updated: 2003-1

revos MODULAR

Housing size 24

equipped with 6 modules 78.013.4056.0 and 78.003.4056.0 and Ø 2.5 mm contacts with a rated cross-section of 2.5 mm²



REVOS MODULAR · MODULAR INSERTS

12-pole, crimp connection



Male insert



Female insert

Description	Type	Part No.	P.U.
Modular insert revos MODULAR	12 pole		
Male insert	MOD STC 12 25	78.012.4056.0	1
Female insert	MOD BUC 12 25	78.002.4056.0	1
Contacts	mm² / AWG, turned Ø 1.6 mm		
Male contact, Ag	0.14 - 0.37 / 26 - 22	05.545.7900.8	1
Female contact, Ag	0.14 - 0.37 / 26 - 22	02.126.5400.8	1
Male contact, Ag	0.5 / 20	05.545.8000.8	1
Female contact, Ag	0.5 / 20	02.126.5500.8	1
Male contact, Ag	0.75 / 18	05.545.8100.8	1
Female contact, Ag	0.75 / 18	02.126.5600.8	1
Male contact, Ag	1.0 / 18	05.545.8200.8	1
Female contact, Ag	1.0 / 18	02.126.5700.8	1
Male contact, Ag	1.5 / 16	05.545.8300.8	1
Female contact, Ag	1.5 / 16	02.126.5800.8	1

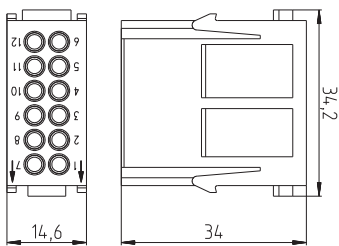
TECHNICAL DATA

Rated voltage	250 V
Rated voltage as per UL	600 V
Rated impulse voltage	4 kV
Rated current	10 A
Pollution degree	3
Insulation strip length	8.0 mm
Contact resistance	≤ 3 mΩ
Mating cycles	500
Isolation material	Polycarbonate
Combustibility	UL 94 V-0
Temperature range	-40 °C...+120 °C
Certificates / approvals	cRUus

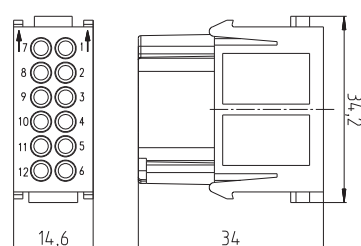
ACCESSORIES	Type	Part No.	P.U.
Crimping tool		95.101.0800.0	1
Crimping die	"G"	05.502.4900.0	1
Contact positioner	"5"	05.502.5100.0	1
Extraction tool		05.502.0710.0	1

DIMENSIONS

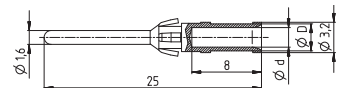
Male insert



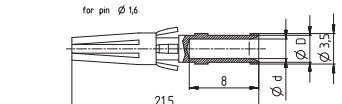
Female insert



Male contact



Female contact



DERATING CURVE

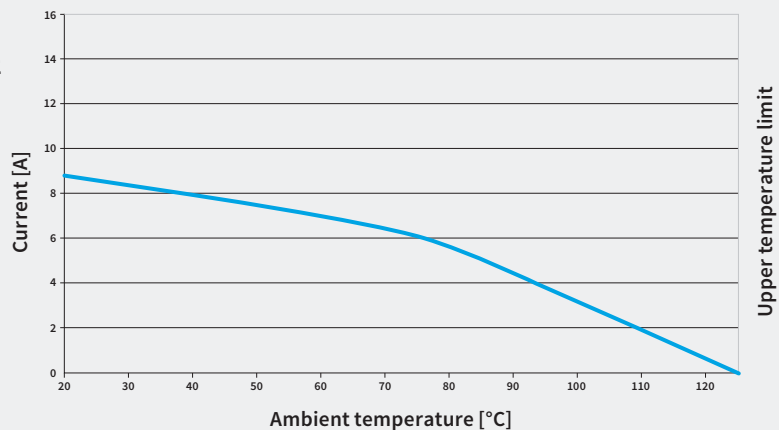
in compliance with DIN EN 60512-5-2

Last updated: 2003-1

revos MODULAR

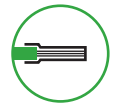
Housing size 24

equipped with 6 modules 78.012.4056.0 and 78.002.4056.0 and Ø 1.6 mm contacts with a rated cross-section of 1.5 mm²



REVOS MODULAR · MODULAR INSERTS

17-pole, crimp connection



Male insert



Female insert

Description	Type	Part No.	P.U.
Modular insert revos MODULAR	17 pole		
Male insert	MOD STC 17 16	78.012.4156.0	10
Female insert	MOD BUC 17 16	78.002.4156.0	10
Contacts	mm² / AWG, turned Ø 1.6 mm		
Male contact, Ag	0.14 - 0.37 / 26 - 22	05.545.7900.8	100
Female contact, Ag	0.14 - 0.37 / 26 - 22	02.126.5400.8	100
Male contact, Ag	0.5 / 20	05.545.8000.8	100
Female contact, Ag	0.5 / 20	02.126.5500.8	100
Male contact, Ag	0.75 / 18	05.545.8100.8	100
Female contact, Ag	0.75 / 18	02.126.5600.8	100
Male contact, Ag	1.0 / 18	05.545.8200.8	100
Female contact, Ag	1.0 / 18	02.126.5700.8	100
Male contact, Ag	1.5 / 16	05.545.8300.8	100
Female contact, Ag	1.5 / 16	02.126.5800.8	100

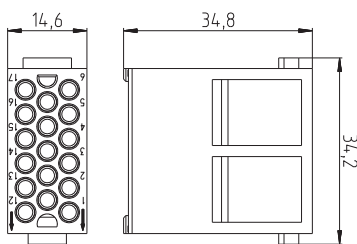
TECHNICAL DATA

Rated voltage	160 V
Rated voltage as per UL	600 V
Rated impulse voltage	2.5 kV
Rated current	10 A
Pollution degree	2
Insulation strip length	8.0 mm
Contact resistance	≤ 3 mΩ
Mating cycles	500
Isolation material	Polycarbonate
Combustibility	UL 94 V-0
Temperature range	-40 °C...+120 °C

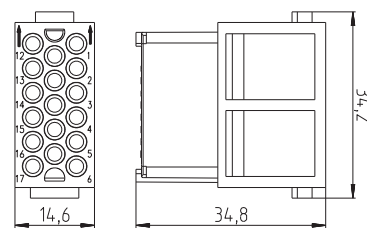
ACCESSORIES	Type	Part No.	P.U.
Crimping tool		95.101.0800.0	1
Crimping die	"G"	05.502.4900.0	1
Contact positioner	"5"	05.502.5100.0	1
Extraction tool		05.502.0710.0	1

DIMENSIONS

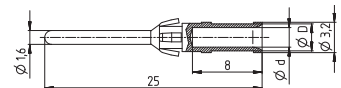
Male insert



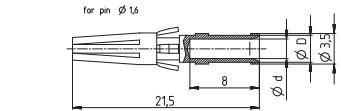
Female insert



Male contact



Female contact



DERATING CURVE

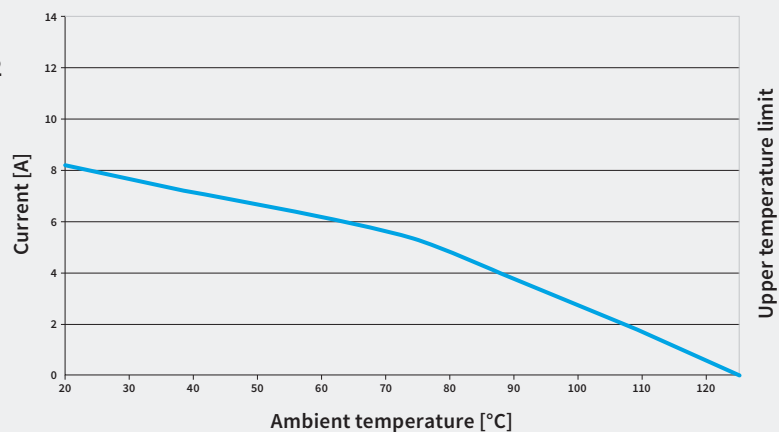
in compliance with DIN EN 60512-5-2

Last updated: 2003-1

revos MODULAR

Housing size 24

equipped with 6 modules 78.012.4156.0 and 78.002.4156.0 and Ø 1.6 mm contacts with a rated cross-section of 1.5 mm²



REVOS MODULAR · MODULAR INSERTS

20-pole, crimp connection



Male insert



Female insert

Description	Type	Part No.	P.U.
Modular insert revos MODULAR	20-pole		
Male insert	MOD STC 20 50	78.013.4156.0	10
Female insert	MOD BUC 20 50	78.003.4156.0	10

Contacts	mm ² / AWG, turned Ø 2.5 mm		
Male contact, Ag	0.5 / 20	05.545.8600.8	100
Female contact, Ag	0.5 / 20	02.126.6100.8	100
Male contact, Ag	0.75 / 18	05.545.8700.8	100
Female contact, Ag	0.75 / 18	02.126.6200.8	100
Male contact, Ag	1.0 / 18	05.545.8800.8	100
Female contact, Ag	1.0 / 18	02.126.6300.8	100
Male contact, Ag	1.5 / 16	05.545.8900.8	100
Female contact, Ag	1.5 / 16	02.126.6400.8	100
Male contact, Ag	2.5 / 14	05.545.9000.8	100
Female contact, Ag	2.5 / 14	02.126.6500.8	100
Male contact, Ag	4.0 / 12	05.545.9100.8	100
Female contact, Ag	4.0 / 12	02.126.6600.8	100

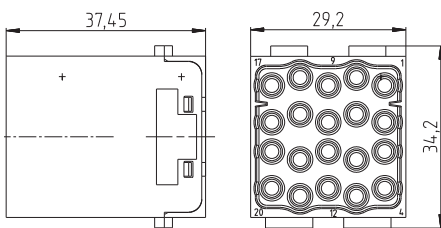
TECHNICAL DATA

Rated voltage	500 V
Rated voltage as per UL	600 V
Rated impulse voltage	6 kV
Rated current	16A
Pollution degree	3
Insulation strip length	7,5 mm
Contact resistance	≤ 1 mΩ
Mating cycles	500
Isolation material	Polycarbonate
Combustibility	UL 94 V-0
Temperature range	-40 °C...+120 °C

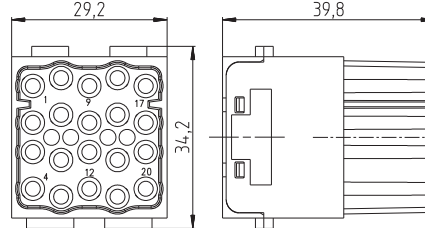
ACCESSORIES	Type	Part No.	P.U.
Crimping tool		95.101.0800.0	1
Crimping die	"G"	05.502.4900.0	1
Contact positioner	"5"	05.502.5100.0	1
Extraction tool		05.502.3500.0	1

DIMENSIONS

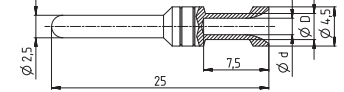
Male insert



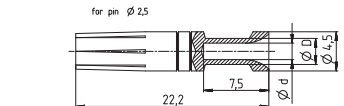
Female insert



Male contact



Female contact



DERATING CURVE

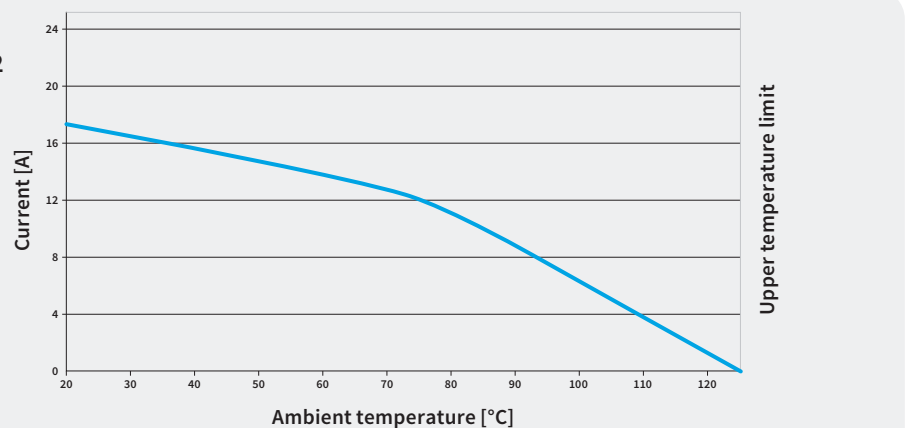
in compliance with DIN EN 60512-5-2

Last updated: 2003-1

revos MODULAR

Housing size 24

equipped with 3 modules 78.013.4156.0 and 78.003.4156.0 and Ø 2.5 mm contacts with a rated cross-section of 4.0 mm²



REVOS MODULAR · MODULAR INSERTS

Blank module

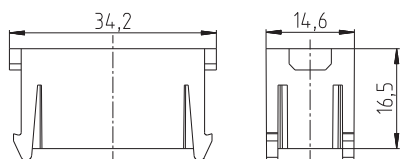


Description	Type	Part No.	P.U.
Modular insert revos MODULAR	Blank module		
Blank module	MOD DUMMY	78.990.4056.0	10

TECHNICAL DATA	
Isolation material	Polycarbonate
Combustibility	UL 94 V-0
Temperature range	-40 °C...+120 °C

DIMENSIONS

Blank module



REVOS MODULAR · MODULAR INSERTS

TWIN BUS HD, 4-pole + Shielded braid, crimp connection



Male insert



Female insert



Male insert for contact carrier



Female insert for contact carrier



Potential adapter

Description	Type	Part No.	P.U.
Modular insert revos MODULAR	Twin Bus HD		
Male insert	MOD STX 2 05	78.019.4056.0	10
Female insert	MOD BUX 2 05	78.009.4056.0	10
Male contact for contact carrier	MOD STKT 4 05	Z6.562.7456.0	1
Female contact for contact carrier	MOD BUKT 4 05	Z6.562.7356.0	1
Potential adapter	MOD ZBH	Z6.562.7521.0	10
Contacts	mm² / AWG, turned Ø 1.6 mm		
Male contact, Ag	0.14 - 0.37 / 26 - 22	05.545.7900.8	100
Female contact, Ag	0.14 - 0.37 / 26 - 22	02.126.5400.8	100
Male contact, Ag	0.5 / 20	05.545.8000.8	100
Female contact, Ag	0.5 / 20	02.126.5500.8	100
Male contact, Ag	0.75 / 18	05.545.8100.8	100
Female contact, Ag	0.75 / 18	02.126.5600.8	100
Male contact, Ag	1.0 / 18	05.545.8200.8	100
Female contact, Ag	1.0 / 18	02.126.5700.8	100
Male contact, Ag	1.5 / 16	05.545.8300.8	100
Female contact, Ag	1.5 / 16	02.126.5800.8	100

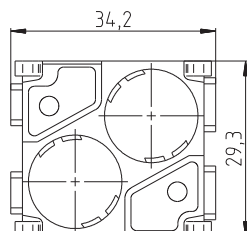
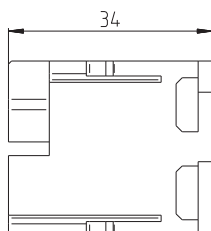
TECHNICAL DATA

Rated voltage	50 V
Rated voltage as per UL	50 V
Rated impulse voltage	0.8 kV
Rated current	10 A
Pollution degree	3
Number of contacts	0.8 kV
Screen	Screen is attached to the contact carrier through the cable clip
Outside diameter of the screened cable	3 mm - 6 mm / 6 mm - 9.5 mm
Insulation strip length	8 mm
Contact resistance	≤ 4 mΩ
Insulation resistance	≥ 10 ¹⁰ Ω
Mating cycles	500
Isolation material	Polycarbonate
Combustibility	UL 94 V-0
Temperature range	-40 °C...+120 °C

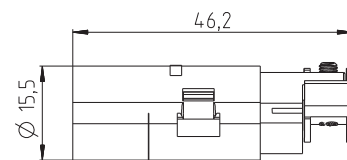
ACCESSORIES	Type	Part No.	P.U.
Crimping tool		95.101.0800.0	1
Crimping die	"G"	05.502.4900.0	1
Contact positioner	"5"	05.502.5100.0	1
Extraction tool		05.502.0710.0	1

DIMENSIONS

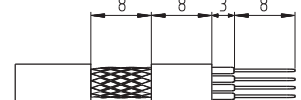
Male insert



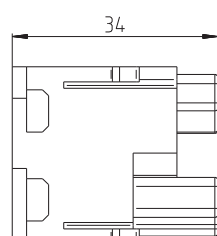
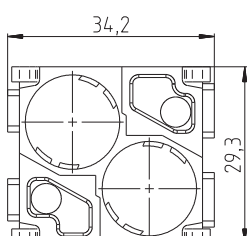
Male contact for contact carrier



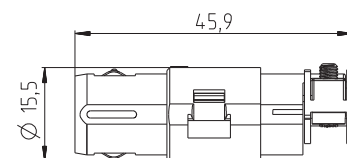
Insulation strip length



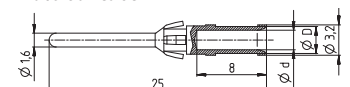
Female insert



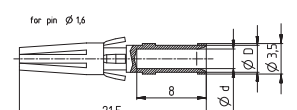
Female contact for contact carrier



Male contact



Female contact



REVOS MODULAR · MODULAR INSERTS

SC module, 4-pole



SC Male insert



SC Female insert



SC contact

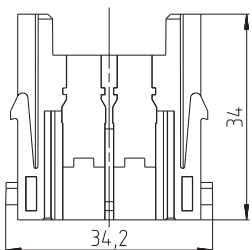
Description	Type	Part No.	P.U.
Modular insert revos MODULAR	SC module		
Male insert SC module	MOD STL LWL SC 4	78.930.4256.0	10
Female insert SC module	MOD BUL LWL SC 4	78.920.4256.0	10
Adapter			

TECHNICAL DATA	
Number of contacts	4
Insertion loss	< 0.5 dB
For GI fiber	50 - 62.5 /125 µm
Mating cycles	500
Isolation material	Polycarbonate
Combustibility	UL 94 V-0
Temperature range	-40 °C...+120 °C

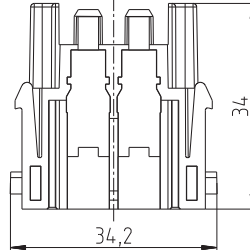
ACCESSORIES	Type	Part No.	P.U.
SC contact	MOD ZBH LWL SC	78.990.4256.0	1

DIMENSIONS

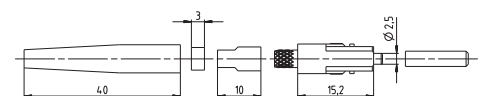
SC Male insert



SC Female insert



SC contact



REVOS MODULAR · MODULAR INSERTS

RJ 45



Male insert for adapter



Adapter for RJ 45 patch cable



RJ 45, Female insert

Description	Type	Part No.	P.U.
Modular insert revos MODULAR	RJ 45		
Male insert RJ 45	MOD ST RJ 45	78.930.4156.0	10
Adapter for male insert RJ 45	MOD ZBH RJ 45	78.990.4156.0	10
Female insert RJ 45	MOD BU RJ 45	78.920.4156.0	10

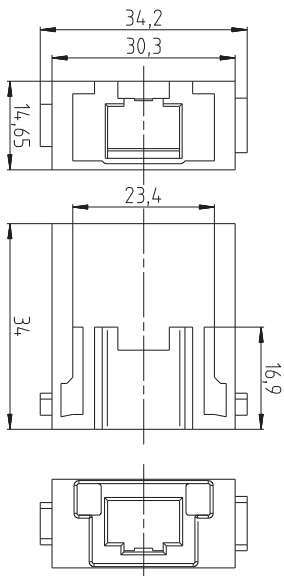
TECHNICAL DATA

Number of contacts	8
Rated voltage	50 V
Rated voltage as per UL	< 30 V
Rated impulse voltage	0.8 kV
Rated current	1 A
Pollution degree	3
Transmission characteristics	Category 6 for Class E _A
Data rate	10/100/1000 Mbps
Mating cycles	500
Isolation material	Polycarbonate
Combustibility	UL 94 V-0
Temperature range	-40 °C...+120 °C

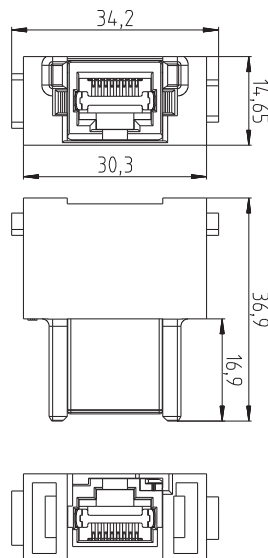
Male insert for adapter and adapter for RJ 45 patch cable are installed together. See picture on next page.

DIMENSIONS

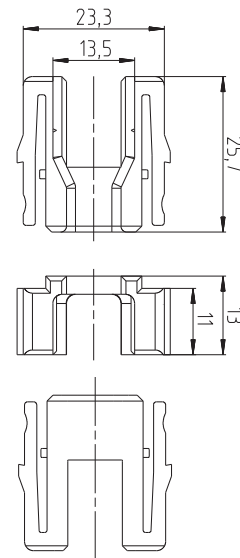
Male insert



Female insert



Adapter



REVOS MODULAR · MODULAR INSERTS

RJ 45 patch cable



RJ 45 cable assembly

Description	Type	Part No.	P.U.
900 MHz PiMF cable, on both sides with screened RJ 45 connectors			
RJ 45 patch cable - 0.25 m	MOD ZBH RJ 45 0.25 m	78.999.4000.0	1
RJ 45 patch cable - 0.5 m	MOD ZBH RJ 45 0.5 m	78.999.4100.0	1
RJ 45 patch cable - 1.0 m	MOD ZBH RJ 45 1.0 m	78.999.4200.0	1
RJ 45 patch cable - 2.0 m	MOD ZBH RJ 45 2.0 m	78.999.4300.0	1
RJ 45 patch cable - 3.0 m	MOD ZBH RJ 45 3.0 m	78.999.4400.0	1
RJ 45 patch cable - 5.0 m	MOD ZBH RJ 45 5.0 m	78.999.4500.0	1
RJ 45 patch cable - 7.5 m	MOD ZBH RJ 45 7.5 m	78.999.4600.0	1
RJ 45 patch cable - 10.0 m	MOD ZBH RJ 45 10.0 m	78.999.4700.0	1

TECHNICAL DATA

Transmission characteristics	Category 6 for Class E _A
Data rate	up to 1000 Mbps
Core design	4x2xAWG26
Cable	Cu strand, uncoated
Cable sheath	LSZH sheath
Color	grey*
Temperature limit	-10 °C...+70 °C, -5 °C...+70 °C when moving

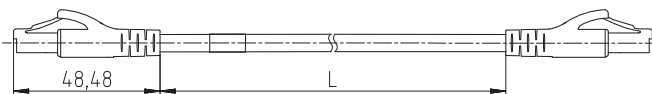
* Cable length 0.25 m - white



Installation of RJ 45 patch cable in the adapter

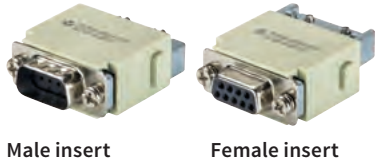
DIMENSIONS

Male insert



REVOS MODULAR · MODULAR INSERTS

D-Sub, 9-pole, crimp connection



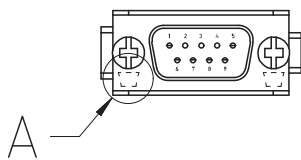
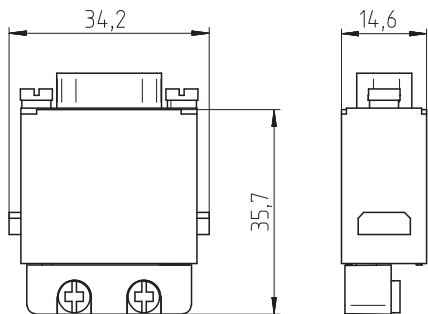
Male insert

Female insert

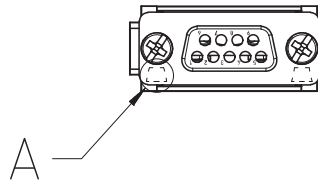
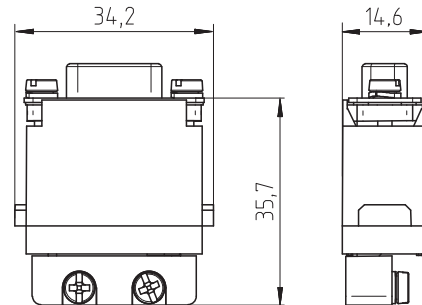
Description	Type	Part No.	P.U.
Modular insert revos MODULAR	9-polig		
Male insert	MOD STC D-SUB 9	78.930.4056.0	10
Female insert	MOD BUC D-SUB 9	78.920.4056.0	10
Contacts	mm ² / AWG, turned \varnothing 1 mm		
Male insert, Ag	0.52 – 0.82 / 20 – 18	05.546.4300.8	100
Female insert, Ag	0.52 – 0.82 / 20 – 18	02.127.1500.8	100
Male insert, Au	0.52 – 0.82 / 20 – 18	05.546.4300.7	100
Female insert, Au	0.52 – 0.82 / 20 – 18	02.127.1500.7	100
TECHNICAL DATA			
Rated voltage	50 V		
Rated impulse voltage	0,8 kV		
Rated current	5 A		
Degree of pollution	3		
Insulation strip length	5 mm		
Contact resistance	\leq 3 m Ω		
Mating cycles	500		
Insulating material	Polycarbonate, halogen-free		
Flammability	UL 94 V-0		
Temperature range	-40 °C...+120 °C		
ACCESSORIES			
Crimping tool		95.101.2800.0	1
Extraction tool	revos MOD D-SUB	05.502.3000.0	1

DIMENSIONS

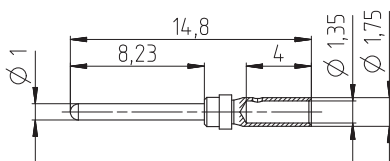
Male insert



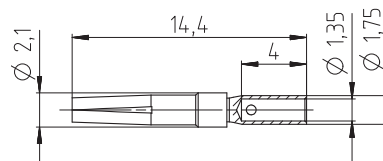
Female insert



Male insert



Female insert



REVOS MODULAR · MODULE FRAME



2 slots



3 slots



4 slots



6 slots

Description	Type	Part No.	P.U.
Module frame revos MODULAR	2 slots, housing size 6H		
Die-cast zinc			
For 2 modules, A - B	MOD MRG 6	78.210.4029.0	5
For 2 modules, a - b	MOD MRK 6	78.200.4029.0	5
Module frame revos MODULAR	3 slots, housing size 10H		
Die-cast zinc			
For 3 modules, A - C	MOD MRG 10	78.210.4129.0	5
For 3 modules, a - c	MOD MRK 10	78.200.4129.0	5
Module frame revos MODULAR	4 slots, housing size 16H		
Die-cast zinc			
For 4 modules, A - D	MOD MRG 16	78.210.4229.0	5
For 4 modules, a - d	MOD MRK 16	78.200.4229.0	5
Module frame revos MODULAR	6 slots, housing size 24H		
Die-cast zinc			
For 6 modules, A - F	MOD MRG 24	78.210.4329.0	5
For 6 modules, a - f	MOD MRK 24	78.200.4329.0	5

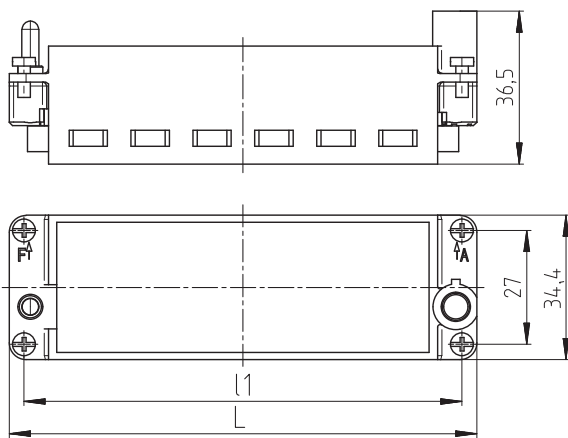
TECHNICAL DATA

PE contact	max. 0.3 Ω
Cross-section PE (power side)	4 - 10 mm ² / AWG 12 - 8
Cross-section PE (signal side)	1 - 2.5 mm ² / AWG 18 - 14
Module frame material	Die-cast zinc
Mating cycles	500
Temperature range	-40 °C...+120 °C
Note	A complete connector must be provided with marking in uppercase and/or lowercase letters

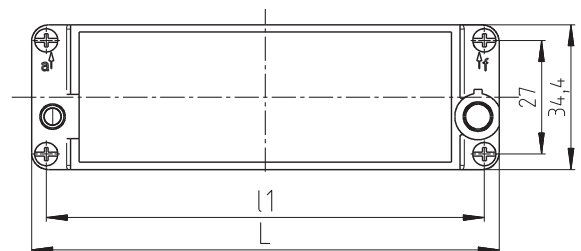
Housing revos BASIC	Type	Page
Size	6H	158, 162, 228-229
Size	10H	166, 170, 228-229
Size	16H	184, 188, 194-197, 200-201, 228-229
Size	24H	204, 208, 214-217

DIMENSIONS

Sizes 6 - 24, A - F
 Sizes 6 - 24, a - f



Type	L	l1
2 slots, housing size 6H	51	44
3 slots, housing size 10H	64	57
4 slots, housing size 16H	84.5	77.5
6 slots, housing size 24H	111	104



REVOS MODULAR 2M · HOUSING



Upper shell holder
without locking lever



Top cable entry



Base with locking lever

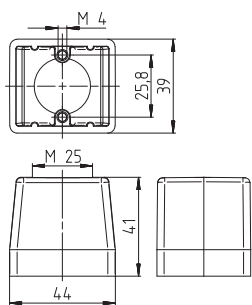


Wall duct

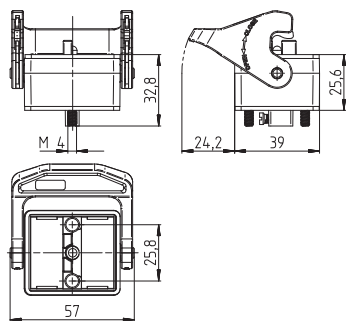
Description	Type	M	Part No.	P.U.
Upper shell		Aluminum housing		
Upper shell holder (without locking lever)	RM2 MC 2MA		78.330.4235.0	5
Top cable entry				
with threaded collar M25	RM2 TS 2M M25T A1	25	78.363.4235.1	5
with threaded collar M32	RM2 TS 2M M32T A1	32	78.364.4235.1	5
Base				
Base with locking lever	RM2 MC L 2MA		78.320.4235.0	5
Wall duct + 3x Strain relief clamp 1 x 3-6 / 2 x 6-9,5	Zinc die-cast housing RM2 MP 2M Z		78.340.4236.0	5
TECHNICAL DATA				
Material	aluminum			
Color	gray			
Locking levers	plastic material			
Seal for base	NBR			
Degree of protection				
with appropriate cable glands	IP65			
Temperature range	-40 °C...+120 °C			
ACCESSORIES		Type		
Cable gland IP 68, plastic material gray	Connection range 7 – 16 mm	25	Z5.507.1553.0	10
Cable gland IP68, nickel-plated brass	Connection range 11 – 18 mm	25	Z5.507.1521.0	10
Cable gland IP 68, plastic material gray	Connection range 15 – 21 mm	32	Z5.507.1753.0	10
Cable gland IP68, nickel-plated brass	Connection range 15 – 21 mm	32	Z5.507.1721.0	10

DIMENSIONS

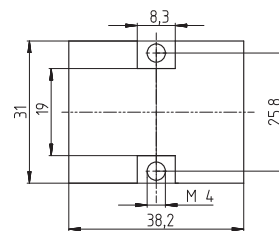
Upper shell



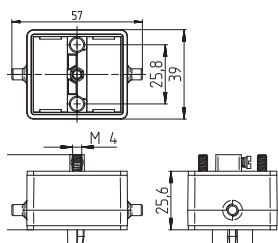
Base



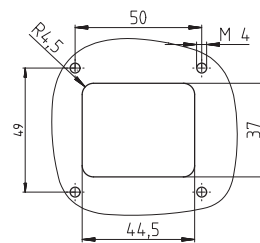
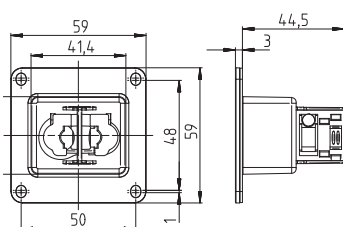
Drilling template



Upper shell holder



Wall duct



REVOS MOT · 690 V PLASTIC CONNECTOR



Hood
Side cable entry



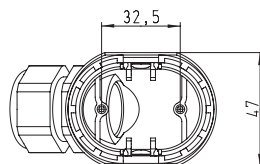
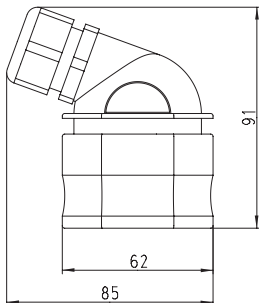
Open-bottom base

Description	Type	Part No.	P.U.
Plastic connector revos^{MOT}			
Hood, side cable entry			
with M25 gland →Ø← 7 – 16 mm	MOT GOT 2 W25 SW P0	75.013.0051.0	10
with threaded bore hole M25	MOT GOT 2 W25 SW P2	75.013.0051.2	10
Bases			
open	MOT GUT 2 O SW P	75.013.5051.0	10
TECHNICAL DATA			
Insulating material	Polyamide		
Flammability class	UL 94 V-0		
Degree of protection	IP65		
Color	black RAL 9005		
Temperature range	-40 °C...+80 °C		
ACCESSORIES			
Crimping tool		Z5.507.1453.1	10
Extraction tool		Z5.507.1553.1	10

DIMENSIONS

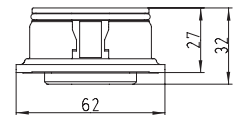
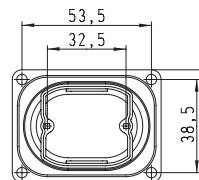
Hood 10-pole + ground

side cable entry



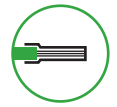
Bases 10-pole + ground

open



REVOS MOT · 690 V CONTACT INSERTS

Crimp connection



Male insert



Female insert

Description	Type	Part No.	P.U.
Contact inserts revos^{MOT}			
10-pole + ground			
Male insert	MOT STC 2 10 69	75.012.5053.0	10
Female insert	MOT BUC 2 10 69	75.012.0053.0	10
Contacts			
	mm ² / AWG		
Male insert	0.5 / 20	05.543.70xx.0	200
Female insert	0.5 / 20	02.123.70xx.0	200
Male insert	0.75 – 1.0 / 18	05.543.71xx.0	200
Female insert	0.75 – 1.0 / 18	02.123.71xx.0	200
Male insert	1.5 / 16	05.543.72xx.0	200
Female insert	1.5 / 16	02.123.72xx.0	200
Male insert	2.5 / 14	05.543.73xx.0	200
Female insert	2.5 / 14	02.123.73xx.0	200
Male insert	4 / 12	05.543.74xx.0	200
Female insert	4 / 12	02.123.74xx.0	200
Surface:	tin-plated xx = 21 / silver-plated xx = 02 / gold-plated xx = 01		
Example:	Female insert, silver-plated, 1.5 mm ² / Part No. 02.123.7202.0		

TECHNICAL DATA

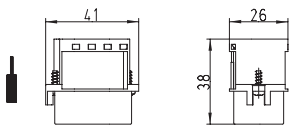
Rated voltage	690 V
Rated voltage according to UL/CSA	600 V
Rated impulse voltage	8 kV
Rated current	16 A
Degree of pollution	3
Insulating material	Polyamid
Flammability class	UL 94 V-0
Color	gray RAL 7035
Temperature range	-40 °C...+80 °C

ACCESSORIES

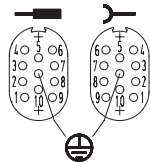
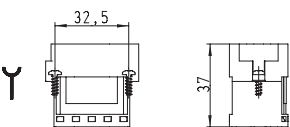
Accessories	Type	Part No.	P.U.
Crimping tool		95.101.0800.0	1
Crimping die	"B"	05.502.2100.0	1
Contact positioner	"3"	05.502.3300.0	1
Extraction tool		05.502.3500.0	1

DIMENSIONS

Male insert

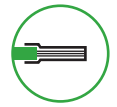


Female insert



REVOS Q · CONTACT INSERTS

Crimp connection



4-/2-pole + ground

Description	Type	Part No.	P.U.
Contact inserts revos Q			
4-/2-pole + ground			
Male insert	Q STC 4/2 40/25	76.810.0656.0	10
Female insert	Q BUC 4/2 40/25	76.800.0656.0	10
Contact			
	mm ² / AWG, turned ø 4 mm		
Male insert, Ag	1.5 / 16	05.546.6221.8	100
Female insert, Ag	1.5 / 16	02.127.3121.8	100
Male insert, Ag	2.5 / 14	05.546.6321.8	100
Female insert, Ag	2.5 / 14	02.127.3221.8	100
Male insert, Ag	4 / 12	05.546.6421.8	100
Female insert, Ag	4 / 12	02.127.3321.8	100
Male insert, Ag	6 / 10	05.546.6521.8	100
Female insert, Ag	6 / 10	02.127.3421.8	100
Contact			
	mm ² / AWG, turned ø 1.6 mm		
Male insert	0.14 – 0.37 / 26 – 22	05.544.4129.x	100
Female insert	0.14 – 0.37 / 26 – 22	02.125.4129.x	100
Male insert	0.5 / 20	05.544.4229.x	100
Female insert	0.5 / 20	02.125.4229.x	100
Male insert	0.75 – 1 / 18	05.544.4329.x	100
Female insert	0.75 – 1 / 18	02.125.4329.x	100
Male insert	1.5 / 16	05.544.4429.x	100
Female insert	1.5 / 16	02.125.4429.x	100
Male insert	2.5 / 14	05.544.4529.x	100
Female insert	2.5 / 14	02.125.4529.x	100
Surface	silver-plated x = 8 / gold-plated x = 7		

TECHNICAL DATA

Signal

Rated voltage	250 V
Rated voltage according to UL	250V
Rated impulse voltage	4 kV
Rated current	10 A

Power

Rated voltage	400/690 V
Rated voltage according to UL	600 V
Rated impulse voltage	6 kV
Rated current	40 A
Degree of pollution	3
Insulation strip length	Signal contacts 8 mm, Power contact 9.5 mm
Contact resistance	Signal contact ≤ 1 mΩ, Power contact ≤ 3 mΩ
Mating cycles	500
Insulating material	Polycarbonate, halogen-free
Flammability class	UL 94 V-0

Screws

Mounting screws	head design / recomb. torque
Temperature range	PH1 / 0.5 Nm
	-40 °C...+120 °C

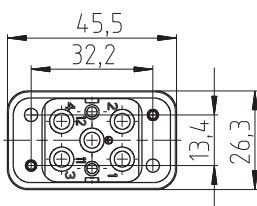
Derating curve

Page 145

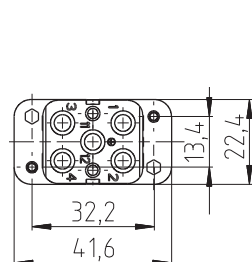
ACCESSORIES	Type	Part No.	P.U.
Crimping tool		95.101.0800.0	1
Crimping die for contacts Ø 4 mm	"H" for cross-section 1.5 and 2.5 mm ²	05.502.5000.0	1
Crimping die for contacts Ø 4 mm	"D" for cross-section 4 and 6 mm ²	05.502.2300.0	1
Contact positioner for contacts Ø 4 mm	"6"	05.502.5200.0	1
Extraction tool for crimp contacts Ø 4 mm	05.502.4400.0	05.502.4400.0	1
Crimping die for contacts Ø 1.6 mm	"B"	05.502.2100.0	1
Contact positioner for contacts Ø 1.6 mm	"1"	05.502.3100.0	1
Extraction tool for crimp contacts Ø 1.6 mm	05.502.0710.0	05.502.0710.0	1

DIMENSIONS

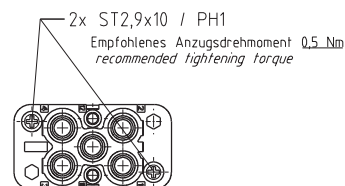
Male insert



Female insert



Pole image



REVOS Q · CONTACT INSERTS

Crimp connection



8-pole + ground

Description	Type	Part No.	P.U.
Contact inserts revos Q			
Male insert	Q STC 8 50	76.810.0856.0	10
Female insert	Q BUC 8 50	76.800.0856.0	10
Contact			
	mm ² / AWG, turned ø 2.5 mm		
Male insert	0.5 / 20	05.543.70xx.0	100
Female insert	0.5 / 20	02.123.70xx.0	100
Male insert	0.75 - 1 / 18	05.543.71xx.0	100
Female insert	0.75 - 1 / 18	02.123.71xx.0	100
Male insert	1.5 / 16	05.543.72xx.0	100
Female insert	1.5 / 16	02.123.72xx.0	100
Male insert	2.5 / 14	05.543.73xx.0	100
Female insert	2.5 / 14	02.123.73xx.0	100
Male insert	4 / 12	05.543.74xx.0	100
Female insert	4 / 12	02.123.74xx.0	100
Surface	silver-plated xx = 02 / gold-plated xx = 01		

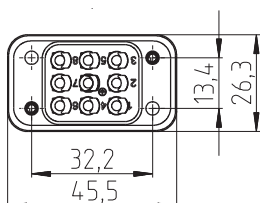
TECHNICAL DATA

Signal	
Rated voltage	500 V
Rated voltage according to UL	500 V
Rated impulse voltage	6 kV
Rated current	16 A
Degree of pollution	3
Insulation strip length	7 mm
Contact resistance	≤ 1.5 mΩ
Mating cycles	500
Insulating material	Polycarbonate, halogen-free
Flammability class	UL 94 V-0
Screws	
Mounting screws	PH1 / 0.5 Nm
Temperature range	-40 °C...+120 °C
Derating curve	Page 145

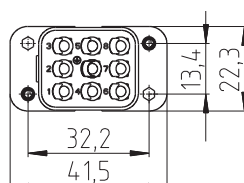
ACCESSORIES	Type	Part No.	P.U.
Coding piece	Q KOD 8	06.563.4556.0	1
Crimping tool		95.101.0800.0	1
Crimping die	„B“	05.502.2100.0	1
Contact positioner	„3“	05.502.3100.0	1
Extraction tool		05.502.3500.0	1

DIMENSIONS

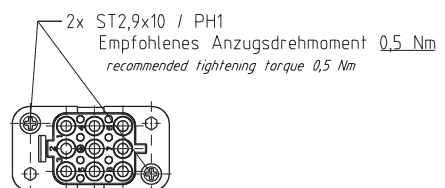
Male insert



Female insert

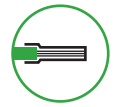


Pole image



REVOS Q · CONTACT INSERTS

Crimp connection



17-pole + ground

Description	Type	Part No.	P.U.
Contact inserts revos Q			
17-pole + ground			
Male insert	Q STC 17 25	76.810.1756.0	10
Female insert	Q BUC 17 25	76.800.1756.0	10
Contact			
	mm ² / AWG, turned ø 1.6 mm		
Male insert	0.14 – 0.37 / 26 – 22	05.544.4129.x	100
Female insert	0.14 – 0.37 / 26 – 22	02.125.4129.x	100
Male insert	0.5 / 20	05.544.4229.x	100
Female insert	0.5 / 20	02.125.4229.x	100
Male insert	0.75 – 1 / 18	05.544.4329.x	100
Female insert	0.75 – 1 / 18	02.125.4329.x	100
Male insert	1.5 / 16	05.544.4429.x	100
Female insert	1.5 / 16	02.125.4429.x	100
Male insert	2.5 / 14	05.544.4529.x	100
Female insert	2.5 / 14	02.125.4529.x	100
Surface	silver-plated x = 8 / gold-plated x = 7		

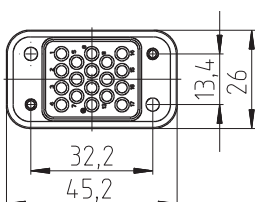
TECHNICAL DATA

Signal	
Rated voltage	250 V
Rated voltage according to UL	250 V
Rated impulse voltage	4 kV
Rated current	10 A
Degree of pollution	3
Insulation strip length	8 mm
Contact resistance	≤ 1 mΩ
Mating cycles	500
Insulating material	Polycarbonate, halogen-free
Flammability class	UL 94 V-0
Screws	
	head design / recomm. torque
Mounting screws	PH1 / 0.5 Nm
Temperature range	-40 °C...+120 °C
Derating curve	Page 145

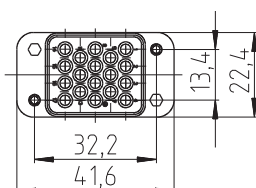
ACCESSORIES	Type	Part No.	P.U.
Crimping tool		95.101.0800.0	1
Crimping die	„B“	05.502.2100.0	1
Contact positioner	„1“	05.502.3100.0	1
Extraction tool		05.502.0710.0	1

DIMENSIONS

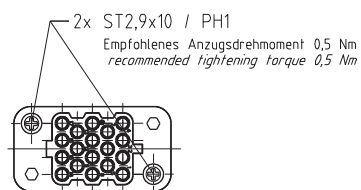
Male insert



Female insert



Pole image



DERATING CURVE

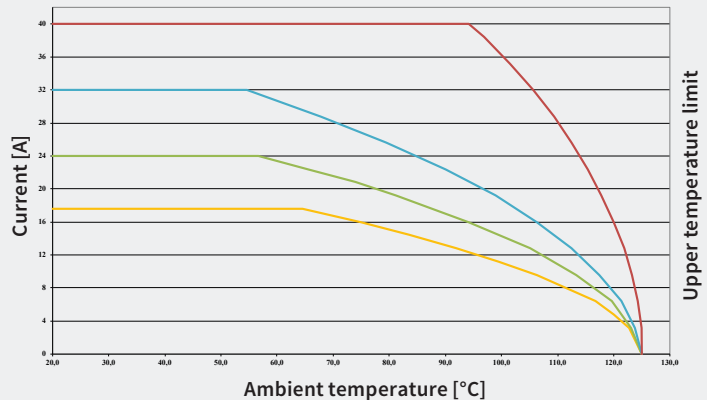
DERATING CURVE

in compliance with DIN EN 60512-5-2

Last updated: 2003-1

revos Q 4-/2-pole + ground
equipped with power contacts

- Contact Ø 1.5 mm², corrected, fine strand, crimp
- Contact Ø 2.5 mm², corrected, fine strand, crimp
- Contact Ø 4.0 mm², corrected, fine strand, crimp
- Contact Ø 6.0 mm², corrected, fine strand, crimp



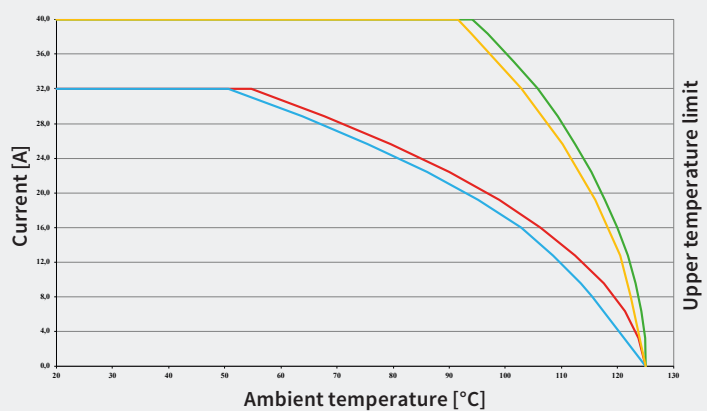
DERATING CURVE

in compliance with DIN EN 60512-5-2

Last updated: 2003-1

revos Q 4-/2-pole + ground
equipped with power and signal contacts

- Contact Ø 4.0 mm², corrected, fine strand, crimp
- Contact Ø 4.0 mm², corrected, fine strand, crimp
signal contacts loaded with 10 A
- Contact Ø 6.0 mm², corrected, fine strand, crimp
- Contact Ø 6.0 mm², corrected, fine strand, crimp
signal contacts loaded with 10 A



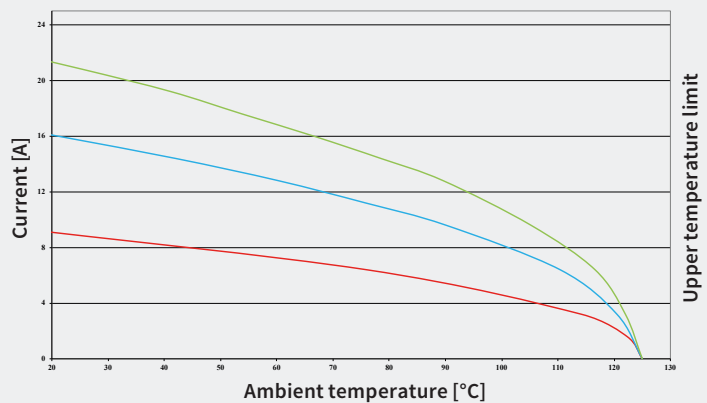
DERATING CURVE

in compliance with DIN EN 60512-5-2

Last updated: 2003-1

revos Q 8-pole + ground

- Contact Ø 0.5 mm², corrected, fine strand, crimp
- Contact Ø 1.5 mm², corrected, fine strand, crimp
- Contact Ø 2.5 mm², corrected, fine strand, crimp



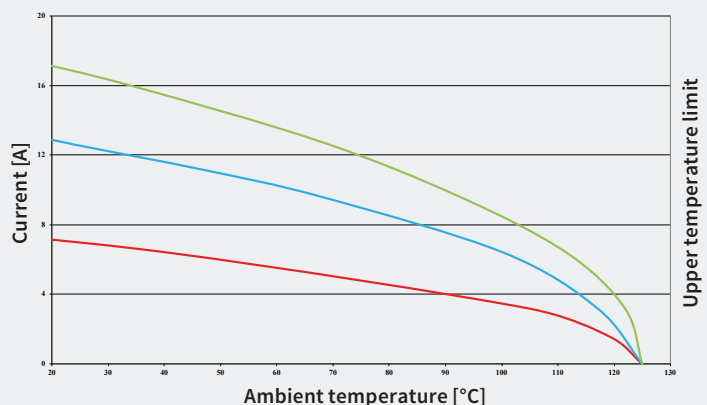
DERATING CURVE

in compliance with DIN EN 60512-5-2

Last updated: 2003-1

revos Q 17-pole + ground

- Contact Ø 0.5 mm², corrected, fine strand, crimp
- Contact Ø 1.5 mm², corrected, fine strand, crimp
- Contact Ø 2.5 mm², corrected, fine strand, crimp



REVOS Q · HOUSING



Hood
Lateral cable entry



Hood
Top cable entry M25



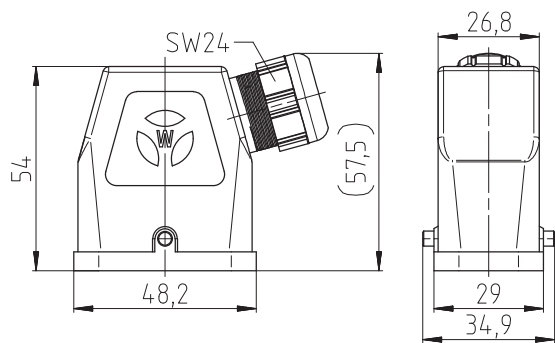
Base open

Description	Type	M	Part No.	P.U.
Hoods				
Side cable entry PG 16				
with cable gland, IP65, $\Rightarrow \varnothing \Leftarrow$ 11,5 – 15,5 mm	Q GOT GA 8 P16 P5	16	76.850.0853.5	10
Top cable entry M25				
with cable gland, IP65, $\Rightarrow \varnothing \Leftarrow$ 7 – 10,5 mm	Q GOT GB 8 M25S P5	25	76.854.0860.4	10
with cable gland, IP65, $\Rightarrow \varnothing \Leftarrow$ 10,5 – 14 mm	Q GOT GB 8 M25M P5	25	76.854.0860.5	10
with cable gland, IP65, $\Rightarrow \varnothing \Leftarrow$ 14 – 17 mm	Q GOT GB 8 M25L P5	25	76.854.0860.6	10
Base				
open	Q GUT GA 8 P		76.820.0860.0	10
TECHNICAL DATA				
Material	PA 66 UL 94-V0			
Color	black			
Locking levers	Plastic			
Gasket for base of housing	NBR			
Degree of protection				
with appropriate cable glands	IP66			
Temperature range	-40 °C...+120 °C			

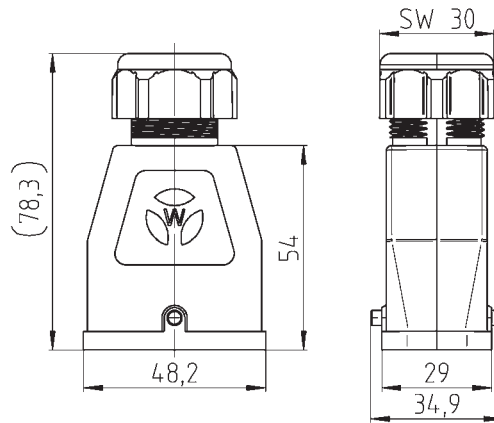
DIMENSIONS

Hood

Lateral cable entry

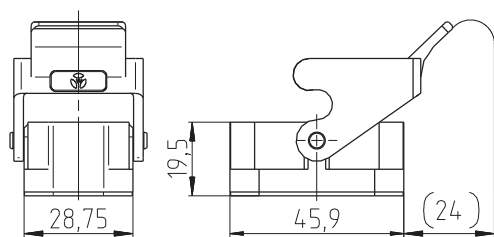


Top cable entry M25

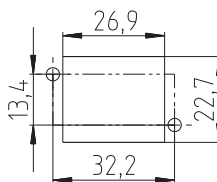


Base

open



Drilling template



REVOS HOUSING SERIES

The revos housing components for heavy connectors consist of high-quality plastic, die-cast aluminum or die-cast zinc. Wieland has designed the housings so that they are corrosion-resistant, waterproof and dust-tight and can be used under the harshest environmental conditions.

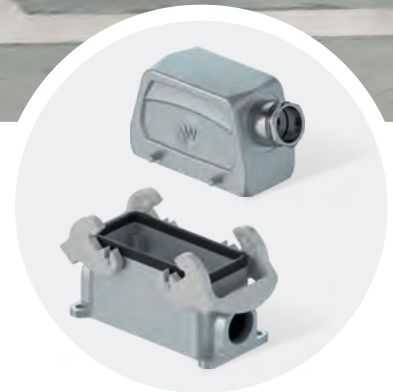
- ▶ Housings are available in low and high designs
- ▶ Cable outlet sideways or from above
- ▶ Housing bases, open or closed
- ▶ Single or double locking lever in plastic, steel or stainless steel
- ▶ Coupling housing for "on-the-fly connections"



REVOS MINI

Small design – for use in confined spaces, in applications for machine, control and switchgear construction, on small motors and in lighting technology for example.

- Housing height 3
- Die-cast zinc and polyamide
- Single locking lever



REVOS BASIC

Classic design – meets the toughest requirements and is used in all applications in mechanical and plant engineering.

- Housing sizes 6, 10, 16, 24, 32, 48
- Die-cast aluminum with powder-coated surface
- Single and double locking lever



REVOS BASIC M

Designed specifically to meet tightened environmental requirements.

- Housing sizes 6, 10, 16, 24
- Stainless steel bar and pin
- Chemical-resistant seal
- Single locking lever



REVOS HD

The high-pole specialist in harsh environments.

- Housing sizes 10/15, 16/25, 32/50
- Single and double locking lever



REVOS Ex

The extra protection design – designed specifically for use in potentially explosive areas such as mines.

- Housing sizes 6, 10, 16, 24, 48
- Die-cast zinc
- Single locking lever (sizes 6 and 48) and double locking lever (sizes 10, 16 and 24)

REVOS MINI · HOODS

Plastic housings



Lateral cable entry



Top cable entry



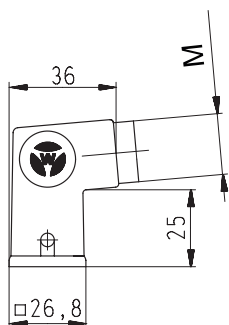
for cable-to-cable couplings

Description	Type	M	Part No.	P.U.
Hoods				
Plastic housings for revos MINI				
Lateral cable entry M20				
with threaded collar	MIN GOT GA 7 M20 25 P1	20	76.350.0760.1	10
with cable gland, IP68, $\Rightarrow \varnothing \leftarrow 6 - 12 \text{ mm}$	MIN GOT GA 7 M20 25 P5	20	76.350.0760.5	10
Top cable entry M20				
with cable gland, IP54, $\Rightarrow \varnothing \leftarrow 3 - 13.5 \text{ mm}$	MIN GOT GB 7 M20 25 P0	20	76.352.0760.0	10
with threaded collar	MIN GOT GB 7 M20 25 P1	20	76.352.0760.1	10
with cable gland, IP68	MIN GOT GB 7 M20 25 P5	20	76.352.0760.5	10
for cable-to-cable couplings M20				
with threaded collar	MIN GOT GC 7 M20 25 P1	20	76.372.0760.1	10
with cable gland, IP68, $\Rightarrow \varnothing \leftarrow 6 - 12 \text{ mm}$	MIN GOT GC 7 M20 25 P5	20	76.372.0760.5	10
TECHNICAL DATA				
Material	plastic Polyamide			
Surface	-			
Locking levers	zinc-plated steel			
Gasket	NBR			
Degree of protection				
with latched locking levers	IP54			
with appropriate cable glands	IP65			
Temperature range	-40 °C...+120 °C			
ACCESSORIES / Description				
Cover without gasket for male insert				
Plastic material, gray	MIN AD DA 7 P		07.417.6753.0	10
Cover with gasket for female insert				
Plastic material, gray	MIN AD DB 7 P		07.417.6853.0	10
Contact inserts see the product matrix			Page 26–27	

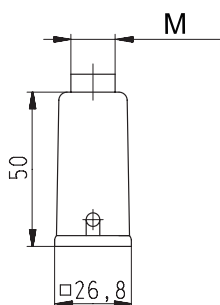
DIMENSIONS

Hoods

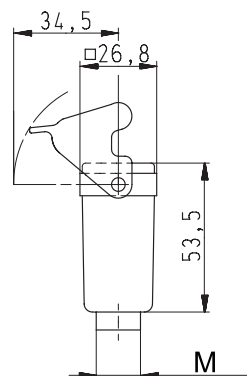
Lateral cable entry



Top cable entry



for cable-to-cable couplings



REVOS MINI · BASES

Plastic housings



open



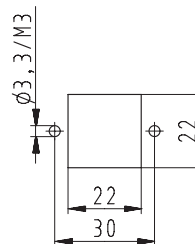
open, angled



closed

Description	Type	M	Part No.	P.U.
Bases				
Plastic housings for revos MINI				
open	MIN GUT GA 7 25 P		76.320.0753.0	10
open, angled	MIN GUT GB 7 25 P		76.321.0753.0	10
closed M20				
with cable gland, IP68, →IØ ← 6 – 12 mm	MIN GUT GC 7 M20 25 P5 20		76.322.0760.5	10
TECHNICAL DATA				
Material	plastic Polyamide			
Surface	-			
Locking levers	zinc-plated steel			
Gasket	NBR			
Degree of protection				
with latched locking levers	IP54			
with appropriate cable glands	IP65			
Temperature range	-40 °C...+120 °C			
ACCESSORIES / Description				
Cover without gasket for male insert				
Plastic material, gray	MIN AD DA 7 P		07.417.6753.0	10
Cover with gasket for female insert				
Plastic material, gray	MIN AD DB 7 P		07.417.6853.0	10
Contact inserts see the product matrix				Page 26–27

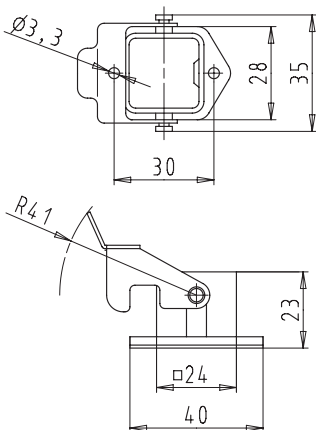
Drilling Template



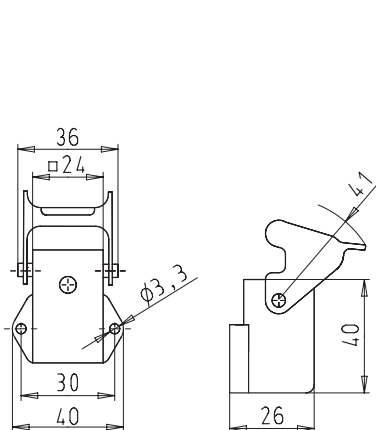
DIMENSIONS

Bases

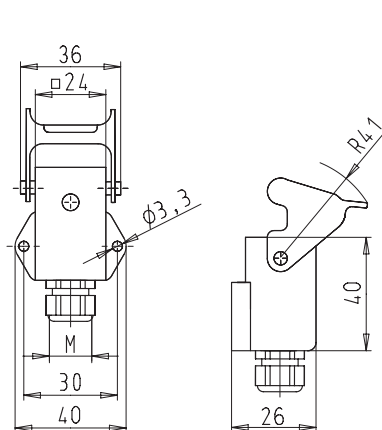
open



open, angled

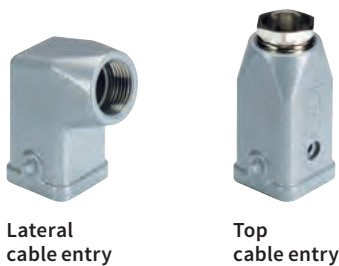


closed



REVOS MINI · HOODS

Metal housings



Lateral cable entry

Top cable entry



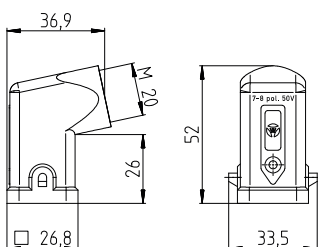
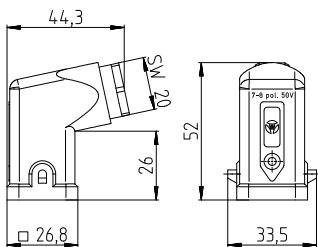
for cable-to-cable couplings

Description	Type	M	Part No.	P.U.
Hoods				
Metal housings for revos MINI				
Lateral cable entry M20				
with cable gland, IP54, $\rightarrow \text{Ø} \leftarrow 3 - 13.5 \text{ mm}$	MIN GOT GA 7 M20 25 Z0	20	76.350.0736.0	10
with threaded collar	MIN GOT GA 7 M20 25 Z1	20	76.350.0736.1	10
Top cable entry M20				
with cable gland, IP54, $\rightarrow \text{Ø} \leftarrow 3 - 13.5 \text{ mm}$	MIN GOT GB 7 M20 25 Z0	20	76.352.0736.0	10
with threaded collar	MIN GOT GB 7 M20 25 Z1	20	76.352.0736.1	10
for cable-to-cable couplings M20				
with cable gland, IP54, $\rightarrow \text{Ø} \leftarrow 3 - 13.5 \text{ mm}$	MIN GOT GC 7 M20 25 Z0	20	76.372.0736.0	10
with threaded collar	MIN GOT GC 7 M20 25 Z1	20	76.372.0736.1	10
Hoods, increased height design				
Top cable entry M20				
with cable gland, IP54, $\rightarrow \text{Ø} \leftarrow 7.5 - 19 \text{ mm}$	MIN GOT GB7H M20 25 Z0	20	76.362.0736.0	1
with threaded collar	MIN GOT GB7H M20 25 Z1	20	76.362.0736.1	1
with cable gland, IP68, $\rightarrow \text{Ø} \leftarrow 6 - 12 \text{ mm}$	MIN GOT GB7H M20 25 Z5	20	76.362.0736.5	1
TECHNICAL DATA				
Material	metal Die cast zinc alloy			
Surface	silicon-free			
Locking levers	zinc-plated steel			
Gasket	NBR			
Degree of protection				
with latched locking levers	IP54			
with appropriate cable glands	IP66 & IP68 (1m/10h)			
Temperature range	-40 °C...+120 °C			
ACCESSORIES / Description				
Cover without gasket for male insert				
Metal, nickel-plated	MIN AD DA 7 Z		07.417.6729.0	10
Cover with gasket for female insert				
Metal, nickel-plated	MIN AD DB 7 Z		07.417.6829.0	10
Contact inserts see the product matrix				
Page 26–27				

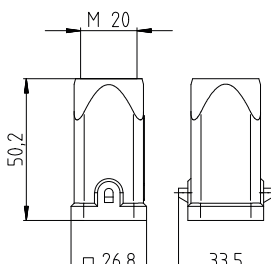
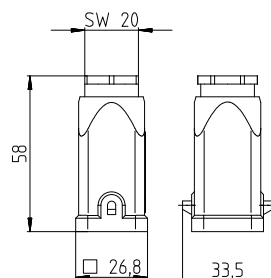
DIMENSIONS

Hoods

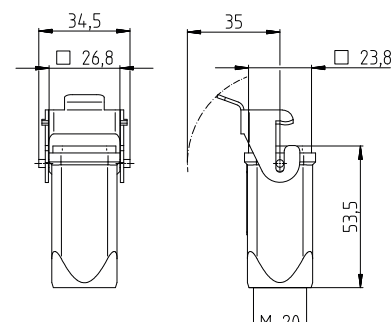
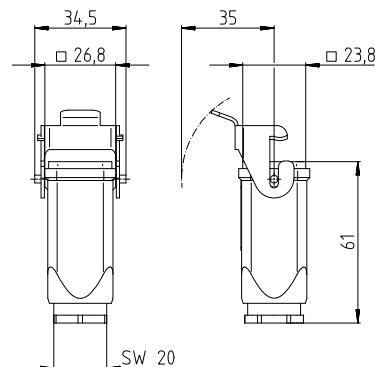
Lateral cable entry



Top cable entry



for cable-to-cable couplings



Increased height design, top cable entry

REVOS MINI · BASES

Metal housings



open



open, angled



closed

Description	Type	M	Part No.	P.U.
Bases				
Metal housings for revos MINI				
open	MIN GUT GA 7 25 Z		76.320.0729.0	10
open, angled	MIN GUT GB 7 25 Z		76.321.0729.0	10
closed M20				
with cable gland, IP54, $\rightarrow \text{Ø} \leftarrow 3 - 14.5 \text{ mm}$	MIN GUT GC 7 M20 25 Z0	20	76.322.0736.0	10
with threaded collar	MIN GUT GC 7 M20 25 Z1	20	76.322.0736.1	10

TECHNICAL DATA

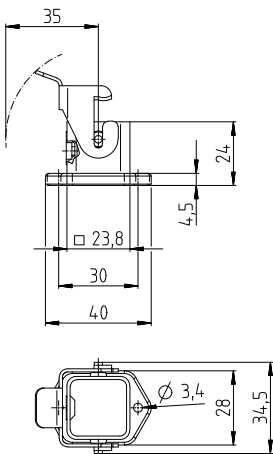
Material	metal
	Die cast zinc alloy
Surface	silicon-free
Locking levers	zinc-plated steel
Gasket	NBR
Degree of protection	
with latched locking levers	IP54
with appropriate cable glands	IP66
Temperature range	-40 °C...+120 °C

ACCESSORIES / Description	Type	Part No.	P.U.
Cover without gasket for male insert			
Metal, nickel-plated	MIN AD DA 7 Z	07.417.6729.0	10
Cover with gasket for female insert			
Metal, nickel-plated	MIN AD DB 7 Z	07.417.6829.0	10
Contact inserts see the product matrix			Page 26-27

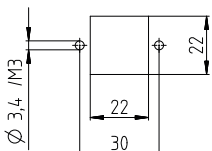
DIMENSIONS

Bases

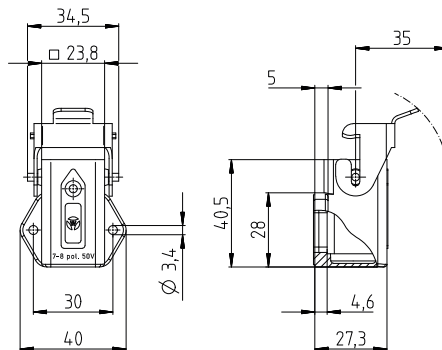
open



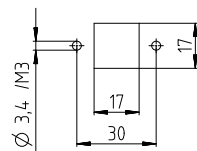
Drilling Template



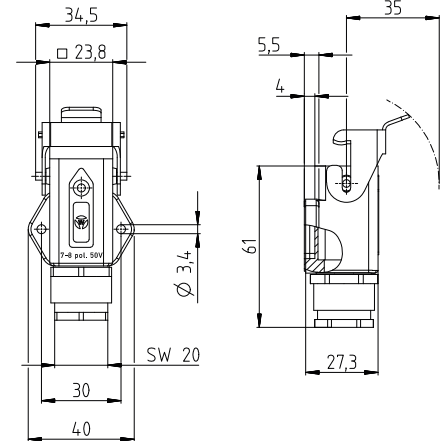
open, angled



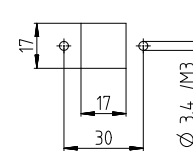
Drilling Template



closed



Drilling Template



REVOS MINI · HOODS

Metal housings Screw lock



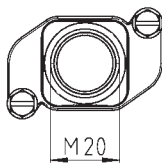
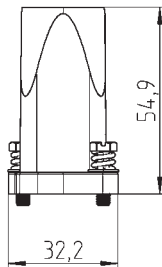
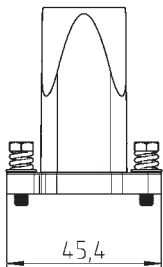
Top cable entry

Description	Type	M	Part No.	P.U.
Hoods	Aluminum housing			
Top cable entry M20				
with threaded collar	MIN GOM GD 7 M20 Z1	20	76.452.0736.1	5
Top cable entry M25				
with threaded collar	MIN GOM GD 7 M25 Z1	20	76.454.0736.1	5
TECHNICAL DATA				
Material	Die cast aluminum alloy			
Surface	silicon-free			
Locking levers at multipole connectors	Screw plug			
Gasket at multipole connectors	NBR			
Degree of protection				
with appropriate cable glands	IP69k			
Temperature range	-40 °C...+120 °C			
ACCESSORIES / Description	Type	M	Part No.	P.U.
Cable gland IP68, nickel-plated brass	Connection range 8 – 13 mm	20	Z5.507.1321.0	10
Cable gland IP68, nickel-plated brass	Connection range 11 – 18 mm	25	Z5.507.1521.0	10
Cable gland IP69k, nickel-plated brass	Connection range 6 – 12 mm	20	Z5.505.7121.0	10
Contact inserts see the product matrix			Page 26–27	

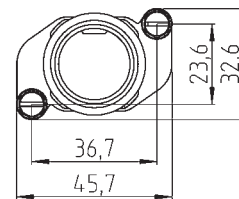
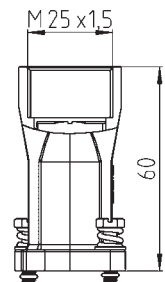
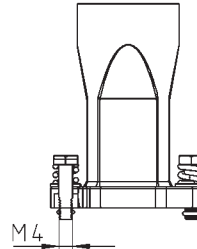
DIMENSIONS

Hoods

Top cable entry M20

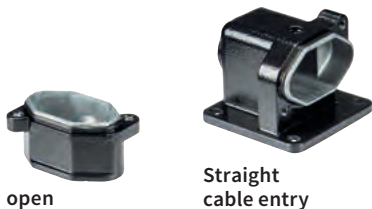


Top cable entry M25



REVOS MINI · BASES

Metal housings Screw lock



open

Straight cable entry



Cover

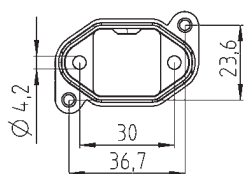
Cover with tether cord and loop

Description	Type	M	Part No.	P.U.
Bases	Aluminum housing			
open	MIN GUM GD 7 Z		76.420.0736.0	5
straight cable entry, with closed bottom	MIN GUM GF 7 M20 Z1	20	76.422.0736.1	5
TECHNICAL DATA				
Material	Die cast aluminum alloy			
Surface	silicon-free			
Locking levers at multipole connectors	Screw plug			
Gasket at multipole connectors	NBR			
Degree of protection				
with appropriate cable glands	IP69k			
Temperature range	-40 °C...+120 °C			
ACCESSORIES / Description				
Cover for housing bases	MIN AD DC Z		Z7.432.6136.0	5
Cover for housing bases with tether cord and loop	MIN AD DC FS Z		Z7.432.6236.0	5
Contact inserts see the product matrix			Page 26–27	

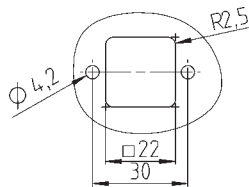
DIMENSIONS

Bases

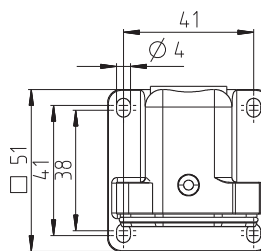
open



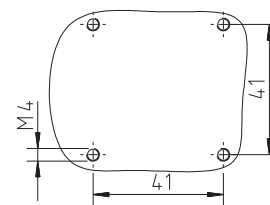
Drilling template



straight cable entry

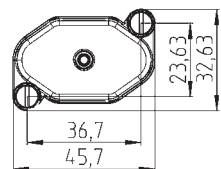
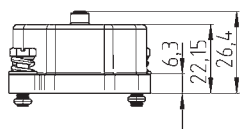


Drilling template

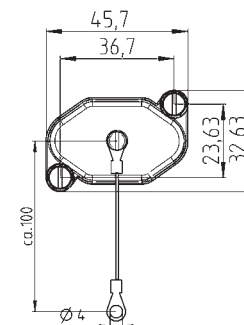
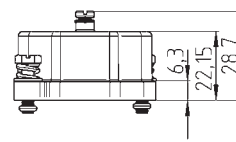


Accessories

Cover



Cover with thethercord and loop



REVOS BASIC · HOODS

Size 6, single locking lever



Lateral cable entry



Top cable entry



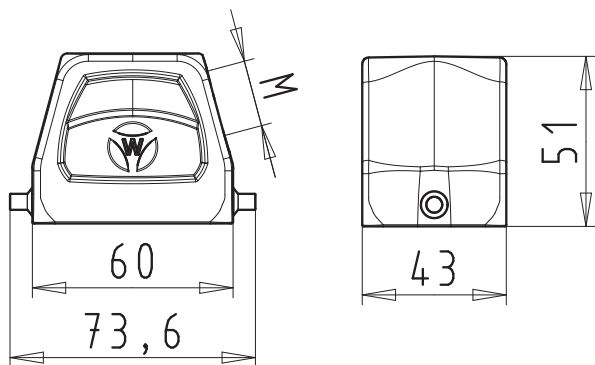
Multipole connectors for cable-to-cable couplings

Description	Type	M	Part No.	P.U.
Hoods, size 6				
Aluminum housing				
Lateral cable entry M20				
with cable gland, IP54, $\rightarrow \varnothing \leftarrow 4 - 13$ mm	BAS GOT GG 6 M20 A0	20	70.350.0635.0	1
with threaded collar	BAS GOT GG 6 M20 A1	20	70.350.0635.1	1
Lateral cable entry M25				
with cable gland, IP54, $\rightarrow \varnothing \leftarrow 8.5 - 17.5$ mm	BAS GOT GG 6 M25 A0	25	70.353.0635.0	1
with threaded collar	BAS GOT GG 6 M25 A1	25	70.353.0635.1	1
Top cable entry M20				
with cable gland, IP54, $\rightarrow \varnothing \leftarrow 3 - 14.5$ mm	BAS GOT GI 6 M20 A0	20	70.352.0635.0	1
with threaded collar	BAS GOT GI 6 M20 A1	20	70.352.0635.1	1
Top cable entry M25				
with cable gland, IP54, $\rightarrow \varnothing \leftarrow 8.5 - 17.5$ mm	BAS GOT GI 6 M25 A0	25	70.354.0635.0	1
with threaded collar	BAS GOT GI 6 M25 A1	25	70.354.0635.1	1
Multipole connectors for cable-to-cable couplings M20				
with cable gland, IP54, $\rightarrow \varnothing \leftarrow 4 - 13$ mm	BAS GOT GI 6 M20 A0	20	70.352.0635.0	1
with cable gland, IP54, $\rightarrow \varnothing \leftarrow 4 - 13$ mm Locking levers and gasket	BAS GOT GL 6 M20 A0	20	70.372.0635.0	1
with threaded collar	BAS GOT GI 6 M20 A1	20	70.352.0635.1	1
with threaded collar Locking levers and gasket	BAS GOT GL 6 M20 A1	20	70.372.0635.1	1
TECHNICAL DATA				
Material	Die cast aluminum alloy			
Surface	silicon-free/-			
Locking levers at Multipole connectors	Handle: Polyamide, UL94-V0; stainless steel: V2A			
Gasket at Multipole connectors	NBR			
Degree of protection				
with latched locking levers	IP54			
with appropriate cable glands	IP65			
Temperature range	-40 °C...+120 °C			
ACCESSORIES / Description				
Cable gland IP68, plastic material, gray	Connection range 6 – 12 mm	20	Z5.507.1353.0	10
Cable gland IP68, nickel-plated brass	Connection range 8 – 13 mm	20	Z5.507.1321.0	10
Cable gland IP68, plastic material, gray	Connection range 7 – 16 mm	25	Z5.507.1553.0	10
Cable gland IP68, nickel-plated brass	Connection range 11 – 18 mm	25	Z5.507.1521.0	10
Strain relief IP54, nickel-plated brass	Connection range 6 – 13.5 mm	20	Z5.507.9621.0	10
Strain relief IP54, nickel-plated brass	Connection range 9 – 20 mm	25	Z5.507.9721.0	10
Contact inserts see the product matrix			Page 26–27	

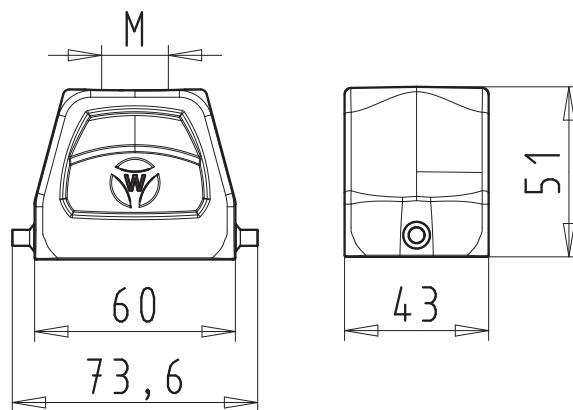
DIMENSIONS

Hoods

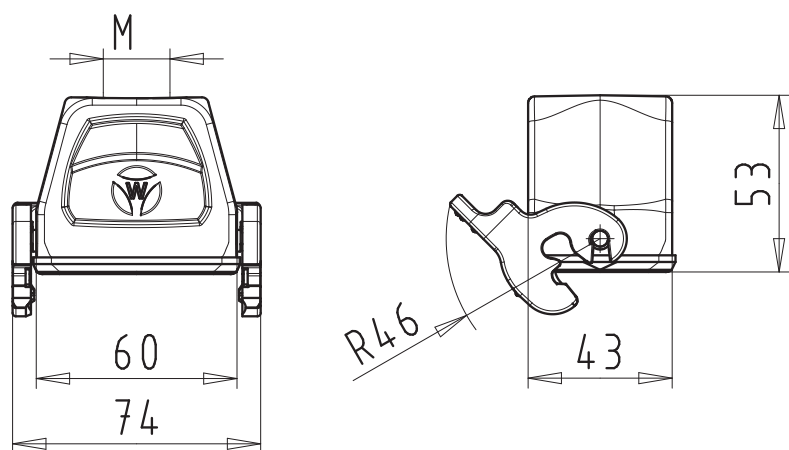
Lateral cable entry



Top cable entry



Multipole connectors for cable-to-cable couplings



REVOS BASIC · HOODS

Size 6H, increased height design, single locking lever



Lateral cable entry



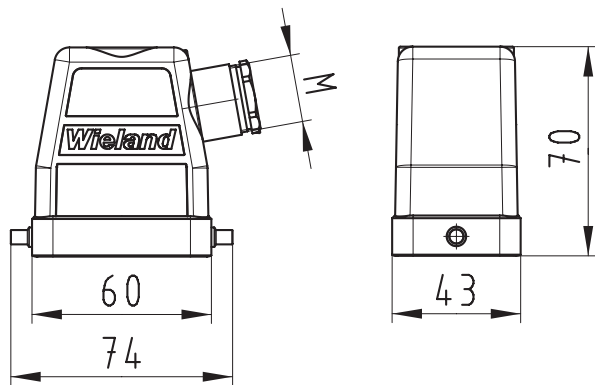
Top cable entry

Description	Type	M	Part No.	P.U.
Hoods, size 6H		Aluminum housing		
Lateral cable entry M25				
with cable gland, IP54, $\rightarrow \text{Ø} \leftarrow$ 8.5 – 17.5 mm	BAS GOT GG 6H M25 A0	25	73.350.0635.0	1
with threaded collar	BAS GOT GG 6H M25 A1	25	73.350.0635.1	1
Lateral cable entry M32				
with cable gland, IP54, $\rightarrow \text{Ø} \leftarrow$ 16 – 25 mm	BAS GOT GG 6H M32 A0	32	73.353.0635.0	1
with threaded collar	BAS GOT GG 6H M32 A1	32	73.353.0635.1	1
Top cable entry M25				
with cable gland, IP54, $\rightarrow \text{Ø} \leftarrow$ 8.5 – 17.5 mm	BAS GOT GI 6H M25 A0	25	73.352.0635.0	1
with threaded collar	BAS GOT GI 6H M25 A1	25	73.352.0635.1	1
Top cable entry M32				
with cable gland, IP54, $\rightarrow \text{Ø} \leftarrow$ 16 – 25 mm	BAS GOT GI 6H M32 A0	25	73.354.0635.0	
with threaded collar	BAS GOT GI 6H M32 A1	25	73.354.0635.1	
TECHNICAL DATA				
Material	Die cast aluminum alloy			
Surface	silicon-free/-			
Locking levers at multipole connectors	-			
Gasket at multipole connectors	-			
Degree of protection				
with latched locking levers	IP54			
with appropriate cable glands	IP65			
Temperature range	-40 °C...+120 °C			
ACCESSORIES / Description				
Cable gland IP68, plastic material, gray	Connection range 6 – 12 mm	20	Z5.507.1353.0	10
Cable gland IP68, plastic material, gray	Connection range 8 – 13 mm	20	Z5.507.1321.0	10
Cable gland IP68, plastic material, gray	Connection range 7 – 16 mm	25	Z5.507.1553.0	10
Cable gland IP68, nickel-plated brass	Connection range 11 – 18 mm	25	Z5.507.1521.0	10
Cable gland IP68, plastic material, gray	Connection range 15 – 21 mm	32	Z5.507.1753.0	10
Cable gland IP68, nickel-plated brass	Connection range 15 – 21 mm	32	Z5.507.1721.0	10
Strain relief IP54, nickel-plated brass	Connection range 9 – 13.5 mm	20	Z5.507.9621.0	10
Strain relief IP54, nickel-plated brass	Connection range 14 – 20 mm	25	Z5.507.9721.0	10
Strain relief IP54, nickel-plated brass	Connection range 19 – 29 mm	32	Z5.507.9821.0	10
Contact inserts see the product matrix			Page 26–27	

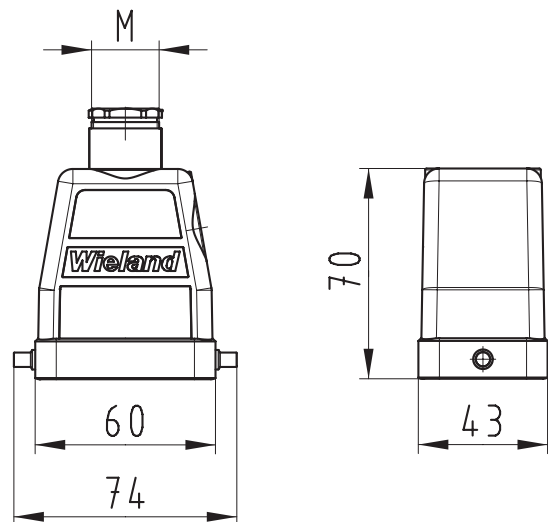
DIMENSIONS

Hoods

Lateral cable entry,
with cable gland IP54



Top cable entry,
with cable gland IP54



REVOS BASIC · BASES

Size 6, single locking lever



open, with or without cover



closed, with or without cover,
1 cable gland



closed, with or without cover,
1 cable gland, bottom

Description	Type	M	Part No.	P.U.
500 V Bases, size 6				
Open-bottom base				
without cover				
with cable gland, IP54, $\rightarrow \leftarrow$ 4 – 13 mm	BAS GUT GK 6 A		70.320.0628.0	1
with cover	BAS GUT GP 6 A		70.325.0628.0	1
Closed-bottom base				
2 cable entries, 2 x M20				
without cover				
with cable gland, IP54, $\rightarrow \leftarrow$ 4 – 13 mm	BAS GUT GL 6 M20 A0	20	70.330.0635.0	1
with threaded collar	BAS GUT GL 6 M20 A1	20	70.330.0635.1	1
with cover				
with cable gland, IP54, $\rightarrow \leftarrow$ 4 – 13 mm	BAS GUT GR 6 M20 A0	20	70.340.0635.0	1
with threaded collar	BAS GUT GR 6 M20 A1	20	70.340.0635.1	1
2 cable entries, 2 x M25				
without cover				
with cable gland, IP54, $\rightarrow \leftarrow$ 8.5 – 17.5 mm	BAS GUT GL 6 M25 A0	25	70.334.0635.0	1
with threaded collar	BAS GUT GL 6 M25 A1	25	70.334.0635.1	1
1 cable entry, left, 1 x M20				
without cover				
with cable gland, IP54, $\rightarrow \leftarrow$ 4 – 13 mm	BAS GUT GM 6 M20 A0	20	70.331.0635.0	1
with threaded collar	BAS GUT GM 6 M20 A1	20	70.331.0635.1	1
with cover				
with cable gland, IP54, $\rightarrow \leftarrow$ 4 – 13 mm	BAS GUT GS 6 M20 A0	20	70.341.0635.0	1
with threaded collar	BAS GUT GS 6 M20 A1	20	70.341.0635.1	1
1 cable entry, left, 1 x M25				
without cover				
with cable gland, IP54, $\rightarrow \leftarrow$ 8.5 – 17.5 mm	BAS GUT GM 6 M25 A0	25	70.335.0635.0	1
with threaded collar	BAS GUT GM 6 M25 A1	25	70.335.0635.1	1
1 cable entry, right, 1 x M20				
without cover				
with cable gland, IP54, $\rightarrow \leftarrow$ 4 – 13 mm	BAS GUT GN 6 M20 A0	20	70.332.0635.0	1
with threaded collar	BAS GUT GN 6 M20 A1	20	70.332.0635.1	1
with cover				
with cable gland, IP54, $\rightarrow \leftarrow$ 4 – 13 mm	BAS GUT GT 6 M20 A0	20	70.342.0635.0	1
with threaded collar	BAS GUT GT 6 M20 A1	20	70.342.0635.1	1
1 cable entry, right, 1 x M25				
without cover				
with cable gland, IP54, $\rightarrow \leftarrow$ 8.5 – 17.5 mm	BAS GUT GN 6 M25 A0	25	70.336.0635.0	1
with threaded collar	BAS GUT GN 6 M25 A1	25	70.336.0635.1	1
1 cable entry, bottom, 1 x M20				
without cover				
with cable gland, IP54, $\rightarrow \leftarrow$ 4 – 13 mm	BAS GUT GO 6 M20 A0	20	70.333.0635.0	1
with threaded collar	BAS GUT GO 6 M20 A1	20	70.333.0635.1	1
with cover				
with cable gland, IP54, $\rightarrow \leftarrow$ 4 – 13 mm	BAS GUT GU 6 M20 A0	20	70.343.0635.0	1
with threaded collar	BAS GUT GU 6 M20 A1	20	70.343.0635.1	1
1 cable entry, bottom, 1 x M25				
without cover				
with cable gland, IP54, $\rightarrow \leftarrow$ 8.5 – 17.5 mm	BAS GUT GO 6 M25 A0	25	70.337.0635.0	1
with threaded collar	BAS GUT GO 6 M25 A1	25	70.337.0635.1	1

TECHNICAL DATA

Material	Die cast aluminum alloy
Surface	silicon-free
Locking levers	Handle: Polyamide, UL94-V0; stainless steel: V2A
Gasket	NBR
Degree of protection	
with latched locking levers	IP54
with appropriate cable glands	IP65
Temperature range	-40 °C...+120 °C

ACCESSORIES / Description	Type	M	Part No.	P.U.
Cable gland IP68, plastic material, gray	Connection range 6 – 12 mm	20	Z5.507.1353.0	10
Cable gland IP68, plastic material, gray	Connection range 8 – 13 mm	20	Z5.507.1321.0	10
Cable gland IP68, plastic material, gray	Connection range 7 – 16 mm	25	Z5.507.1553.0	10
Cable gland IP68, nickel-plated brass	Connection range 11 – 18 mm	25	Z5.507.1521.0	10

Contact inserts see the product matrix

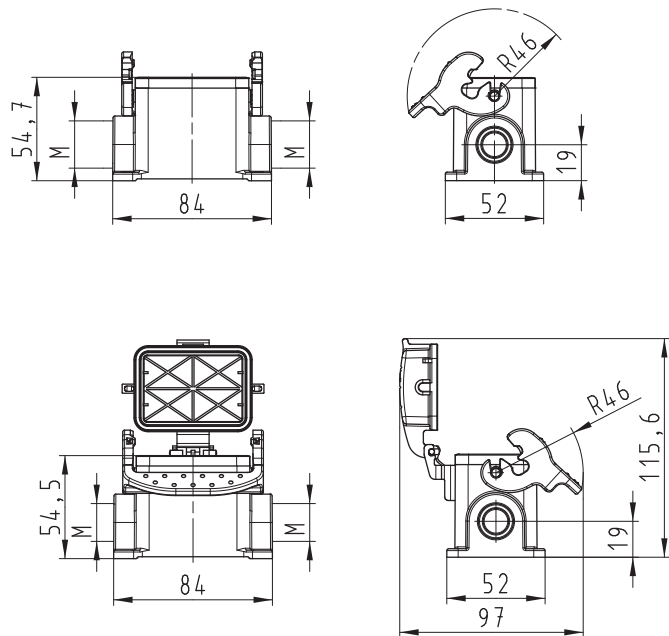
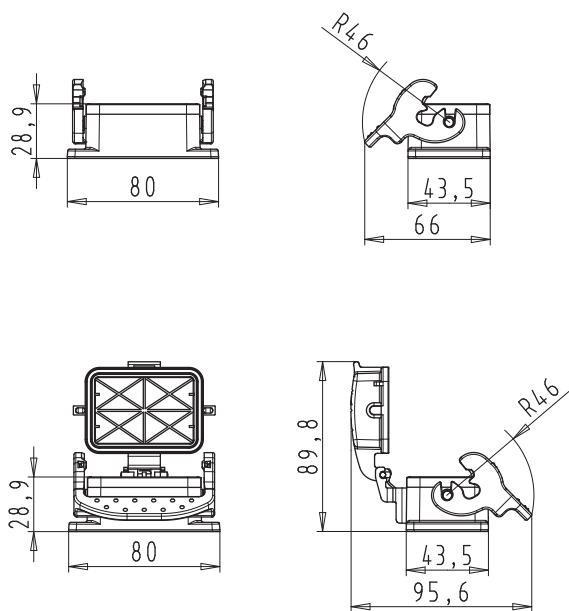
Page 26–27

DIMENSIONS

Bases

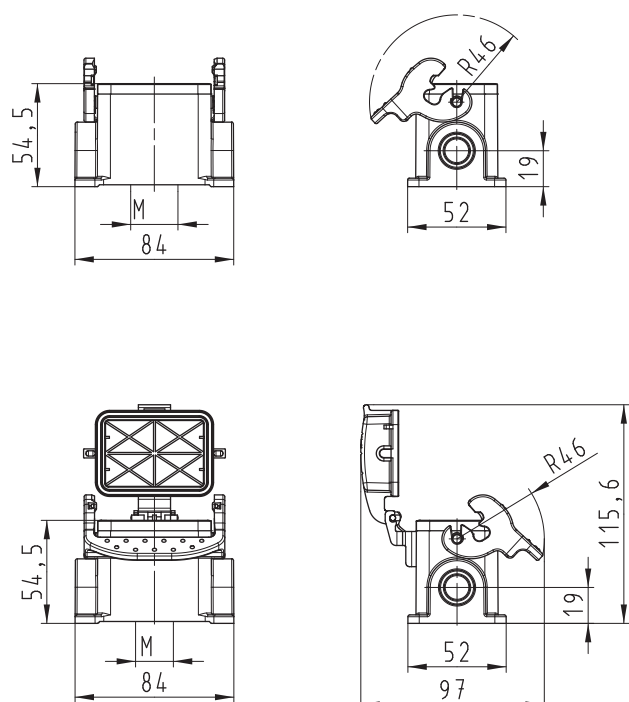
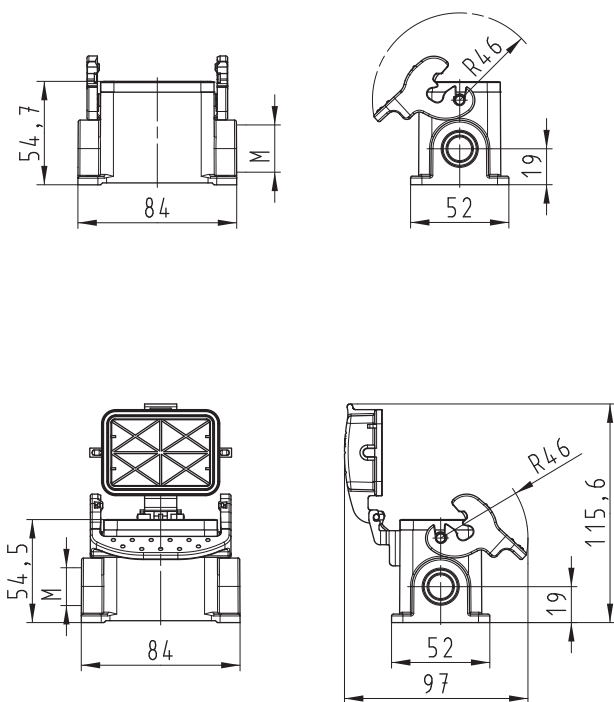
open

closed, 2 cable glands



closed, 1 cable gland

closed, 1 cable gland, bottom



REVOS BASIC · BASES

Size 6H, increased height design, single locking lever



closed M25
2 cable glands



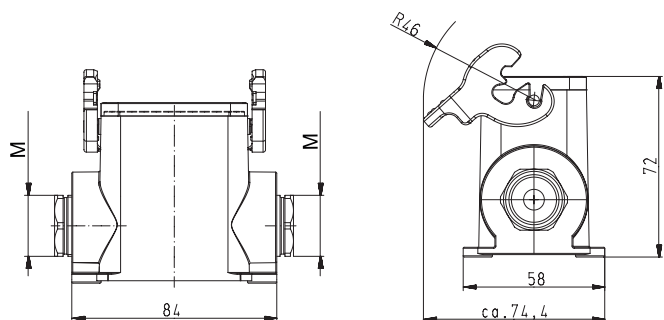
closed M32
2 cable glands

Description	Type	M	Part No.	P.U.
Bases, size 6H	Aluminum housing			
Closed-bottom base				
2 cable entries, 2 x M25				
without cover				
with cable gland, IP54, $\rightarrow \varnothing \leftarrow$ 8.5 – 17.5 mm	BAS GUT GL 6H M25 A0	25	73.330.0635.0	1
with threaded collar	BAS GUT GL 6H M25 A1	25	73.330.0635.1	1
with cover				
with cable gland, IP54, $\rightarrow \varnothing \leftarrow$ 8.5 – 17.5 mm	BAS GUT GR 6H M25 A0	25	73.340.0635.0	1
with threaded collar	BAS GUT GR 6H M25 A1	25	73.340.0635.1	1
2 cable entries, 2 x M32				
without cover				
with cable gland, IP54, $\rightarrow \varnothing \leftarrow$ 16 – 25 mm	BAS GUT GL 6H M32 A0	32	73.334.0635.0	1
with threaded collar	BAS GUT GL 6H M32 A1	32	73.334.0635.1	1
with cover				
with threaded collar	BAS GUT GR 6H M32 A1	32	73.344.0635.1	1
1 cable entry, left, 1 x M25				
without cover				
with cable gland, IP54, $\rightarrow \varnothing \leftarrow$ 8.5 – 17.5 mm	BAS GUT GM 6H M25 A0	25	73.331.0635.0	1
with threaded collar	BAS GUT GM 6H M25 A1	25	73.331.0635.1	1
with cover				
with cable gland, IP54, $\rightarrow \varnothing \leftarrow$ 8.5 – 17.5 mm	BAS GUT GS 6H M25 A0	25	73.341.0635.0	1
with threaded collar	BAS GUT GS 6H M25 A1	25	73.341.0635.1	1
1 cable entry, left, 1 x M32				
without cover				
with threaded collar	BAS GUT GM 6H M32 A1	32	73.335.0635.1	1
with cover				
with threaded collar	BAS GUT GS 6H M32 A1	32	73.345.0635.1	1
1 cable entry, right, 1 x M25				
with cover				
with cable gland, IP54, $\rightarrow \varnothing \leftarrow$ 8.5 – 17.5 mm	BAS GUT GT 6H M25 A0	25	73.342.0635.0	1
with threaded collar	BAS GUT GT 6H M25 A1	25	73.342.0635.1	1
1 cable entry, right, 1 x M32				
with cover				
with threaded collar	BAS GUT GT 6H M32 A1	32	73.346.0635.1	1
TECHNICAL DATA				
Material	Die cast aluminum alloy			
Surface	silicon-free			
Locking levers	Handle: Polyamide, UL94-V0; stainless steel: V2A			
Gasket	NBR			
Degree of protection				
with latched locking levers	IP54			
with appropriate cable glands	IP65			
Temperature range	-40 °C...+120 °C			
ACCESSORIES / Description	Type	M	Part No.	P.U.
Cable gland IP68, plastic material, gray	Connection range 7 – 16 mm	25	Z5.507.1553.0	10
Cable gland IP68, nickel-plated brass	Connection range 11 – 18 mm	25	Z5.507.1521.0	10
Cable gland IP68, plastic material, gray	Connection range 15 – 21 mm	32	Z5.507.1753.0	10
Cable gland IP68, nickel-plated brass	Connection range 15 – 21 mm	32	Z5.507.1721.0	10
Contact inserts see the product matrix				Page 26–27

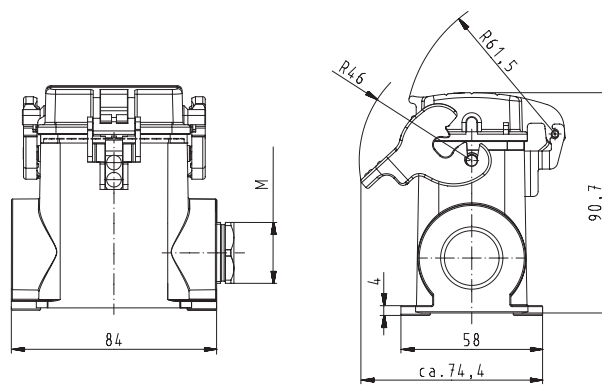
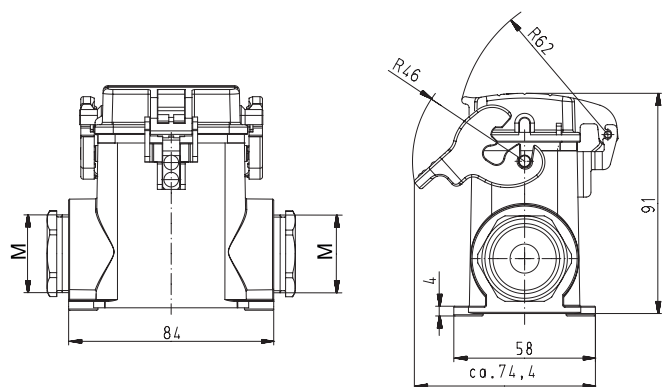
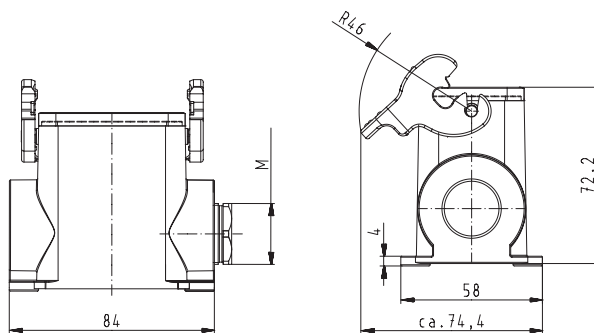
DIMENSIONS

Bases

closed, 2 cable glands



closed, 1 cable gland



REVOS BASIC · HOODS

Size 10, single locking lever



Lateral cable entry



Top cable entry



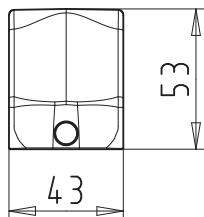
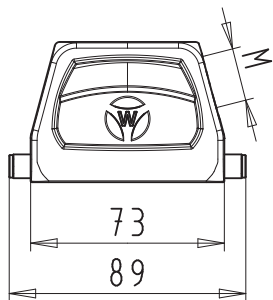
Multipole connectors for cable-to-cable couplings

Description	Type	M	Part No.	P.U.
Hoods, size 10		Aluminum housing		
Lateral cable entry M20				
with cable gland, IP54, $\rightarrow \varnothing \leftarrow$ 4 – 13 mm	BAS GOT GG 10 M20 A0	20	71.350.1035.0	1
with threaded collar	BAS GOT GG 10 M20 A1	20	71.350.1035.1	1
Lateral cable entry M25				
with cable gland, IP54, $\rightarrow \varnothing \leftarrow$ 8.5 – 17.5 mm	BAS GOT GG 10 M25 A0	25	71.353.1035.0	1
with threaded collar	BAS GOT GG 10 M25 A1	25	71.353.1035.1	1
Top cable entry M20				
with cable gland, IP54, $\rightarrow \varnothing \leftarrow$ 4 – 13 mm	BAS GOT GG 10 M25 A1	20	71.352.1035.0	1
with threaded collar	BAS GOT GI 10 M20 A1	20	71.352.1035.1	1
Top cable entry M25				
with cable gland, IP54, $\rightarrow \varnothing \leftarrow$ 8.5 – 17.5 mm	BAS GOT GI 10 M25 A0	25	71.354.1035.0	1
with threaded collar	BAS GOT GI 10 M25 A1	25	71.354.1035.1	1
Multipole connectors for cable-to-cable couplings M20				
with cable gland, IP54, $\rightarrow \varnothing \leftarrow$ 4 – 13 mm	BAS GOT GI 10 M20 A0	20	71.352.1035.0	1
with cable gland, IP54, $\rightarrow \varnothing \leftarrow$ 4 – 13 mm Locking levers and gasket	BAS GOT GL 10 M20 A0	20	71.372.1035.0	1
with threaded collar	BAS GOT GI 10 M20 A1	20	71.352.1035.1	1
with threaded collar Locking levers and gasket	BAS GOT GL 10 M20 A1	20	71.372.1035.1	1
TECHNICAL DATA				
Material	Die cast aluminum alloy			
Surface	silicon-free			
Locking levers at Multipole connectors	Handle: Polyamide, UL94-V0; stainless steel: V2A			
Gasket at Multipole connectors	NBR			
Degree of protection				
with latched locking levers	IP54			
with appropriate cable glands	IP65			
Temperature range	-40 °C...+120 °C			
ACCESSORIES / Description				
Cable gland IP68, plastic material, gray	Connection range 6 – 12 mm	20	Z5.507.1353.0	10
Cable gland IP68, nickel-plated brass	Connection range 8 – 13 mm	20	Z5.507.1321.0	10
Cable gland IP68, plastic material, gray	Connection range 7 – 16 mm	25	Z5.507.1553.0	10
Cable gland IP68, nickel-plated brass	Connection range 11 – 18 mm	25	Z5.507.1521.0	10
Strain relief IP54, nickel-plated brass	Connection range 6 – 13.5 mm	20	Z5.507.9621.0	10
Strain relief IP54, nickel-plated brass	Connection range 9 – 20 mm	25	Z5.507.9721.0	10
Contact inserts see the product matrix			Page 26–27	

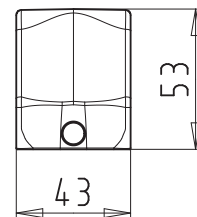
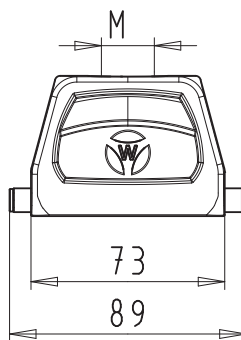
DIMENSIONS

Hoods

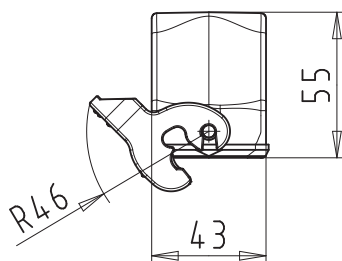
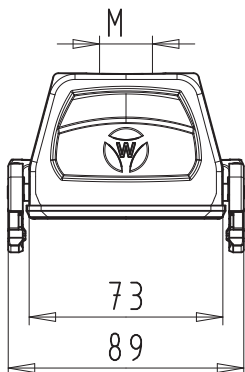
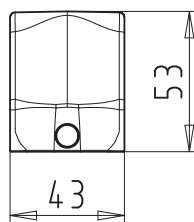
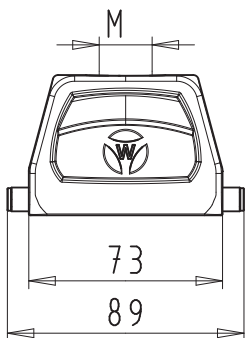
Lateral cable entry



Top cable entry



Multipole connectors for cable-to-cable couplings



REVOS BASIC · HOODS

Size 10H, increased height design, single locking lever



Lateral cable entry



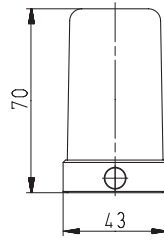
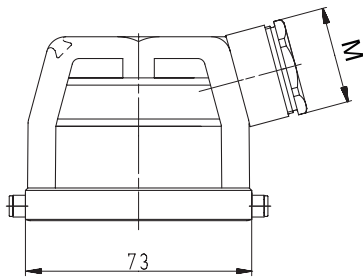
Top cable entry

Description	Type	M	Part No.	P.U.
Hoods, size 10H		Aluminum housing		
Lateral cable entry M25				
with cable gland, IP54, → Ø ← 8.5 – 17.5 mm	BAS GOT GG 10H M25 A0	25	73.350.0635.0	1
with threaded collar	BAS GOT GG 10H M25 A1	25	76.350.1035.1	1
Lateral cable entry M32				
with cable gland, IP54, → Ø ← 16 – 25 mm	BAS GOT GG 10H M32 A0	32	76.353.1035.0	1
with threaded collar	BAS GOT GG 10H M32 A1	32	76.353.1035.1	1
Top cable entry M25				
with cable gland, IP54, → Ø ← 8.5 – 17.5 mm	BAS GOT GI 10H M25 A0	25	76.352.1035.0	1
with threaded collar	BAS GOT GI 10H M25 A1	25	76.352.1035.1	1
Top cable entry M32				
with cable gland, IP54, → Ø ← 16 – 25 mm	BAS GOT GI 10H M32 A0	32	76.354.1035.0	1
with threaded collar	BAS GOT GI 10H M32 A1	32	76.354.1035.1	1
TECHNICAL DATA				
Material	Die cast aluminum alloy			
Surface	silicon-free			
Locking levers at Multipole connectors	-			
Gasket at Multipole connectors	-			
Degree of protection				
with latched locking levers	IP54			
with appropriate cable glands	IP65			
Temperature range	-40 °C...+120 °C			
ACCESSORIES / Description				
Cable gland IP68, plastic material, gray	Connection range 6 – 12 mm	20	Z5.507.1353.0	10
Cable gland IP68, plastic material, gray	Connection range 8 – 13 mm	20	Z5.507.1321.0	10
Cable gland IP68, plastic material, gray	Connection range 7 – 16 mm	25	Z5.507.1553.0	10
Cable gland IP68, nickel-plated brass	Connection range 11 – 18 mm	25	Z5.507.1521.0	10
Cable gland IP68, plastic material, gray	Connection range 15 – 21 mm	32	Z5.507.1753.0	10
Cable gland IP68, nickel-plated brass	Connection range 15 – 21 mm	32	Z5.507.1721.0	10
Strain relief IP54, nickel-plated brass	Connection range 6 – 13.5 mm	20	Z5.507.9621.0	10
Strain relief IP54, nickel-plated brass	Connection range 9 – 20 mm	25	Z5.507.9721.0	10
Strain relief IP54, nickel-plated brass	Connection range 19 – 29 mm	32	Z5.507.9821.0	10
Contact inserts see the product matrix			Page 26–27	

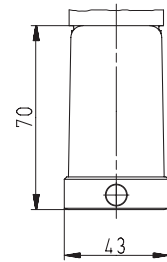
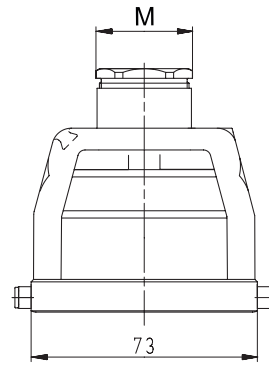
DIMENSIONS

Hoods

Lateral cable entry



Top cable entry



REVOS BASIC · BASES

Size 10, single locking lever



open, with or without cover



closed, with or without cover
1 cable gland



closed, with or without cover
1 cable gland, bottom

Description	Type	M	Part No.	P.U.
Bases, size 10		Aluminum housing		
Open-bottom base				
without cover	BAS GUT GK 10 A		71.320.1028.0	1
with cover	BAS GUT GP 10 A		71.325.1028.0	1
Closed-bottom base				
2 cable entries, 2 x M20				
without cover				
with cable gland, IP54, $\rightarrow \text{Ø} \leftarrow$ 4 – 13 mm	BAS GUT GL 10 M20 A0	20	71.330.1035.0	1
with threaded collar	BAS GUT GL 10 M20 A1	20	71.330.1035.1	1
with cover				
with cable gland, IP54, $\rightarrow \text{Ø} \leftarrow$ 4 – 13 mm	BAS GUT GR 10 M20 A0	20	71.340.1035.0	1
with threaded collar	BAS GUT GR 10 M20 A1	20	71.340.1035.1	1
1 cable entry, left, 1 x M20				
without cover				
with cable gland, IP54, $\rightarrow \text{Ø} \leftarrow$ 4 – 13 mm	BAS GUT GM 10 M20 A0	20	71.331.1035.0	1
with threaded collar	BAS GUT GM 10 M20 A1	20	71.331.1035.1	1
with cover				
with cable gland, IP54, $\rightarrow \text{Ø} \leftarrow$ 4 – 13 mm	BAS GUT GS 10 M20 A0	20	71.341.1035.0	1
with threaded collar	BAS GUT GS 10 M20 A1	20	71.341.1035.1	1
1 cable entry, left, 1 x M25				
without cover				
with cable gland, IP54, $\rightarrow \text{Ø} \leftarrow$ 8 – 17.5 mm	BAS GUT GM 10 M25 A0	20	71.335.1035.0	1
with threaded collar	BAS GUT GM 10 M25 A1	20	71.335.1035.1	1
1 cable entry, right, 1 x M20				
with cover				
with cable gland, IP54, $\rightarrow \text{Ø} \leftarrow$ 4 – 13 mm	BAS GUT GT 10 M20 A0	20	71.342.1035.0	1
with threaded collar	BAS GUT GT 10 M20 A1	20	71.342.1035.1	1
1 cable entry, bottom, 1 x M20				
without cover				
with cable gland, IP54, $\rightarrow \text{Ø} \leftarrow$ 4 – 13 mm	BAS GUT GO 10 M20 A0	20	71.333.1035.0	1
with threaded collar	BAS GUT GO 10 M20 A1	20	71.333.1035.1	1
with cover				
with cable gland, IP54, $\rightarrow \text{Ø} \leftarrow$ 4 – 13 mm	BAS GUT GU 10 M20 A0	20	71.343.1035.0	1
with threaded collar	BAS GUT GU 10 M20 A1	20	71.343.1035.1	1
TECHNICAL DATA				
Material	Die cast aluminum alloy			
Surface	silicon-free			
Locking levers	Handle: Polyamide, UL94-V0; stainless steel: V2A			
Gasket	NBR			
Degree of protection				
with latched locking levers	IP54			
with appropriate cable glands	IP65			
Temperature range	-40 °C...+120 °C			
ACCESSORIES / Description				
Cable gland IP68, plastic material, gray	Connection range 6 – 12 mm	20	Z5.507.1353.0	10
Cable gland IP68, nickel-plated brass	Connection range 8 – 13 mm	20	Z5.507.1321.0	10
Cable gland IP68, plastic material, gray	Connection range 7 – 16 mm	25	Z5.507.1553.0	10
Cable gland IP68, nickel-plated brass	Connection range 11 – 18 mm	25	Z5.507.1521.0	10
Contact inserts see the product matrix			Page 26–27	

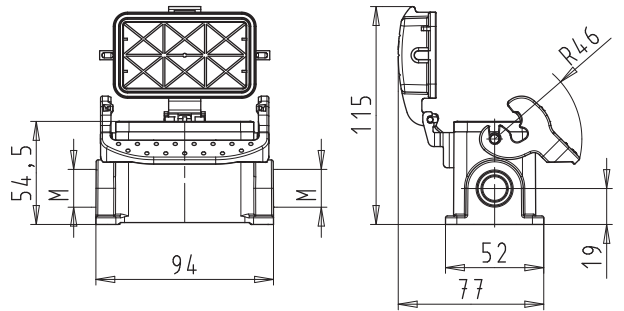
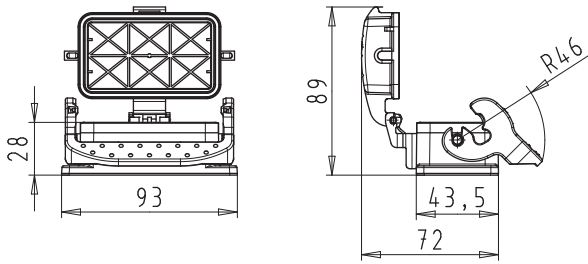
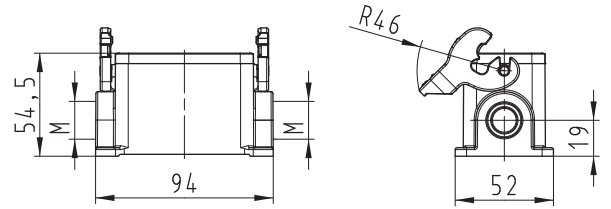
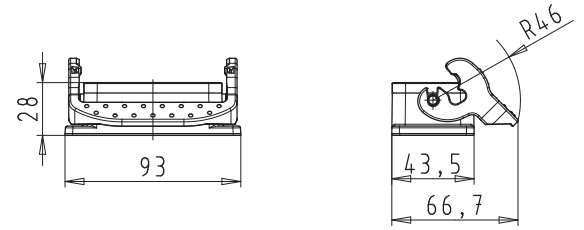
All Bases on this page are also available in M25 design.
The fifth digit of the part number always increases by 4 for M25 compared to the corresponding M20 designs.
Example:
71.341.1035.0 for M20 becomes 71.345.1035.0 for M25

DIMENSIONS

Bases

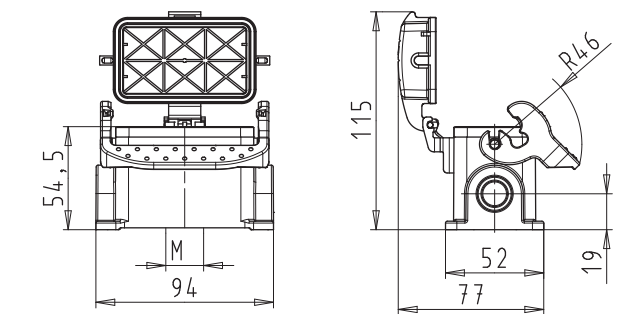
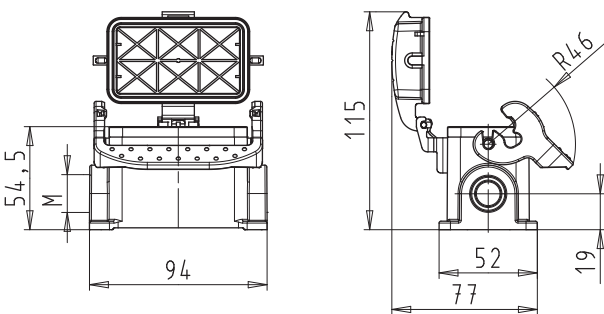
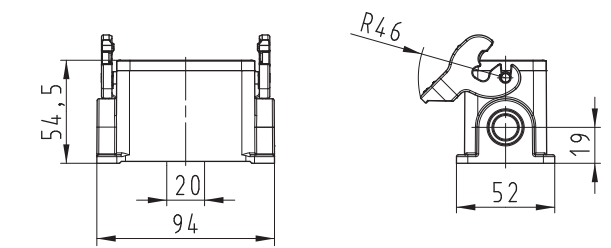
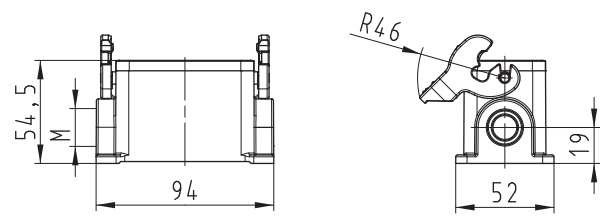
open

closed, 2 cable glands



closed, 1 cable gland

closed, 1 cable gland, bottom



REVOS BASIC · BASES

Size 10H, increased height design, single locking lever



closed M25
with or without cover



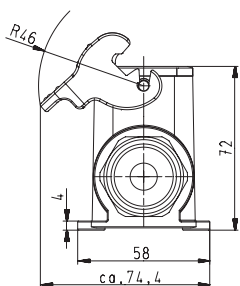
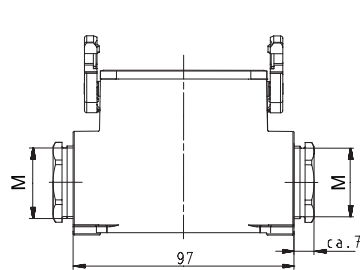
closed M25
with threaded collar

Description	Type	M	Part No.	P.U.
Bases, size 10H				
Aluminum housing				
Closed-bottom base				
2 cable entries, 2 x M25				
without cover				
with cable gland, IP54, $\rightarrow \text{Ø} \leftarrow$ 8.5 – 17.5 mm	BAS GUT GL 10H M25 A0	25	76.330.1035.0	1
with threaded collar	BAS GUT GL 10H M25 A1	25	76.330.1035.1	1
with cover				
with cable gland, IP54, $\rightarrow \text{Ø} \leftarrow$ 8.5 – 17.5 mm	BAS GUT GR 10H M25 A0	25	76.340.1035.0	1
with threaded collar	BAS GUT GR 10H M25 A1	25	76.340.1035.1	1
2 cable entries, 2 x M32				
without cover				
with cable gland, IP54, $\rightarrow \text{Ø} \leftarrow$ 15 – 26.5 mm	BAS GUT GL 10H M32 A0	32	76.334.1035.0	1
with threaded collar	BAS GUT GL 10H M32 A1	32	76.334.1035.1	1
with cover				
with cable gland, IP54, $\rightarrow \text{Ø} \leftarrow$ 15 – 26.5 mm	BAS GUT GR 10H M32 A0	32	76.344.1035.0	1
with threaded collar	BAS GUT GR 10H M32 A1	32	76.344.1035.1	1
1 cable entry, left, 1 x M25				
without cover				
with cable gland, IP54, $\rightarrow \text{Ø} \leftarrow$ 8.5 – 17.5 mm	BAS GUT GM 10H M25 A0	25	76.331.1035.0	1
with threaded collar	BAS GUT GM 10H M25 A1	25	76.331.1035.1	1
with cover				
with cable gland, IP54, $\rightarrow \text{Ø} \leftarrow$ 8.5 – 17.5 mm	BAS GUT GS 10H M25 A0	25	76.341.1035.0	1
with threaded collar	BAS GUT GS 10H M25 A1	25	76.341.1035.1	1
1 cable entry, left, 1 x M32				
without cover				
with threaded collar	BAS GUT GM 10H M32 A1	32	76.335.1035.1	1
with cover				
with threaded collar	BAS GUT GR 10H M32 A1	32	76.345.1035.1	1
1 cable entry, right, 1 x M25				
with cover				
with cable gland, IP54, $\rightarrow \text{Ø} \leftarrow$ 8.5 – 17.5 mm	BAS GUT GT 10H M25 A0	25	76.342.1035.0	1
with threaded collar	BAS GUT GT 10H M25 A1	25	76.342.1035.1	1
1 cable entry, right, 1 x M32				
with cover				
with threaded collar	BAS GUT GT 10H M32 A1	32	76.346.1035.1	1
TECHNICAL DATA				
Material	Die cast aluminum alloy			
Surface	silicon-free			
Locking levers	Handle: Polyamide, UL94-V0; stainless steel: V2A			
Gasket	NBR			
Degree of protection				
with latched locking levers	IP54			
with appropriate cable glands	IP65			
Temperature range	-40 °C...+120 °C			
ACCESSORIES / Description				
Cable gland IP68, plastic material, gray	Connection range 7 – 16 mm	25	Z5.507.1553.0	10
Cable gland IP68, nickel-plated brass	Connection range 11 – 18 mm	25	Z5.507.1521.0	10
Cable gland IP68, plastic material, gray	Connection range 10 – 21 mm	32	Z5.507.1753.0	10
Cable gland IP68, nickel-plated brass	Connection range 15 – 21 mm	32	Z5.507.1721.0	10
Contact inserts see the product matrix			Page 26–27	

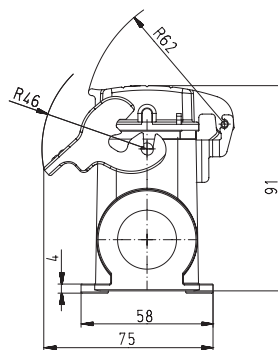
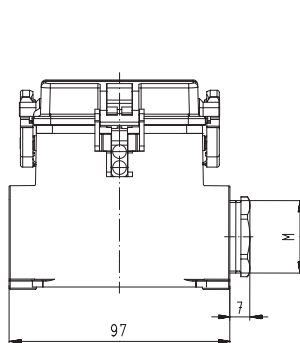
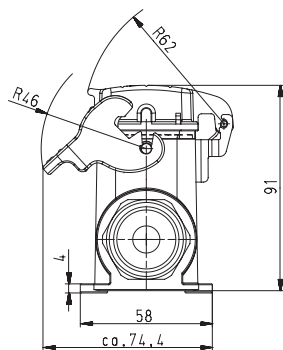
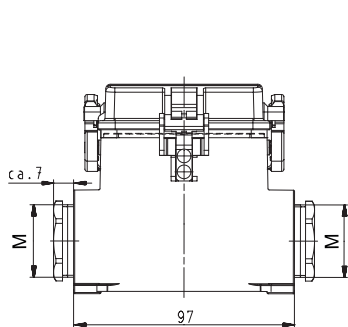
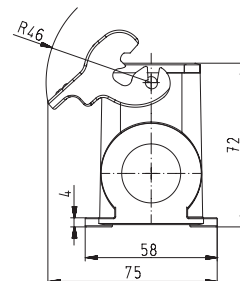
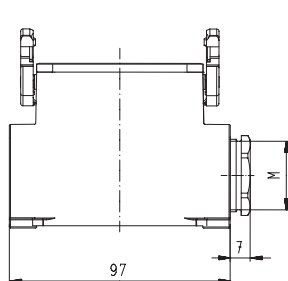
DIMENSIONS

Bases

closed, 2 cable glands



closed, 1 cable gland



REVOS BASIC · HOODS

Size 10, double locking lever



Lateral cable entry



Top cable entry

Description	Type	M	Part No.	P.U.
Hoods, size 10		Aluminum housing		
Lateral cable entry M20				
with cable gland, IP54, $\rightarrow \text{Ø} \leftarrow$ 4 – 13 mm	BAS GOT GA 10 M20 A0	20	70.350.1035.0	1
with threaded collar	BAS GOT GA 10 M20 A1	25	70.350.1035.1	1
Lateral cable entry M25				
with cable gland, IP54, $\rightarrow \text{Ø} \leftarrow$ 8.5 – 17.5 mm	BAS GOT GA 10 M25 A0	25	70.353.1035.0	1
with threaded collar	BAS GOT GA 10 M25 A1	25	70.353.1035.1	1
Top cable entry M20				
with cable gland, IP54, $\rightarrow \text{Ø} \leftarrow$ 4 – 13 mm	BAS GOT GC 10 M20 A0	20	70.352.1035.0	1
with threaded collar	BAS GOT GC 10 M20 A1	20	76.352.1035.1	1
Top cable entry M25				
with cable gland, IP54, $\rightarrow \text{Ø} \leftarrow$ 8.5 – 17.5 mm	BAS GOT GC 10 M25 A0	25	70.354.1035.0	1
with threaded collar	BAS GOT GC 10 M25 A1	25	70.354.1035.1	1

TECHNICAL DATA

Material	Die cast aluminum alloy
Surface	silicon-free
Locking levers at Multipole connectors	–
Gasket at Multipole connectors	–
Degree of protection	
with latched locking levers	IP54
with appropriate cable glands	IP65
Temperature range	-40 °C...+120 °C

ACCESSORIES / Description	Type	M	Part No.	P.U.
Cable gland IP68, plastic material, gray	Connection range 6 – 12 mm	20	Z5.507.1353.0	10
Cable gland IP68, nickel-plated brass	Connection range 8 – 13 mm	20	Z5.507.1321.0	10
Cable gland IP68, plastic material, gray	Connection range 7 – 16 mm	25	Z5.507.1553.0	10
Cable gland IP68, nickel-plated brass	Connection range 11 – 18 mm	25	Z5.507.1521.0	10
Strain relief IP54, nickel-plated brass	Connection range 6 – 13.5 mm	32	Z5.507.9621.0	10
Strain relief IP54, nickel-plated brass	Connection range 9 – 20 mm	32	Z5.507.9721.0	10

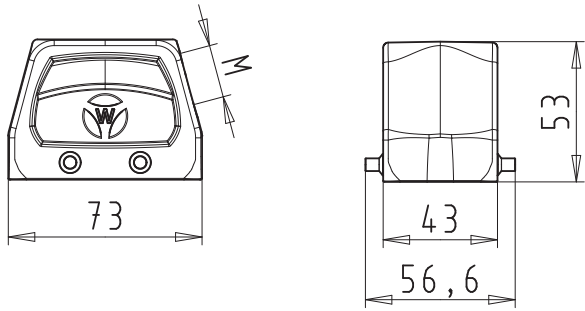
Contact inserts see the product matrix

Page 26–27

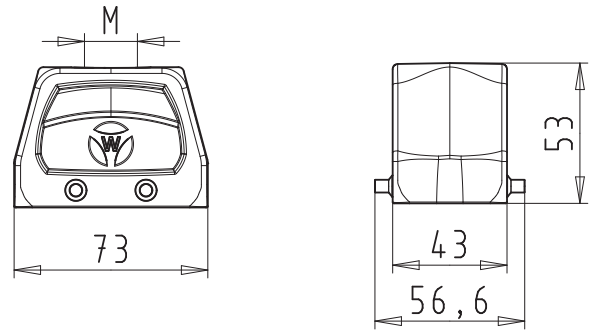
DIMENSIONS

Hoods

Lateral cable entry



Top cable entry



REVOS BASIC · HOODS

Size 10, double locking lever with locking levers



Lateral cable entry



Top cable entry



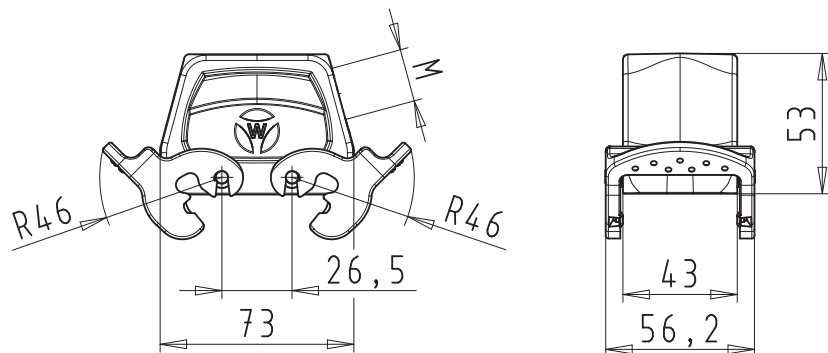
Multipole connectors for cable-to-cable couplings

Description	Type	M	Part No.	P.U.
Hoods, size 10	Aluminum housing			
Lateral cable entry M20				
with cable gland, IP54, → Ø ← 4 – 13 mm	BAS GOT GD 10 M20 A0	20	70.355.1035.0	1
with threaded collar	BAS GOT GD 10 M20 A1	20	70.355.1035.1	1
Lateral cable entry M25				
with cable gland, IP54, → Ø ← 8.5 – 17.5 mm	BAS GOT GD 10 M25 A0	25	70.358.1035.0	1
with threaded collar	BAS GOT GD 10 M25 A1	25	70.358.1035.1	1
Top cable entry M20				
with cable gland, IP54, → Ø ← 4 – 13 mm	BAS GOT GF 10 M20 A0	20	70.357.1035.0	1
with threaded collar	BAS GOT GF 10 M20 A1	20	70.357.1035.1	1
Top cable entry M25				
with cable gland, IP54, → Ø ← 8.5 – 17.5 mm	BAS GOT GC 10 M25 A0	25	70.359.1035.0	1
with threaded collar	BAS GOT GF 10 M25 A1	25	70.359.1035.1	1
Multipole connectors for cable-to-cable couplings M20				
with cable gland, IP54, → Ø ← 4 – 13 mm	BAS GOT GC 10 M20 A0	20	70.352.1035.0	1
with cable gland, IP54, → Ø ← 4 – 13 mm Locking levers and gasket	BAS GOT GK 10 M20 A0	20	70.372.1035.0	1
with threaded collar	BAS GOT GC 10 M20 A1	20	70.352.1035.1	1
with threaded collar Locking levers and gasket	BAS GOT GK 10 M20 A1	20	70.372.1035.1	1
TECHNICAL DATA				
Material	Die cast aluminum alloy			
Surface	silicon-free			
Locking levers	Handle: Polyamide, UL94-V0; stainless steel: V2A			
Gasket for Multipole connectors	NBR			
Degree of protection				
with latched locking levers	IP54			
with appropriate cable glands	IP65			
Temperature range	-40 °C...+120 °C			
ACCESSORIES / Description	Type	M	Part No.	P.U.
Cable gland IP68, plastic material, gray	Connection range 6 – 12 mm	20	Z5.507.1353.0	10
Cable gland IP68, nickel-plated brass	Connection range 8 – 13 mm	20	Z5.507.1321.0	10
Cable gland IP68, plastic material, gray	Connection range 7 – 16 mm	25	Z5.507.1553.0	10
Cable gland IP68, nickel-plated brass	Connection range 11 – 18 mm	25	Z5.507.1521.0	10
Strain relief IP54, nickel-plated brass	Connection range 6 – 13.5 mm	20	Z5.507.9621.0	10
Strain relief IP54, nickel-plated brass	Connection range 9 – 20 mm	25	Z5.507.9721.0	10
Contact inserts see the product matrix				Page 26–27

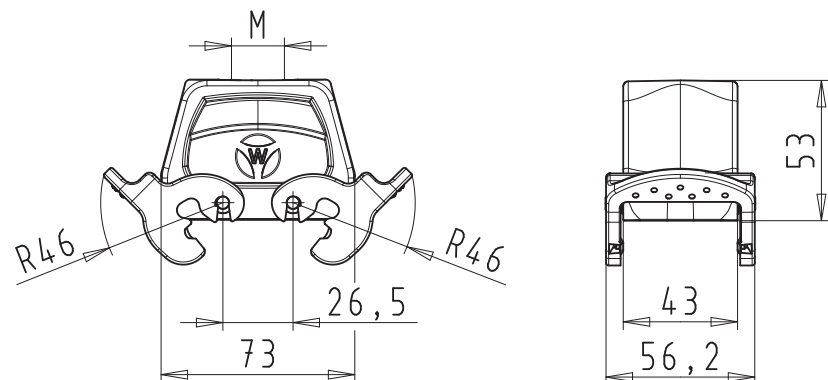
DIMENSIONS

Hoods

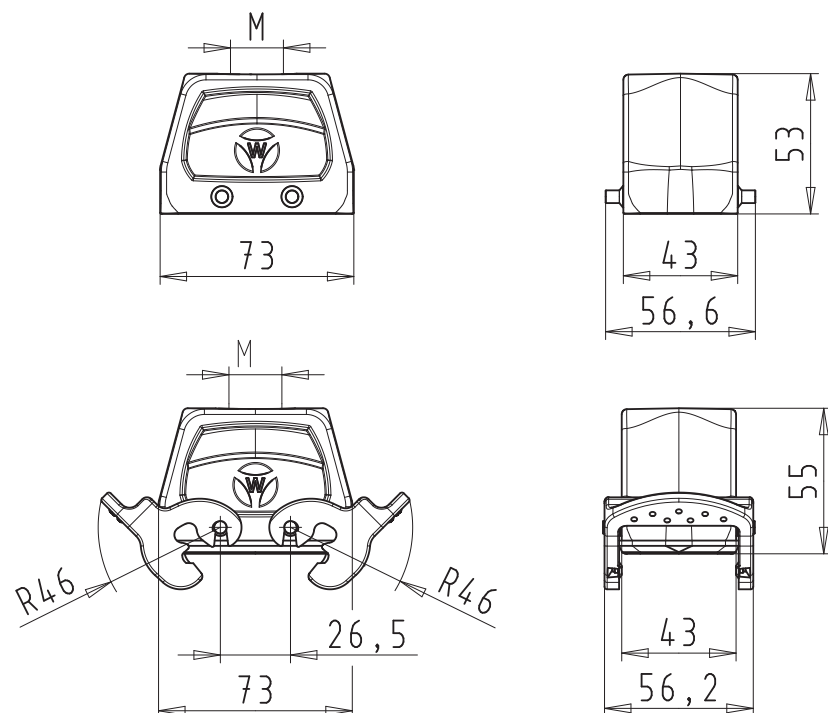
Lateral cable entry



Top cable entry



Multipole connectors for cable-to-cable couplings



REVOS BASIC · HOODS

Size 10H, increased height design, double locking lever



Lateral cable entry



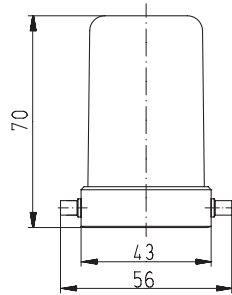
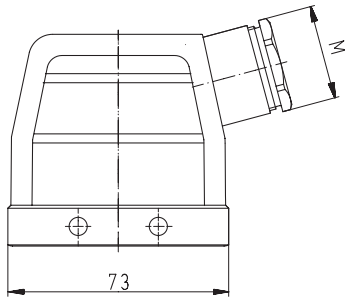
Top cable entry

Description	Type	M	Part No.	P.U.
Hoods, size 10H		Aluminum housing		
Lateral cable entry M25				
with cable gland, IP54, → Ø ← 8.5 – 17.5 mm	BAS GOT GA 10H M25 A0	25	73.350.1035.0	1
with threaded collar	BAS GOT GA 10H M25 A1	25	73.350.1035.1	1
Lateral cable entry M32				
with cable gland, IP54, → Ø ← 16 – 25 mm	BAS GOT GA 10H M32 A0	32	73.353.1035.0	1
with threaded collar	BAS GOT GA 10H M32 A1	32	73.353.1035.1	1
Top cable entry M25				
with cable gland, IP54, → Ø ← 8.5 – 17.5 mm	BAS GOT GC 10H M25 A0	25	73.352.1035.0	1
with threaded collar	BAS GOT GC 10H M25 A1	25	73.352.1035.1	1
Top cable entry M32				
with cable gland, IP54, → Ø ← 16 – 25 mm	BAS GOT GC 10H M32 A0	32	73.354.1035.0	1
with threaded collar	BAS GOT GC 10H M32 A1	32	73.354.1035.1	1
TECHNICAL DATA				
Material	Die cast aluminum alloy			
Surface	silicon-free			
Locking levers	-			
Gasket	-			
Degree of protection				
with latched locking levers	IP54			
with appropriate cable glands	IP65			
Temperature range	-40 °C...+120 °C			
ACCESSORIES / Description				
Cable gland IP68, plastic material, gray	Connection range 6 – 12 mm	20	Z5.507.1353.0	10
Cable gland IP68, plastic material, gray	Connection range 8 – 13 mm	20	Z5.507.1321.0	10
Cable gland IP68, plastic material, gray	Connection range 7 – 16 mm	25	Z5.507.1553.0	10
Cable gland IP68, nickel-plated brass	Connection range 11 – 18 mm	25	Z5.507.1521.0	10
Cable gland IP68, plastic material, gray	Connection range 15 – 21 mm	32	Z5.507.1753.0	10
Cable gland IP68, nickel-plated brass	Connection range 15 – 21 mm	32	Z5.507.1721.0	10
Strain relief IP54, nickel-plated brass	Connection range 6 – 13.5 mm	20	Z5.507.9621.0	10
Strain relief IP54, nickel-plated brass	Connection range 9 – 20 mm	25	Z5.507.9721.0	10
Strain relief IP54, nickel-plated brass	Connection range 17 – 26 mm	32	Z5.507.9821.0	10
Contact inserts see the product matrix			Page 26–27	

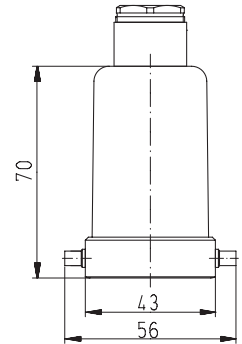
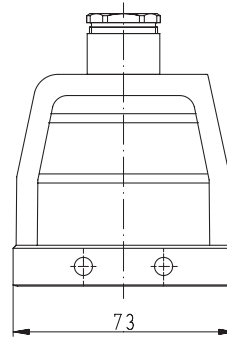
DIMENSIONS

Hoods

Lateral cable entry



Top cable entry



REVOS BASIC · BASES

Size 10, double locking lever



open, with or without cover



closed, with or without cover
1 cable gland



closed, with or without cover
1 cable gland, bottom

Description	Type	M	Part No.	P.U.
Bases, size 10				
Open-bottom base				
Aluminum housing				
without cover	BAS GUT GA 10 A		70.320.1028.0	
with cover	BAS GUT GE 10 A		70.325.1028.0	
Closed-bottom base				
2 cable entries, 2 x M20				
without cover				
with cable gland, IP54, $\rightarrow \varnothing \leftarrow$ 4 – 13 mm	BAS GUT GB 10 M20 A0		70.330.1035.0	
with threaded collar	BAS GUT GB 10 M20 A1		70.330.1035.1	
with cover				
with cable gland, IP54, $\rightarrow \varnothing \leftarrow$ 4 – 13 mm	BAS GUT GF 10 M20 A0		70.340.1035.0	
with threaded collar	BAS GUT GF 10 M20 A1		70.340.1035.1	
2 cable entries, 2 x M25				
without cover				
with cable gland, IP54, $\rightarrow \varnothing \leftarrow$ 8.5 – 17.5 mm	BAS GUT GB 10 M25 A0		70.334.1035.0	
with threaded collar	BAS GUT GB 10 M25 A1		70.334.1035.1	
with cover				
with threaded collar	BAS GUT GF 10 M25 A1		70.344.1035.1	
1 cable entry, left, 1 x M20				
without cover				
with cable gland, IP54, $\rightarrow \varnothing \leftarrow$ 4 – 13 mm	BAS GUT GC 10 M20 A0		70.331.1035.0	
with threaded collar	BAS GUT GC 10 M20 A1		70.331.1035.1	
with cover				
with cable gland, IP54, $\rightarrow \varnothing \leftarrow$ 4 – 13 mm	BAS GUT GG 10 M20 A0		70.341.1035.0	
with threaded collar	BAS GUT GG 10 M20 A1		70.341.1035.1	
1 cable entry, left, 1 x M25				
without cover				
with cable gland, IP54, $\rightarrow \varnothing \leftarrow$ 8.5 – 19 mm	BAS GUT GC 10 M25 A0		70.335.1035.0	
with threaded collar	BAS GUT GC 10 M25 A1		70.335.1035.1	
1 cable entry, right, 1 x M20				
with cover				
with cable gland, IP54, $\rightarrow \varnothing \leftarrow$ 4 – 13 mm	BAS GUT GH 10 M20 A0		70.342.1035.0	
with threaded collar	BAS GUT GH 10 M20 A1		70.342.1035.1	
1 cable entry, bottom, 1 x M20				
without cover				
with cable gland, IP54, $\rightarrow \varnothing \leftarrow$ 4 – 13 mm	BAS GUT GD 10 M20 A0		70.333.1035.0	
with threaded collar	BAS GUT GD 10 M20 A1		70.333.1035.1	
with cover				
with cable gland, IP54, $\rightarrow \varnothing \leftarrow$ 4 – 13 mm	BAS GUT GI 10 M20 A0		70.343.1035.0	
with threaded collar	BAS GUT GI 10 M20 A1		70.343.1035.1	
1 cable entry, bottom, 1 x M25				
without cover				
with threaded collar	BAS GUT GD 10 M25 A1		70.337.1035.1	

TECHNICAL DATA

Material	Die cast aluminum alloy
Surface	silicon-free
Locking levers	Handle: Polyamide, UL94-V0; stainless steel: V2A
Gasket	NBR
Degree of protection	
with latched locking levers	IP54
with appropriate cable glands	IP65
Temperature range	-40 °C...+120 °C

ACCESSORIES / Description	Type	M	Part No.	P.U.
Cable gland IP68, plastic material, gray	Connection range 6 – 12 mm	20	Z5.507.1353.0	10
Cable gland IP68, nickel-plated brass	Connection range 8 – 13 mm	20	Z5.507.1321.0	10
Cable gland IP68, plastic material, gray	Connection range 7 – 16 mm	25	Z5.507.1553.0	10
Cable gland IP68, nickel-plated brass	Connection range 11 – 18 mm	25	Z5.507.1521.0	10

Contact inserts see the product matrix Page 26–27

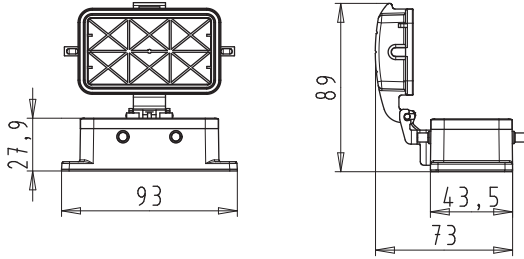
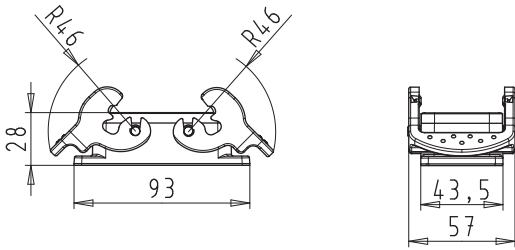
All Bases on this page are also available in M25 design.
The fifth digit of the part number always increases by 4 for M25 compared to the corresponding M20 designs.

Example:
70.341.1035.0 for M20 becomes 70.345.0635.0 for M25

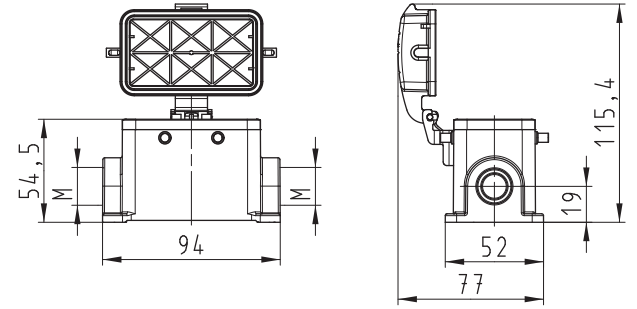
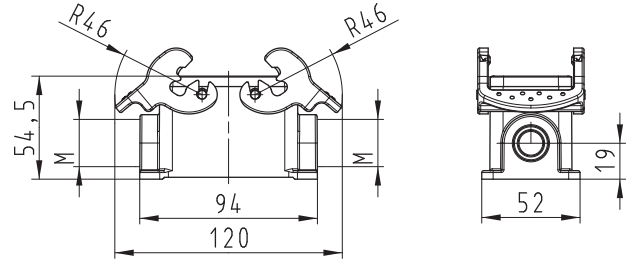
DIMENSIONS

Bases

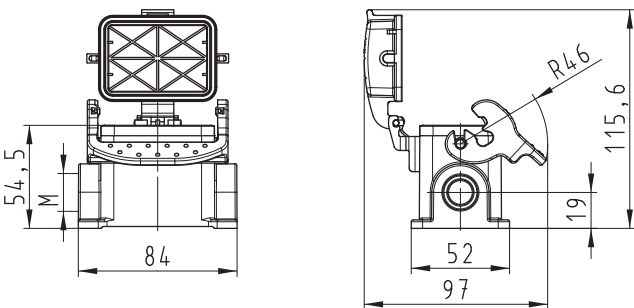
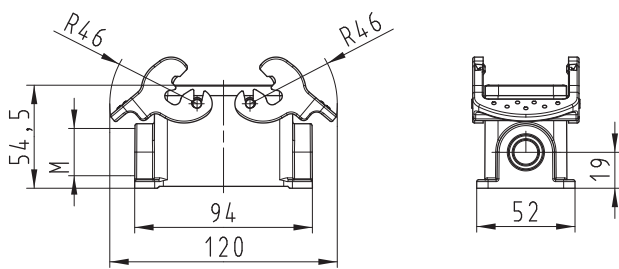
open



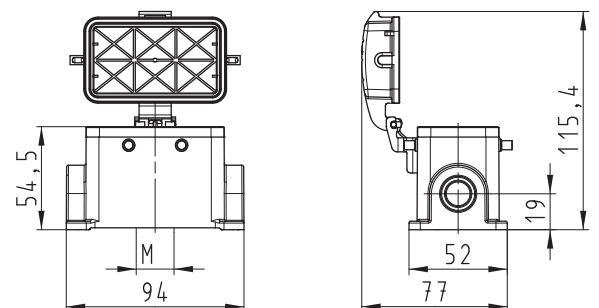
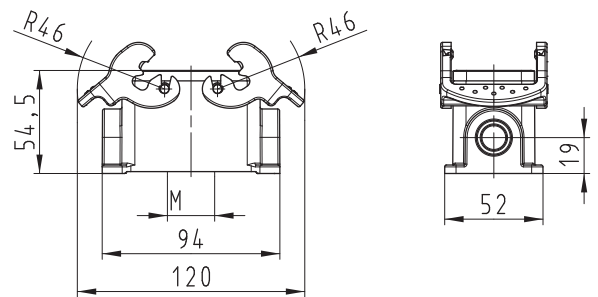
closed, 2 cable glands



closed, 1 cable gland



closed, 1 cable gland, bottom



REVOS BASIC · BASES

Size 10H, increased height design, single locking lever



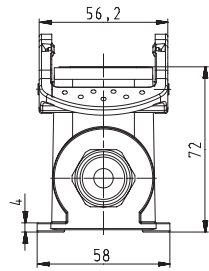
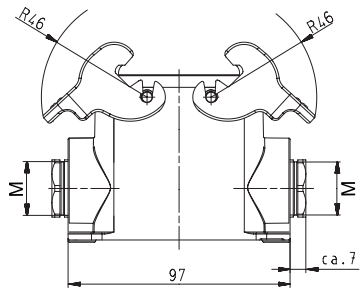
closed M25
with or without cover
2 cable glands

Description	Type	M	Part No.	P.U.
Bases, size 10H				
Closed-bottom base				
2 cable entries, 2 x M25				
without cover				
with cable gland, IP54, $\rightarrow \text{Ø} \leftarrow$ 7.5 – 19 mm	BAS GUT GB 10H M25 A0	25	73.330.1035.0	1
with threaded collar	BAS GUT GB 10H M25 A1	25	73.330.1035.1	1
with cover				
with cable gland, IP54, $\rightarrow \text{Ø} \leftarrow$ 7.5 – 19 mm	BAS GUT GF 10H M25 A0	25	73.340.1035.0	1
with threaded collar	BAS GUT GF 10H M25 A1	25	73.340.1035.1	1
2 cable entries, 2 x M32				
without cover				
with cable gland, IP54, $\rightarrow \text{Ø} \leftarrow$ 15 – 26.5 mm	BAS GUT GB 10H M32 A0	32	73.334.1035.0	1
with threaded collar	BAS GUT GB 10H M32 A1	32	73.334.1035.1	1
with cover				
with threaded collar	BAS GUT GF 10H M32 A1	32	73.344.1035.1	1
1 cable entry, left, 1a x M25				
without cover				
with cable gland, IP54, $\rightarrow \text{Ø} \leftarrow$ 7.5 – 19 mm	BAS GUT GC 10H M25 A0	25	73.331.1035.0	1
with threaded collar	BAS GUT GC 10H M25 A1	25	73.331.1035.1	1
with cover				
with threaded collar	BAS GUT GG 10H M25 A1	25	73.341.1035.1	1
1 cable entry, left, 1 x M32				
without cover				
with cable gland, IP54, $\rightarrow \text{Ø} \leftarrow$ 15 – 26.5 mm	BAS GUT GC 10H M32 A0	32	73.335.1035.0	1
with threaded collar	BAS GUT GC 10H M32 A1	32	73.335.1035.1	1
1 cable entry, right, 1 x M25				
with cover				
with threaded collar	BAS GUT GH 10H M25 A1	25	73.342.1035.1	1
TECHNICAL DATA				
Material	Die cast aluminum alloy			
Surface	silicon-free			
Locking levers	Handle: Polyamide, UL94-V0; stainless steel: V2A			
Gasket	NBR			
Degree of protection				
with latched locking levers	IP54			
with appropriate cable glands	IP65			
Temperature range	-40 °C...+120 °C			
ACCESSORIES / Description				
Cable gland IP68, plastic material, gray	Connection range 7 – 16 mm	25	Z5.507.1553.0	10
Cable gland IP68, nickel-plated brass	Connection range 11 – 18 mm	25	Z5.507.1521.0	10
Cable gland IP68, plastic material, gray	Connection range 15 – 21 mm	32	Z5.507.1753.0	10
Cable gland IP68, nickel-plated brass	Connection range 15 – 21 mm	32	Z5.507.1721.0	10
Contact inserts see the product matrix			Page 26–27	

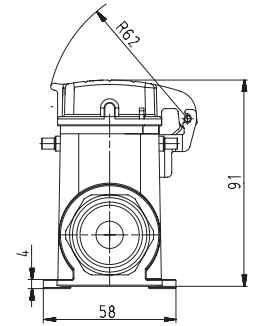
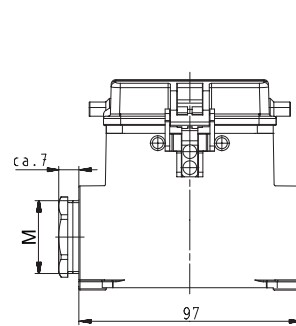
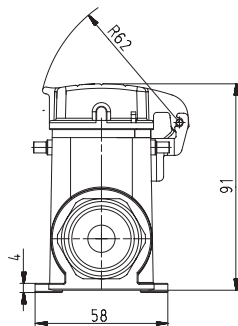
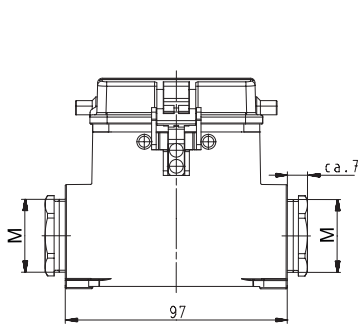
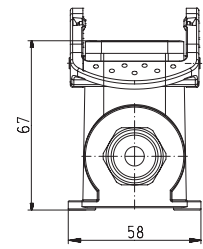
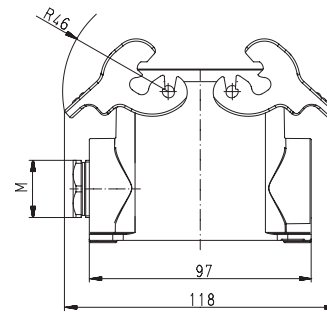
DIMENSIONS

Bases

closed, 2 cable glands



closed, 1 cable gland



REVOS BASIC · HOODS

Size 16, single locking lever



Lateral cable entry



Top cable entry



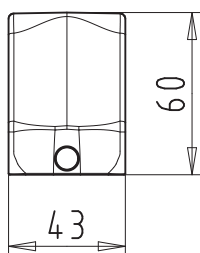
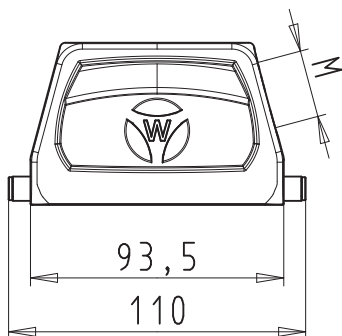
Multipole connectors for cable-to-cable couplings

Description	Type	M	Part No.	P.U.
Hoods, size 16		Aluminum housing		
Lateral cable entry M25				
with cable gland, IP54, $\rightarrow \leftarrow$ 8.5 – 17.5 mm	BAS GOT GG 16 M25 A0	25	71.350.1635.0	1
with threaded collar	BAS GOT GG 16 M25 A1	25	71.350.1635.1	1
Lateral cable entry M32				
with cable gland, IP54, $\rightarrow \leftarrow$ 16 – 25 mm	BAS GOT GG 16 M32 A0	32	71.353.1635.0	1
with threaded collar	BAS GOT GG 16 M32 A1	32	71.353.1635.1	1
Top cable entry M25				
with cable gland, IP54, $\rightarrow \leftarrow$ 8.5 – 17.5 mm	BAS GOT GI 16 M25 A0	25	71.352.1635.0	1
with threaded collar	BAS GOT GI 16 M25 A1	25	71.352.1635.1	1
Top cable entry M32				
with cable gland, IP54, $\rightarrow \leftarrow$ 16 – 25 mm	BAS GOT GI 16 M32 A0	32	71.354.1635.0	1
with threaded collar	BAS GOT GI 16 M32 A1	32	71.354.1635.1	1
Multipole connectors for cable-to-cable couplings M25				
with cable gland, IP54, $\rightarrow \leftarrow$ 8.5 – 17.5 mm	BAS GOT GI 16 M25 A0	25	71.352.1635.0	1
with cable gland, IP54, $\rightarrow \leftarrow$ 8.5 – 17.5 mm Locking levers and gasket	BAS GOT GL 16 M25 A0	25	71.372.1635.0	1
with threaded collar	BAS GOT GI 16 M25 A1	25	71.352.1635.1	1
with threaded collar Locking levers and gasket	BAS GOT GL 16 M25 A1	25	71.372.1635.1	1
TECHNICAL DATA				
Material	Die cast aluminum alloy			
Surface	powder coated			
Locking levers at multipole connectors	Handle: Polyamide, UL94-V0; stainless steel: V2A			
Gasket at multipole connectors	NBR			
Degree of protection				
with latched locking levers	IP54			
with appropriate cable glands	IP65			
Temperature range	-40 °C...+120 °C			
ACCESSORIES / Description				
Cable gland IP68, plastic material, gray	Connection range 7 – 16 mm	25	Z5.507.1553.0	10
Cable gland IP68, nickel-plated brass	Connection range 11 – 18 mm	25	Z5.507.1521.0	10
Cable gland IP68, plastic material, gray	Connection range 9 – 21 mm	32	Z5.507.1753.0	10
Cable gland IP68, nickel-plated brass	Connection range 15 – 21 mm	32	Z5.507.1721.0	10
Strain relief IP54, nickel-plated brass	Connection range 9 – 20 mm	25	Z5.507.9721.0	10
Strain relief IP54, nickel-plated brass	Connection range 17 – 29 mm	32	Z5.507.9821.0	10
Contact inserts see the product matrix			Page 26–27	

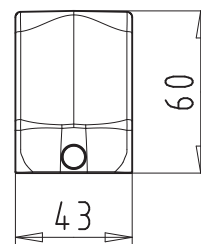
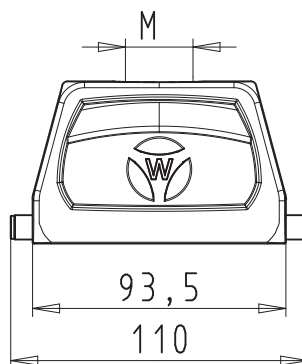
DIMENSIONS

Hoods

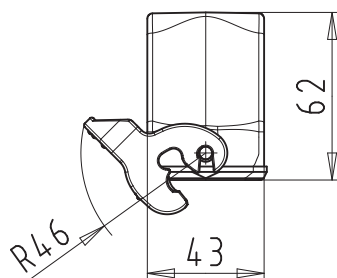
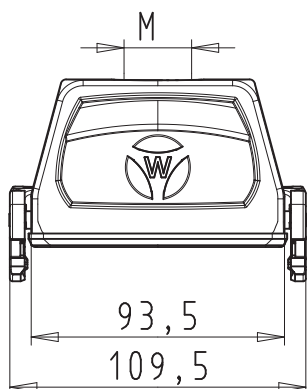
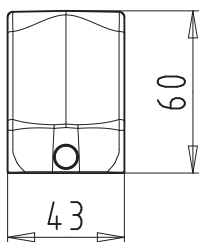
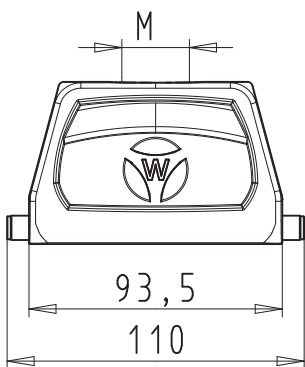
Lateral cable entry



Top cable entry



Multipole connectors for cable-to-cable couplings



REVOS BASIC · HOODS

Size 16H, increased height design, single locking lever



Lateral cable entry



Top cable entry



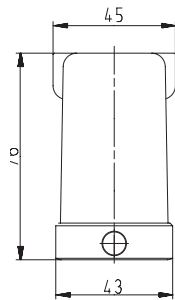
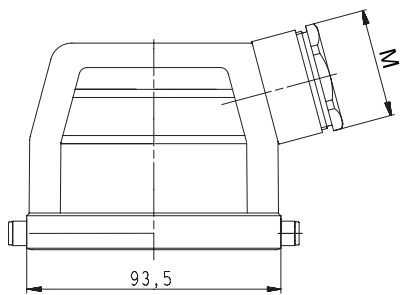
Multipole connectors for cable-to-cable couplings

Description	Type	M	Part No.	P.U.
Hoods, size 16H		Aluminum housing		
Lateral cable entry M25				
with cable gland, IP54, $\rightarrow \text{Ø} \leftarrow$ 8.5 – 17.5 mm	BAS GOT GG 16H M25 A0	25	76.350.4035.0	1
with threaded collar	BAS GOT GG 16H M25 A1	25	76.350.4035.1	1
Lateral cable entry M32				
with cable gland, IP54, $\rightarrow \text{Ø} \leftarrow$ 16 – 25 mm	BAS GOT GG 16H M32 A0	32	76.353.4035.0	1
with threaded collar	BAS GOT GG 16H M32 A1	32	76.353.4035.1	1
Lateral cable entry M40				
with cable gland, IP54, $\rightarrow \text{Ø} \leftarrow$ 19 – 27 mm	BAS GOT GG 16H M40 A0	40	76.360.4035.0	1
with threaded collar	BAS GOT GG 16H M40 A1	40	76.360.4035.1	1
Top cable entry M25				
with cable gland, IP54, $\rightarrow \text{Ø} \leftarrow$ 8.5 – 17.5 mm	BAS GOT GI 16H M25 A0	25	76.352.4035.0	1
with threaded collar	BAS GOT GI 16H M25 A1	25	76.352.4035.1	1
Top cable entry M32				
with cable gland, IP54, $\rightarrow \text{Ø} \leftarrow$ 16 – 25 mm	BAS GOT GI 16H M32 A0	32	76.354.4035.0	1
with threaded collar	BAS GOT GI 16H M32 A1	32	76.354.4035.1	1
Top cable entry M40				
with threaded collar	BAS GOT GI 16H M40 A1	40	76.362.4035.1	1
Multipole connectors for cable-to-cable couplings M32				
with cable gland, IP54, $\rightarrow \text{Ø} \leftarrow$ 16 – 25 mm	BAS GOT GI 16H M32 A0	32	76.354.4035.0	1
with cable gland, IP54, $\rightarrow \text{Ø} \leftarrow$ 16 – 25 mm Locking levers and gasket	BAS GOT GL 16H M32 A0	32	76.374.4035.0	1
TECHNICAL DATA				
Material	Die cast aluminum alloy			
Surface	powder coated			
Locking levers at multipole connectors	Handle: Polyamide, UL94-V0; stainless steel: V2A			
Gasket at multipole connectors	NBR			
Degree of protection				
with latched locking levers	IP54			
with appropriate cable glands	IP65			
Temperature range	-40 °C...+120 °C			
ACCESSORIES / Description				
Cable gland IP68, plastic material, gray	Connection range 7 – 16 mm	25	Z5.507.1553.0	10
Cable gland IP68, nickel-plated brass	Connection range 11 – 18 mm	25	Z5.507.1521.0	10
Cable gland IP68, plastic material, gray	Connection range 5 – 21 mm	32	Z5.507.1753.0	10
Cable gland IP68, nickel-plated brass	Connection range 15 – 21 mm	32	Z5.507.1721.0	10
Cable gland IP68, plastic material, gray	Connection range 16 – 28 mm	40	Z5.507.1953.0	1
Cable gland IP68, nickel-plated brass	Connection range 19 – 27 mm	40	Z5.507.1921.0	1
Strain relief IP54, nickel-plated brass	Connection range 9 – 20 mm	25	Z5.507.9721.0	10
Strain relief IP54, nickel-plated brass	Connection range 17 – 26 mm	32	Z5.507.9821.0	10
Contact inserts see the product matrix			Page 26–27	

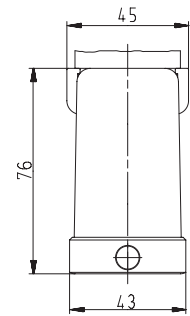
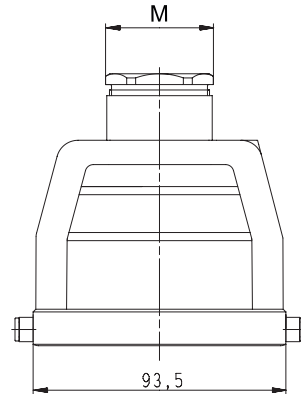
DIMENSIONS

Hoods

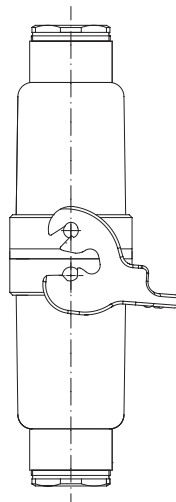
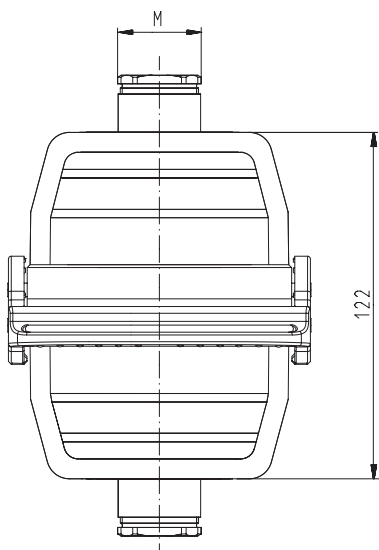
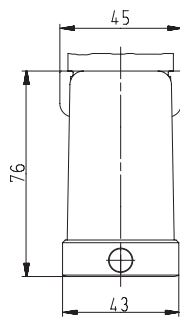
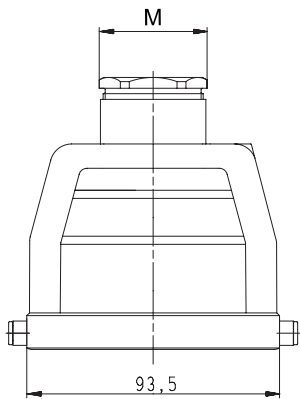
Lateral cable entry



Top cable entry



Multipole connectors for cable-to-cable couplings



REVOS BASIC · BASES

Size 16, single locking lever



open, with or without cover



closed, with or without cover,
1 cable gland



closed, with or without cover,
1 cable gland, bottom

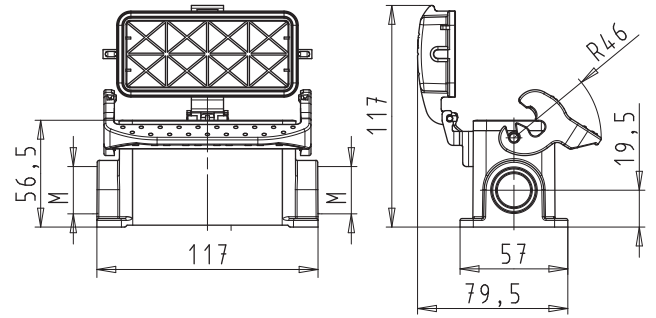
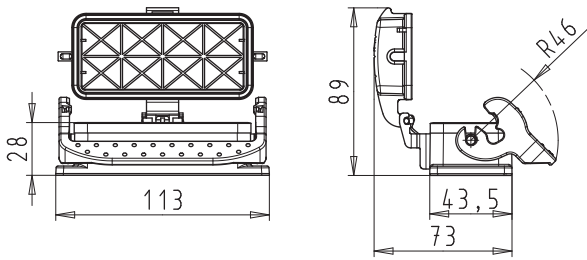
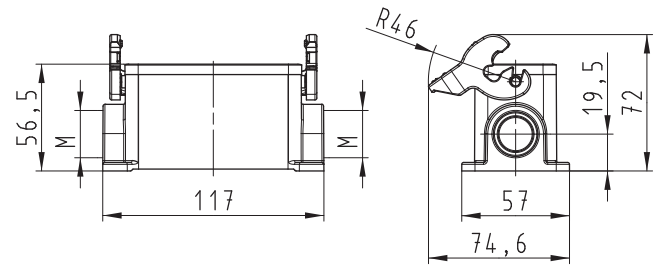
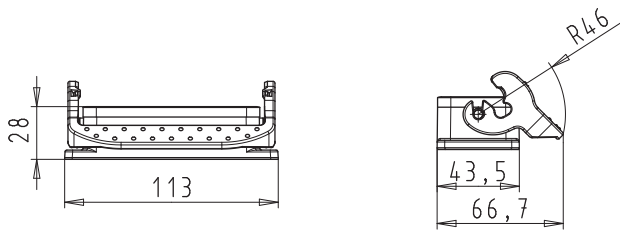
Description	Type	M	Part No.	P.U.
Bases, size 16		Aluminum housing		
Open-bottom base				
without cover	BAS GUT GK 16 A		71.320.1628.0	1
with cover	BAS GUT GP 16 A		71.325.1628.0	1
Closed-bottom base				
2 cable entries, 2 x M25				
without cover				
with cable gland, IP54, $\rightarrow \varnothing \leftarrow$ 8.5 – 17.5 mm	BAS GUT GL 16 M25 A0	25	71.330.1635.0	1
with threaded collar	BAS GUT GL 16 M25 A1	25	71.330.1635.1	1
with cover				
with cable gland, IP54, $\rightarrow \varnothing \leftarrow$ 8.5 – 17.5 mm	BAS GUT GR 16 M25 A0	25	71.340.1635.0	1
with threaded collar	BAS GUT GR 16 M25 A1	25	71.340.1635.1	1
1 cable entry, left, 1 x M25				
without cover				
with cable gland, IP54, $\rightarrow \varnothing \leftarrow$ 8.5 – 17.5 mm	BAS GUT GM 16 M25 A0	25	71.331.1635.0	1
with threaded collar	BAS GUT GM 16 M25 A1	25	71.331.1635.1	1
with cover				
with cable gland, IP54, $\rightarrow \varnothing \leftarrow$ 8.5 – 17.5 mm	BAS GUT GS 16 M25 A0	25	71.341.1635.0	1
with threaded collar	BAS GUT GS 16 M25 A1	25	71.341.1635.1	1
1 cable entry, right, 1 x M25				
with cover				
with cable gland, IP54, $\rightarrow \varnothing \leftarrow$ 8.5 – 17.5 mm	BAS GUT GT 16 M25 A0	25	71.342.1635.0	1
with threaded collar	BAS GUT GT 16 M25 A1	25	71.342.1635.1	1
1 cable entry, bottom, 1 x M25				
without cover				
with cable gland, IP54, $\rightarrow \varnothing \leftarrow$ 8.5 – 17.5 mm	BAS GUT GO 16 M25 A0	25	71.333.1635.0	1
with threaded collar	BAS GUT GO 16 M25 A1	25	71.333.1635.1	1
with cover				
with cable gland, IP54, $\rightarrow \varnothing \leftarrow$ 8.5 – 17.5 mm	BAS GUT GU 16 M25 A0	25	71.343.1635.0	1
with threaded collar	BAS GUT GU 16 M25 A1	25	71.343.1635.1	1
TECHNICAL DATA				
Material	Die cast aluminum alloy			
Surface	powder coated			
Locking levers	Handle: Polyamide, UL94-V0; stainless steel: V2A			
Gasket	NBR			
Degree of protection				
with latched locking levers	IP54			
with appropriate cable glands	IP65			
Temperature range	-40 °C...+120 °C			
ACCESSORIES / Description				
Cable gland IP68, plastic material, gray	Connection range 7 – 16 mm	25	Z5.507.1553.0	10
Cable gland IP68, nickel-plated brass	Connection range 11 – 18 mm	25	Z5.507.1521.0	10
Contact inserts see the product matrix			Page 26–27	

DIMENSIONS

Bases

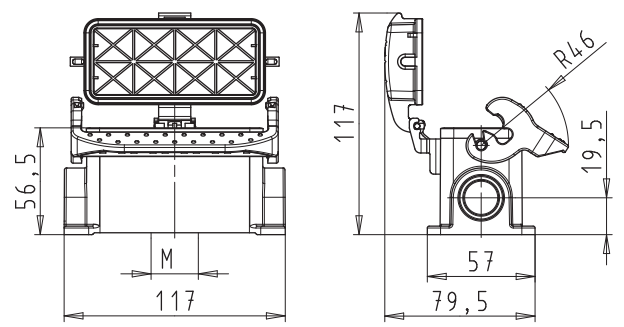
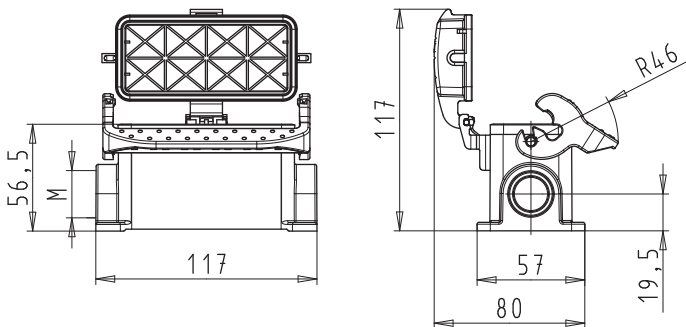
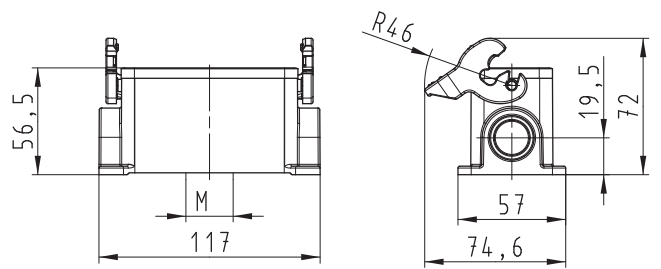
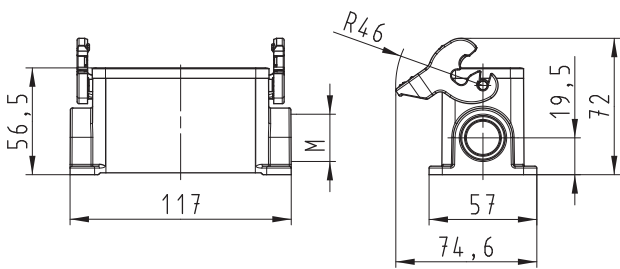
open

closed, 2 cable glands



closed, 1 cable gland

closed, 1 cable gland, bottom



REVOS BASIC · BASES

Size 16H, increased height design, single locking lever



closed M25, with or without cover
2 cable glands



closed M32, with or without cover
2 cable glands



closed M25, with or without cover
1 cable gland, bottom

Description	Type	M	Part No.	P.U.
Bases, size 16H	Aluminum housing			
Closed-bottom base				
2 cable entries, 2 x M25				
without cover				
with cable gland, IP54, $\Rightarrow \text{I} \varnothing \leftarrow 8.5 - 17.5 \text{ mm}$	BAS GUT GL 16H M25 A0	25	76.330.4035.0	1
with threaded collar	BAS GUT GL 16H M25 A1	25	76.330.4035.1	1
with cover				
with cable gland, IP54, $\Rightarrow \text{I} \varnothing \leftarrow 8.5 - 17.5 \text{ mm}$	BAS GUT GR 16H M25 A0	25	76.340.4035.0	1
with threaded collar	BAS GUT GR 16H M25 A1	25	76.340.4035.1	1
2 cable entries, 2 x M32				
without cover				
with threaded collar	BAS GUT GL 16H M32 A1	32	76.334.4035.1	1
with cover				
with cable gland, IP54, $\Rightarrow \text{I} \varnothing \leftarrow 16 - 25 \text{ mm}$	BAS GUT GR 16H M32 A0	32	76.344.4035.0	1
with threaded collar	BAS GUT GR 16H M32 A1	32	76.344.4035.1	1
1 cable entry, left, 1 x M25				
without cover				
with cable gland, IP54, $\Rightarrow \text{I} \varnothing \leftarrow 8.5 - 17.5 \text{ mm}$	BAS GUT GM 16H M25 A0	25	76.331.4035.0	1
with threaded collar	BAS GUT GM 16H M25 A1	25	76.331.4035.1	1
with cover				
with cable gland, IP54, $\Rightarrow \text{I} \varnothing \leftarrow 8.5 - 17.5 \text{ mm}$	BAS GUT GS 16H M25 A0	25	76.341.4035.0	1
with threaded collar	BAS GUT GS 16H M25 A1	25	76.341.4035.1	1
1 cable entry, left, 1 x M32				
without cover				
with cable gland, IP54, $\Rightarrow \text{I} \varnothing \leftarrow 16 - 25 \text{ mm}$	BAS GUT GM 16H M32 A0	32	76.335.4035.0	1
with threaded collar	BAS GUT GM 16H M32 A1	32	76.335.4035.1	1
with cover				
with cable gland, IP54, $\Rightarrow \text{I} \varnothing \leftarrow 16 - 25 \text{ mm}$	BAS GUT GS 16H M32 A0	32	76.345.4035.0	1
with threaded collar	BAS GUT GS 16H M32 A1	32	76.345.4035.1	1
1 cable entry, right, 1 x M32				
with cover				
with cable gland, IP54, $\Rightarrow \text{I} \varnothing \leftarrow 16 - 25 \text{ mm}$	BAS GUT GT 16H M32 A0	32	76.346.4035.0	1
with threaded collar	BAS GUT GT 16H M32 A1	32	76.346.4035.1	1
1 cable entry, bottom, 1 x M25				
with cover				
with cable gland, IP54, $\Rightarrow \text{I} \varnothing \leftarrow 8.5 - 17.5 \text{ mm}$	BAS GUT GU 16H M25 A0	25	76.343.4035.0	1
1 cable entry, bottom, 1 x M32				
without cover				
with threaded collar	BAS GUT GO 16H M32 A1	32	76.337.4035.1	1
with cover				
with cable gland, IP54, $\Rightarrow \text{I} \varnothing \leftarrow 16 - 25 \text{ mm}$	BAS GUT GU 16H M32 A0	32	76.347.4035.0	1
with threaded collar	BAS GUT GU 16H M32 A1	32	76.347.4035.1	1

TECHNICAL DATA

Material	Die cast aluminum alloy
Surface	powder coated
Locking levers	Handle: Polyamide, UL94-V0; stainless steel: V2A
Gasket	NBR
Degree of protection	
with latched locking levers	IP54
with appropriate cable glands	IP65
Temperature range	-40 °C...+120 °C

ACCESSORIES / Description	Type	M	Part No.	P.U.
Cable gland IP68, plastic material, gray	Connection range 7 – 16 mm	25	Z5.507.1553.0	10
Cable gland IP68, nickel-plated brass	Connection range 11 – 18 mm	25	Z5.507.1521.0	10
Cable gland IP68, plastic material, gray	Connection range 15 – 21 mm	32	Z5.507.1753.0	10
Cable gland IP68, nickel-plated brass	Connection range 15 – 21 mm	32	Z5.507.1721.0	10

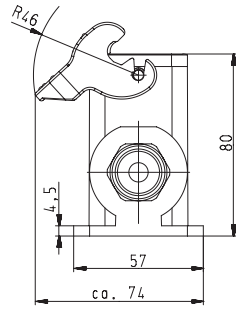
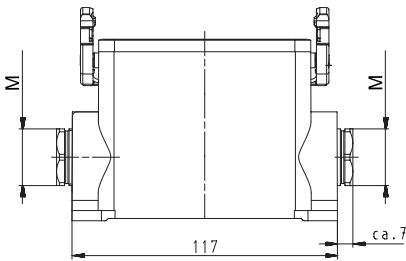
Contact inserts see the product matrix Page 26–27

All Bases on this page are also available in M40 design.
Part numbers available on request.

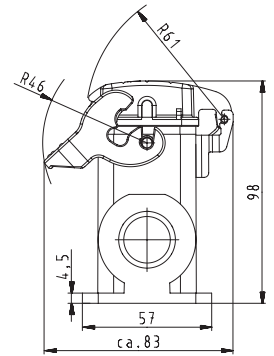
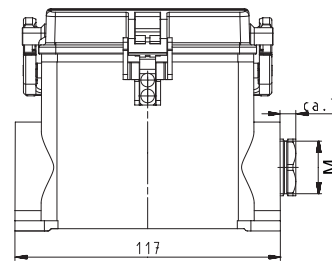
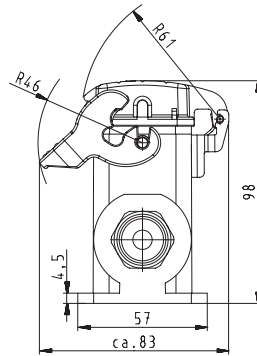
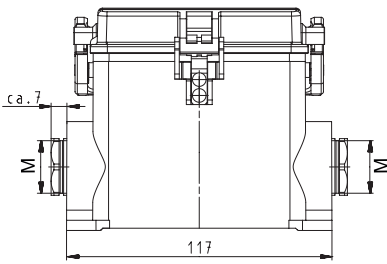
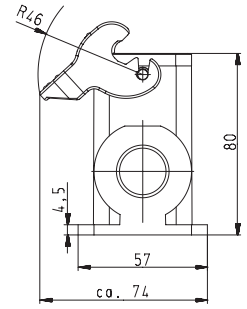
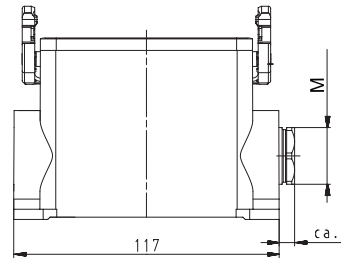
DIMENSIONS

Bases

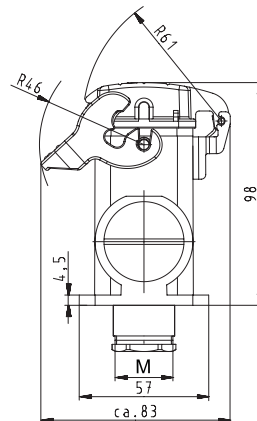
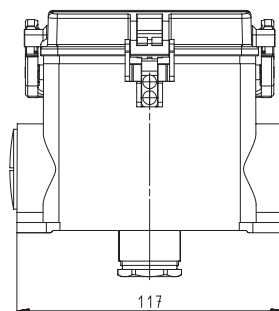
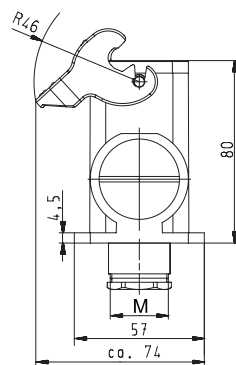
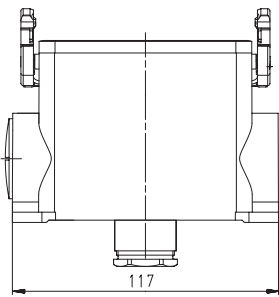
closed, 2 cable glands



closed, 1 cable gland



closed, 1 cable gland, bottom



REVOS BASIC · HOODS

Size 16, double locking lever



Lateral cable entry



Top cable entry

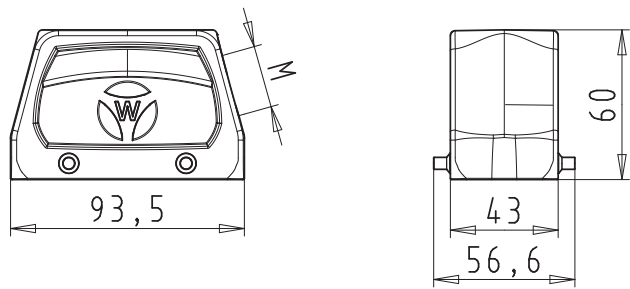
Description	Type	M	Part No.	P.U.
Hoods, size 16		Aluminum housing		
Lateral cable entry M25				
with cable gland, IP54, $\rightarrow \text{Ø} \leftarrow$ 8.5 – 17.5 mm	BAS GOT GA 16 M25 A0	25	70.350.1635.0	1
with threaded collar	BAS GOT GA 16 M25 A1	25	70.350.1635.1	1
Lateral cable entry M32				
with cable gland, IP54, $\rightarrow \text{Ø} \leftarrow$ 16 – 25 mm	BAS GOT GA 16 M32 A0	32	70.353.1635.0	1
with threaded collar	BAS GOT GA 16 M32 A1	32	70.353.1635.1	1
Top cable entry M25				
with cable gland, IP54, $\rightarrow \text{Ø} \leftarrow$ 8.5 – 17.5 mm	BAS GOT GC 16 M25 A0	25	70.352.1635.0	1
with threaded collar	BAS GOT GC 16 M25 A1	25	70.352.1635.1	1
Top cable entry M32				
with cable gland, IP54, $\rightarrow \text{Ø} \leftarrow$ 16 – 25 mm	BAS GOT GC 16 M32 A0	32	70.354.1635.0	1
with threaded collar	BAS GOT GC 16 M32 A1	32	70.354.1635.1	1

TECHNICAL DATA				
Material	Die cast aluminum alloy			
Surface	powder coated			
Locking levers	-			
Gasket	-			
Degree of protection				
with latched locking levers	IP54			
with appropriate cable glands	IP65			
Temperature range	-40 °C...+120 °C			
ACCESSORIES / Description	Type	M	Part No.	P.U.
Cable gland IP68, plastic material, gray	Connection range 7 – 16 mm	25	Z5.507.1553.0	10
Cable gland IP68, nickel-plated brass	Connection range 11 – 18 mm	25	Z5.507.1521.0	10
Cable gland IP68, plastic material, gray	Connection range 15 – 21 mm	32	Z5.507.1753.0	10
Cable gland IP68, nickel-plated brass	Connection range 15 – 21 mm	32	Z5.507.1721.0	10
Strain relief IP54, nickel-plated brass	Connection range 9 – 20 mm	25	Z5.507.9721.0	10
Strain relief IP54, nickel-plated brass	Connection range 17 – 26 mm	32	Z5.507.9821.0	10
Contact inserts see the product matrix			Page 26–27	

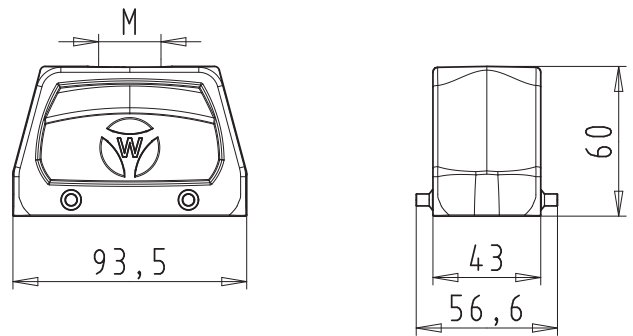
DIMENSIONS

Hoods

Size 16
Lateral cable entry



Size 16
Top cable entry



REVOS BASIC · HOODS

Size 16, double locking lever with locking levers



Lateral cable entry



Top cable entry



Multipole connectors for cable-to-cable couplings

Description	Type	M	Part No.	P.U.
Hoods, size 16	Aluminum housing			
Lateral cable entry M25				
with cable gland, IP54, $\rightarrow \text{Ø} \leftarrow$ 8.5 – 17.5 mm	BAS GOT GD 16 M25 A0	25	70.355.1635.0	1
with threaded collar	BAS GOT GD 16 M25 A1	25	70.355.1635.1	1
Lateral cable entry M32				
with cable gland, IP54, $\rightarrow \text{Ø} \leftarrow$ 16 – 25 mm	BAS GOT GD 16 M32 A0	32	70.358.1635.0	1
with threaded collar	BAS GOT GD 16 M32 A1	32	70.358.1635.1	1
Top cable entry M25				
with cable gland, IP54, $\rightarrow \text{Ø} \leftarrow$ 8.5 – 17.5 mm	BAS GOT GF 16 M25 A0	25	70.357.1635.0	1
with threaded collar	BAS GOT GF 16 M25 A1	25	70.357.1635.1	1
Top cable entry M32				
with cable gland, IP54, $\rightarrow \text{Ø} \leftarrow$ 16 – 25 mm	BAS GOT GF 16 M32 A0	32	70.359.1635.0	1
with threaded collar	BAS GOT GF 16 M32 A1	32	70.359.1635.1	1
Multipole connectors for cable-to-cable couplings M25				
with cable gland, IP54, $\rightarrow \text{Ø} \leftarrow$ 8.5 – 17.5 mm	BAS GOT GC 16 M25 A0	25	70.352.1635.0	1
with cable gland, IP54, $\rightarrow \text{Ø} \leftarrow$ 8.5 – 17.5 mm Locking levers and gasket	BAS GOT GK 16 M25 A0	25	70.372.1635.0	1
with threaded collar	BAS GOT GC 16 M25 A1	25	70.352.1635.1	1
with threaded collar, locking levers and gasket	BAS GOT GK 16 M25 A1	25	70.372.1635.1	1

TECHNICAL DATA

Material	Die cast aluminum alloy
Surface	powder coated
Locking levers	Handle: Polyamide, UL94-V0; stainless steel: V2A
Gasket for multipole connectors	NBR
Degree of protection	
with latched locking levers	IP54
with appropriate cable glands	IP65
Temperature range	-40 °C...+120 °C

ACCESSORIES / Description	Type	M	Part No.	P.U.
Cable gland IP68, plastic material, gray	Connection range 7 – 16 mm	25	Z5.507.1553.0	10
Cable gland IP68, nickel-plated brass	Connection range 11 – 18 mm	25	Z5.507.1521.0	10
Cable gland IP68, plastic material, gray	Connection range 15 – 21 mm	32	Z5.507.1753.0	10
Cable gland IP68, nickel-plated brass	Connection range 15 – 21 mm	32	Z5.507.1721.0	10
Strain relief IP54, nickel-plated brass	Connection range 9 – 20 mm	25	Z5.507.9721.0	10
Strain relief IP54, nickel-plated brass	Connection range 17 – 26 mm	32	Z5.507.9821.0	10

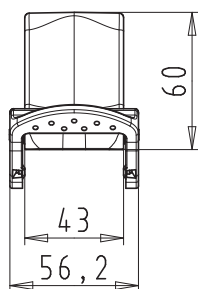
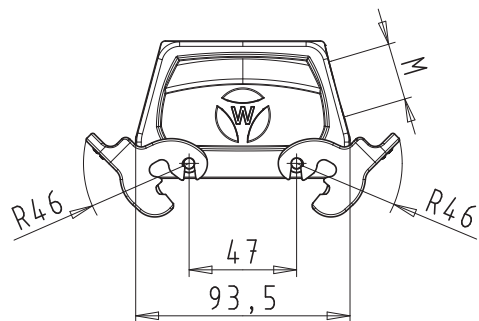
Contact inserts see the product matrix

Page 26–27

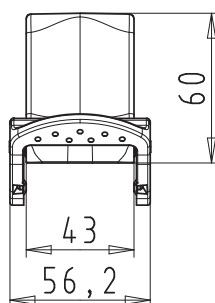
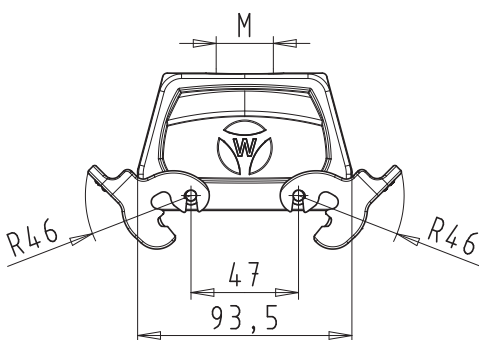
DIMENSIONS

Hoods with Locking levers

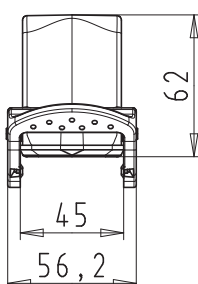
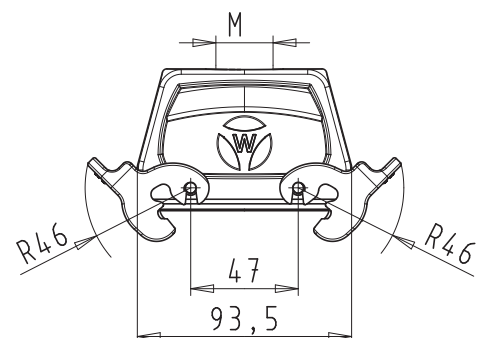
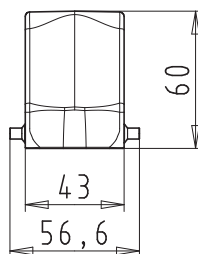
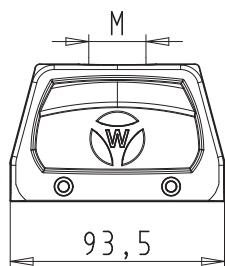
Lateral cable entry



Top cable entry



Multipole connectors for cable-to-cable couplings



REVOS BASIC · HOODS

Size 16H, increased height design, double locking lever



Lateral cable entry



Top cable entry



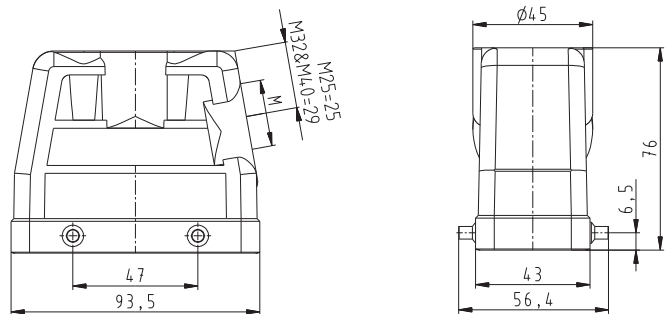
Multipole entry for cable-to-cable couplings

Description	Type	M	Part No.	P.U.
Hoods, size 16H		Aluminum housing		
Lateral cable entry M25				
with cable gland, IP54, $\rightarrow \text{Ø} \leftarrow$ 8.5 – 17.5 mm	BAS GOT GA 16H M25 A0	25	73.350.4035.0	1
with threaded collar	BAS GOT GA 16H M25 A1	25	73.350.4035.1	1
Lateral cable entry M32				
with cable gland, IP54, $\rightarrow \text{Ø} \leftarrow$ 16 – 25 mm	BAS GOT GA 16H M32 A0	32	73.353.4035.0	1
with threaded collar	BAS GOT GA 16H M32 A1	32	73.353.4035.1	1
Lateral cable entry M40				
with cable gland, IP54, $\rightarrow \text{Ø} \leftarrow$ 23 – 32 mm	BAS GOT GA 16H M40 A0	40	73.360.4035.0	1
with threaded collar	BAS GOT GA 16H M40 A1	40	73.360.4035.1	1
Top cable entry M25				
with cable gland, IP54, $\rightarrow \text{Ø} \leftarrow$ 8.5 – 17.5 mm	BAS GOT GC 16H M25 A0	25	73.352.4035.0	1
with threaded collar	BAS GOT GC 16H M25 A1	25	73.352.4035.1	1
Top cable entry M32				
with cable gland, IP54, $\rightarrow \text{Ø} \leftarrow$ 16 – 25 mm	BAS GOT GC 16H M32 A0	32	73.354.4035.0	1
with threaded collar	BAS GOT GC 16H M32 A1	32	73.354.4035.1	1
Top cable entry M40				
with threaded collar	BAS GOT GC 16H M40 A1	40	73.362.4035.1	1
Multipole connectors for cable-to-cable couplings M32				
with threaded collar, locking levers and gasket	BAS GOT GK 16H M32 A1	32	73.374.4035.1	1
TECHNICAL DATA				
Material	Die cast aluminum alloy			
Surface	powder coated			
Locking levers	Handle: Polyamide, UL94-V0; stainless steel: V2A			
Gasket	NBR			
Degree of protection				
with latched locking levers	IP54			
with appropriate cable glands	IP65			
Temperature range	-40 °C...+120 °C			
ACCESSORIES / Description				
Cable gland IP68, plastic material, gray	Connection range 7 – 16 mm	25	Z5.507.1553.0	10
Cable gland IP68, nickel-plated brass	Connection range 11 – 18 mm	25	Z5.507.1521.0	10
Cable gland IP68, plastic material, gray	Connection range 15 – 21 mm	32	Z5.507.1753.0	10
Cable gland IP68, nickel-plated brass	Connection range 15 – 21 mm	32	Z5.507.1721.0	10
Cable gland IP68, plastic material, gray	Connection range 19 – 28 mm	40	Z5.507.1953.0	1
Cable gland IP68, nickel-plated brass	Connection range 19 – 27 mm	40	Z5.507.1921.0	1
Strain relief IP54, nickel-plated brass	Connection range 9 – 20 mm	25	Z5.507.9721.0	10
Strain relief IP54, nickel-plated brass	Connection range 17 – 26 mm	32	Z5.507.9821.0	10
Contact inserts see the product matrix			Page 26–27	

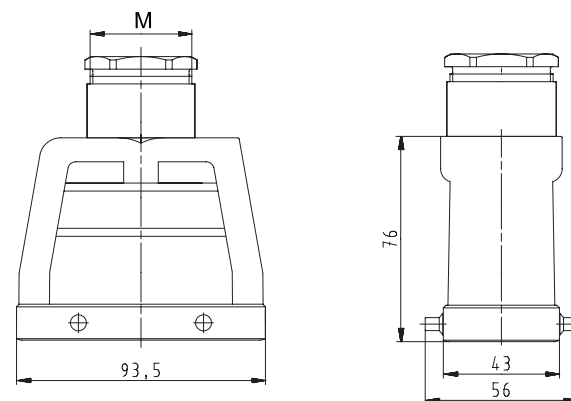
DIMENSIONS

Hoods

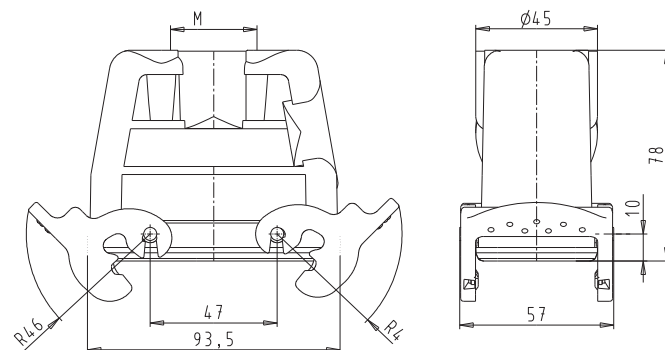
Lateral cable entry



Top cable entry



Multipole connectors for cable-to-cable couplings



REVOS BASIC · HOODS

Size 16H, increased height design, double locking lever with locking levers



Lateral cable entry



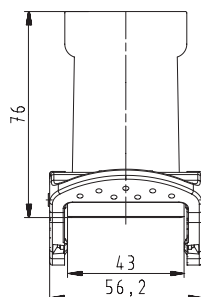
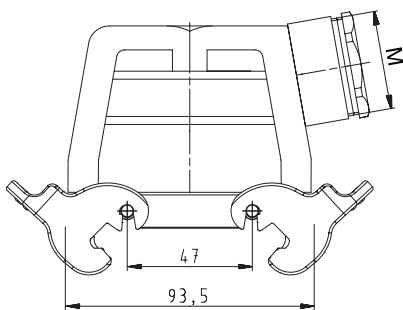
Top cable entry

Description	Type	M	Part No.	P.U.
Hoods, size 16H	Aluminum housing			
Lateral cable entry M25				
with threaded collar	BAS GOT GD 16H M25 A1	25	73.355.4035.1	1
Lateral cable entry M32				
with cable gland, IP54, $\rightarrow \leftarrow$ 16 – 25 mm	BAS GOT GD 16H M32 A0	32	73.358.4035.0	1
with threaded collar	BAS GOT GD 16H M32 A1	32	73.358.4035.1	1
Top cable entry M25				
with cable gland, IP54, $\rightarrow \leftarrow$ 8.5 – 17.5 mm	BAS GOT GF 16H M25 A0	25	73.357.4035.0	1
with threaded collar	BAS GOT GF 16H M25 A1	25	73.357.4035.1	1
Top cable entry M32				
with cable gland, IP54, $\rightarrow \leftarrow$ 16 – 25 mm	BAS GOT GF 16H M32 A0	32	73.359.4035.0	1
with threaded collar	BAS GOT GF 16H M32 A1	32	73.359.4035.1	1
TECHNICAL DATA				
Material metal/plastic	Die cast aluminum alloy			
Surface	powder coated			
Locking levers	Handle: Polyamide, UL94-V0; stainless steel: V2A			
Gasket	-			
Degree of protection				
with latched locking levers	IP54			
with appropriate cable glands	IP65			
Temperature range	-40 °C...+120 °C			
ACCESSORIES / Description	Type	M	Part No.	P.U.
Cable gland IP68, plastic material, gray	Connection range 7 – 16 mm	25	Z5.507.1553.0	10
Cable gland IP68, nickel-plated brass	Connection range 11 – 18 mm	25	Z5.507.1521.0	10
Cable gland IP68, plastic material, gray	Connection range 15 – 21 mm	32	Z5.507.1753.0	10
Cable gland IP68, nickel-plated brass	Connection range 15 – 21 mm	32	Z5.507.1721.0	10
Strain relief IP54, nickel-plated brass	Connection range 9 – 20 mm	25	Z5.507.9721.0	10
Strain relief IP54, nickel-plated brass	Connection range 17 – 26 mm	32	Z5.507.9821.0	10
Contact inserts see the product matrix			Page 26–27	

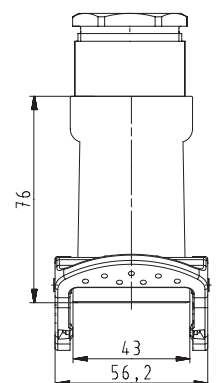
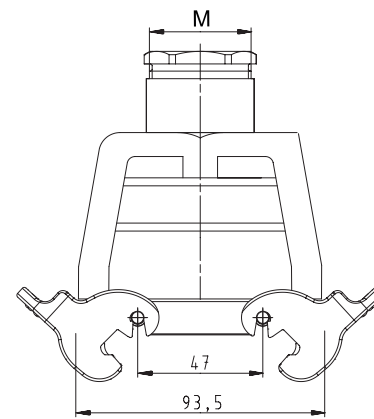
DIMENSIONS

Hoods

Lateral cable entry



Top cable entry



REVOS BASIC · HOODS

Size 16XL, double locking lever



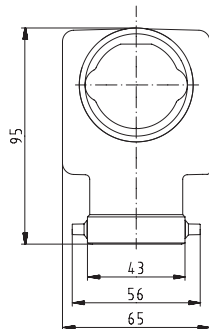
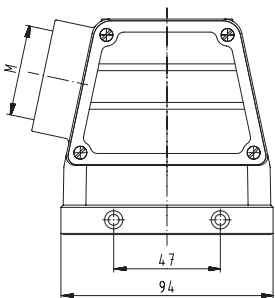
Lateral cable entry with intermediate support

Description	Type	M	Part No.	P.U.
Hoods, size 16XL	Aluminum housing			
Lateral cable entry M40				
with intermediate support	POW GOT GA 16 M40 69 A2 40	72.250.1635.2	1	
TECHNICAL DATA				
Material	Die cast aluminum alloy			
Surface	powder coated			
Locking levers	-			
Gasket	-			
Degree of protection				
with latched locking levers	-			
with appropriate cable glands	IP65			
Temperature range	-40 °C...+120 °C			
ACCESSORIES / Description				
Cable gland IP68, plastic material, gray	Connection range 19 – 28 mm	40	Z5.507.1953.0	1
Cable gland IP68, nickel-plated brass	Connection range 19 – 27 mm	40	Z5.507.1921.0	1
Contact inserts see the product matrix			Page 26–27	

DIMENSIONS

Hoods

Lateral cable entry



REVOS BASIC · BASES

Size 16, double locking lever



open, with or without cover



closed, with or without cover,
1 cable gland, lateral



closed, with or without cover,
1 cable gland, bottom

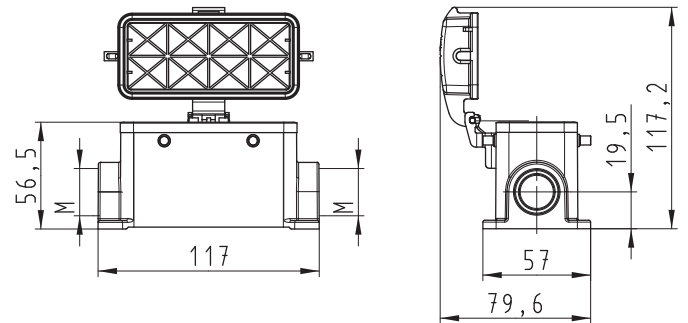
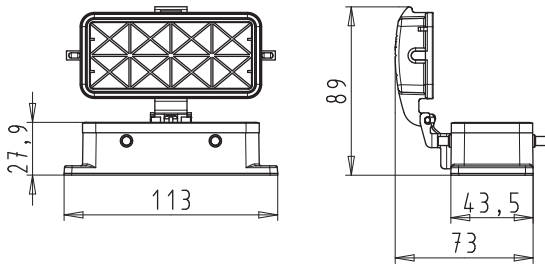
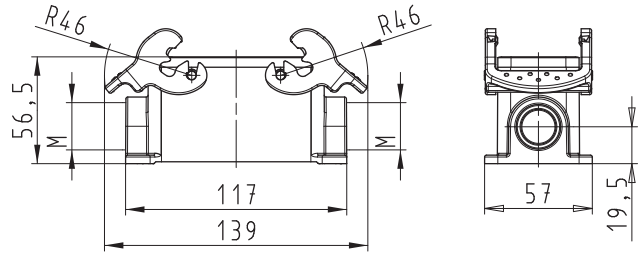
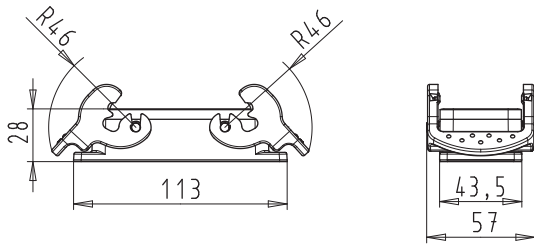
Description	Type	M	Part No.	P.U.
Bases, size 16		Aluminum housing		
Open-bottom base				
without cover	BAS GUT GA 16 A		70.320.1628.0	1
with cover	BAS GUT GE 16 A		70.325.1628.0	1
Closed-bottom base				
2 cable entries, 2 x M25				
without cover				
with cable gland, IP54, $\rightarrow \varnothing \leftarrow$ 8.5 – 17.5 mm	BAS GUT GB 16 M25 A0	25	70.330.1635.0	1
with threaded collar	BAS GUT GB 16 M25 A1	25	70.330.1635.1	1
with cover				
with cable gland, IP54, $\rightarrow \varnothing \leftarrow$ 8.5 – 17.5 mm	BAS GUT GF 16 M25 A0	25	70.340.1635.0	1
with threaded collar	BAS GUT GF 16 M25 A1	25	70.340.1635.1	1
1 cable entry, left, 1 x M25				
without cover				
with cable gland, IP54, $\rightarrow \varnothing \leftarrow$ 8.5 – 17.5 mm	BAS GUT GC 16 M25 A0	25	70.331.1635.0	1
with threaded collar	BAS GUT GC 16 M25 A1	25	70.331.1635.1	1
with cover				
with cable gland, IP54, $\rightarrow \varnothing \leftarrow$ 8.5 – 17.5 mm	BAS GUT GG 16 M25 A0	25	70.341.1635.0	1
with threaded collar	BAS GUT GG 16 M25 A1	25	70.341.1635.1	1
1 cable entry, right, 1 x M25				
with cover				
with cable gland, IP54, $\rightarrow \varnothing \leftarrow$ 8.5 – 17.5 mm	BAS GUT GH 16 M25 A0	25	70.342.1635.0	1
with threaded collar	BAS GUT GH 16 M25 A1	25	70.342.1635.1	1
1 cable entry, bottom, 1 x M25				
without cover				
with cable gland, IP54, $\rightarrow \varnothing \leftarrow$ 8.5 – 17.5 mm	BAS GUT GD 16 M25 A0	25	70.333.1635.0	1
with threaded collar	BAS GUT GD 16 M25 A1	25	70.333.1635.1	1
with cover				
with cable gland, IP54, $\rightarrow \varnothing \leftarrow$ 8.5 – 17.5 mm	BAS GUT GI 16 M25 A0	25	70.343.1635.0	1
with threaded collar	BAS GUT GI 16 M25 A1	25	70.343.1635.1	1
TECHNICAL DATA				
Material	Die cast aluminum alloy			
Surface	powder coated			
Locking levers	Handle: Polyamide, UL94-V0; stainless steel: V2A			
Gasket	NBR			
Degree of protection				
with latched locking levers	IP54			
with appropriate cable glands	IP65			
Temperature range	-40 °C...+120 °C			
ACCESSORIES / Description				
Cable gland IP68, plastic material, gray	Connection range 7 – 16 mm	25	Z5.507.1553.0	10
Cable gland IP68, nickel-plated brass	Connection range 11 – 18 mm	25	Z5.507.1521.0	10
Contact inserts see the product matrix				Page 26–27

DIMENSIONS

Bases

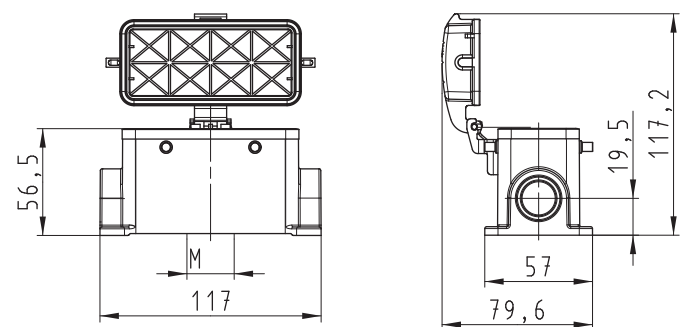
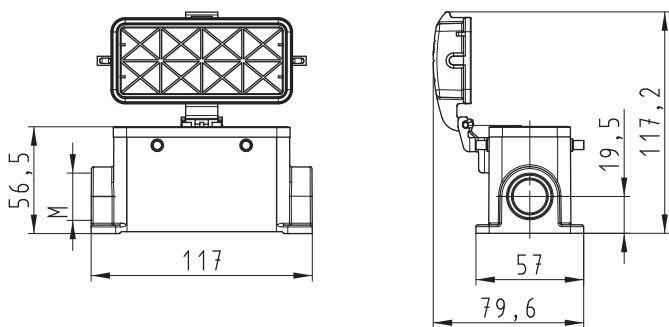
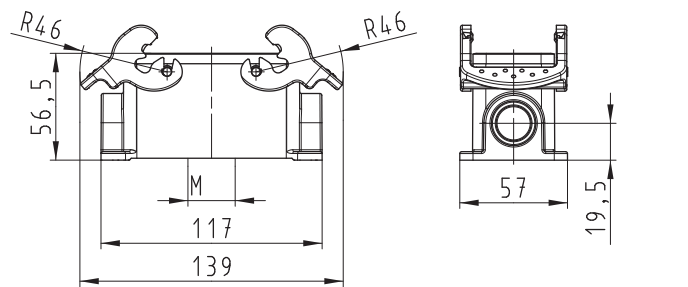
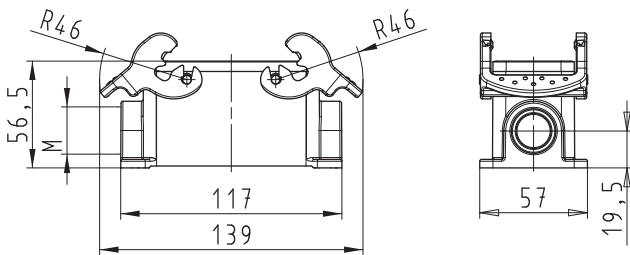
open

closed, 2 cable glands



closed, 1 cable gland

closed, 1 cable gland, bottom



REVOS BASIC · BASES

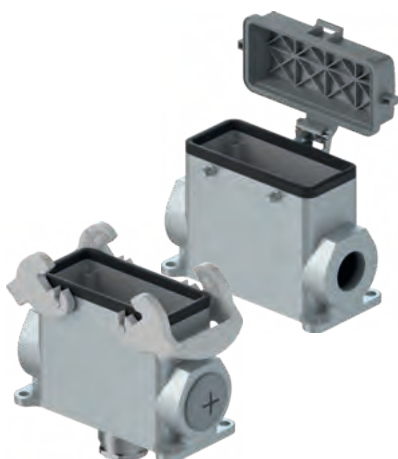
Size 16H, increased height design, double locking lever



closed M25, with or without cover
2 cable glands



closed M32, with or without cover
2 cable glands



closed M25, with or without cover
1 cable gland, bottom

Description	Type	M	Part No.	P.U.
Bases, size 16H	Aluminum housing			
Closed-bottom base				
2 cable entries, 2 x M25				
without cover				
with cable gland, IP54, $\rightarrow \text{Ø} \leftarrow 8.5 - 17.5 \text{ mm}$	BAS GUT GB 16H M25 A0	25	73.330.4035.0	1
with threaded collar	BAS GUT GB 16H M25 A1	25	73.330.4035.1	1
with cover				
with cable gland, IP54, $\rightarrow \text{Ø} \leftarrow 8.5 - 17.5 \text{ mm}$	BAS GUT GF 16H M25 A0	25	73.340.4035.0	1
with threaded collar	BAS GUT GF 16H M25 A1	25	73.340.4035.1	1
2 cable entries, 2 x M32				
without cover				
with cable gland, IP54, $\rightarrow \text{Ø} \leftarrow 16 - 25 \text{ mm}$	BAS GUT GB 16H M32 A0	32	73.334.4035.0	1
with threaded collar	BAS GUT GB 16H M32 A1	32	73.334.4035.1	1
with cover				
with cable gland, IP54, $\rightarrow \text{Ø} \leftarrow 16 - 25 \text{ mm}$	BAS GUT GF 16H M32 A0	32	73.344.4035.0	1
with threaded collar	BAS GUT GF 16H M32 A1	32	73.344.4035.1	1
2 cable entries, 2 x M40				
without cover				
with threaded collar	BAS GUT GB 16H M40 A1	40	73.338.4035.1	1
1 cable entry, left, 1 x M25				
without cover				
with cable gland, IP54, $\rightarrow \text{Ø} \leftarrow 8.5 - 17.5 \text{ mm}$	BAS GUT GC 16H M25 A0	25	73.331.4035.0	1
with threaded collar	BAS GUT GC 16H M25 A1	25	73.331.4035.1	1
with cover				
with cable gland, IP54, $\rightarrow \text{Ø} \leftarrow 8.5 - 17.5 \text{ mm}$	BAS GUT GG 16H M25 A0	25	73.341.4035.0	1
with threaded collar	BAS GUT GG 16H M25 A1	25	73.341.4035.1	1
1 cable entry, left, 1 x M32				
without cover				
with cable gland, IP54, $\rightarrow \text{Ø} \leftarrow 16 - 25 \text{ mm}$	BAS GUT GC 16H M32 A0	32	73.335.4035.0	1
with threaded collar	BAS GUT GC 16H M32 A1	32	73.335.4035.1	1
with cover				
with cable gland, IP54, $\rightarrow \text{Ø} \leftarrow 16 - 25 \text{ mm}$	BAS GUT GG 16H M32 A0	32	73.345.4035.0	1
with threaded collar	BAS GUT GG 16H M32 A1	32	73.345.4035.1	1
1 cable entry, left, 1 x M40				
without cover				
with threaded collar	BAS GUT GC 16H M40 A1	40	73.339.4035.1	1
1 cable entry, right, 1 x M25				
with cover				
with threaded collar	BAS GUT GH 16H M25 A1	25	73.342.4035.1	1
1 cable entry, right, 1 x M32				
with cover				
with cable gland, IP54, $\rightarrow \text{Ø} \leftarrow 16 - 25 \text{ mm}$	BAS GUT GH 16H M32 A0	32	73.346.4035.0	1
with threaded collar	BAS GUT GH 16H M32 A1	32	73.346.4035.1	1
1 cable entry, bottom, 1 x M25				
without cover				
with cable gland, IP54, $\rightarrow \text{Ø} \leftarrow 8.5 - 17.5 \text{ mm}$	BAS GUT GD 16H M25 A0	25	73.333.4035.0	1
with threaded collar	BAS GUT GD 16H M25 A1	25	73.333.4035.1	1
1 cable entry, bottom, 1 x M32				
without cover				
with cable gland, IP54, $\rightarrow \text{Ø} \leftarrow 16 - 25 \text{ mm}$	BAS GUT GD 16H M32 A0	32	73.337.4035.0	1
with threaded collar	BAS GUT GD 16H M32 A1	32	73.337.4035.1	1
with cover				
with cable gland, IP54, $\rightarrow \text{Ø} \leftarrow 16 - 25 \text{ mm}$	BAS GUT GI 16H M32 A0	32	73.347.4035.0	1
with threaded collar	BAS GUT GI 16H M32 A1	32	73.347.4035.1	1
TECHNICAL DATA				
Material	Die cast aluminum alloy			
Surface	powder coated			
Locking levers	Handle: Polyamide, UL94-V0; stainless steel: V2A			
Gasket	NBR			
Degree of protection				
with latched locking levers	IP54			
with appropriate cable glands	IP65			
Temperature range	-40 °C...+120 °C			
ACCESSORIES / Description	Type	M	Part No.	P.U.
Cable gland IP68, plastic material, gray	Connection range 7 - 16 mm	25	Z5.507.1553.0	10
Cable gland IP68, nickel-plated brass	Connection range 11 - 18 mm	25	Z5.507.1521.0	10
Cable gland IP68, plastic material, gray	Connection range 15 - 21 mm	32	Z5.507.1753.0	10
Cable gland IP68, nickel-plated brass	Connection range 15 - 21 mm	32	Z5.507.1721.0	10
Cable gland IP68, plastic material, gray	Connection range 19 - 28 mm	40	Z5.507.1953.0	10
Cable gland IP68, nickel-plated brass	Connection range 19 - 27 mm	40	Z5.507.1921.0	10
Contact inserts see the product matrix	Page 26-27			

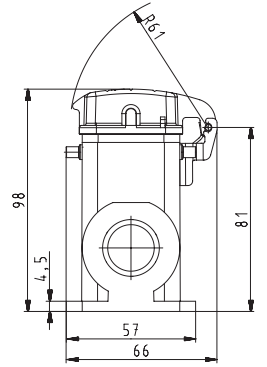
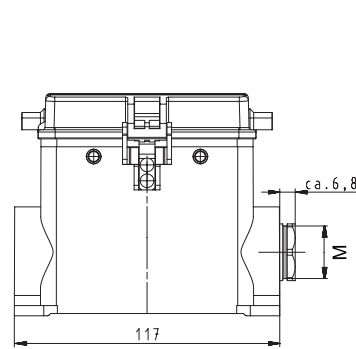
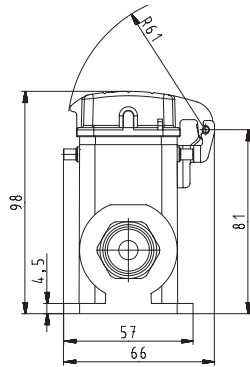
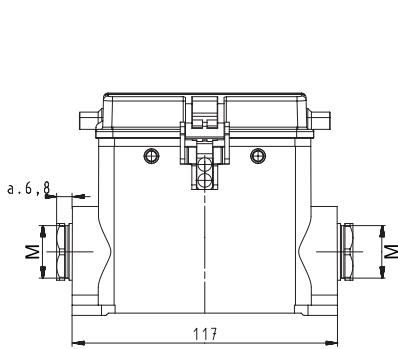
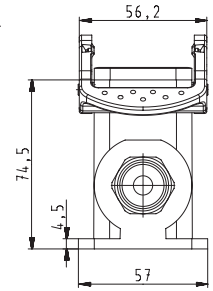
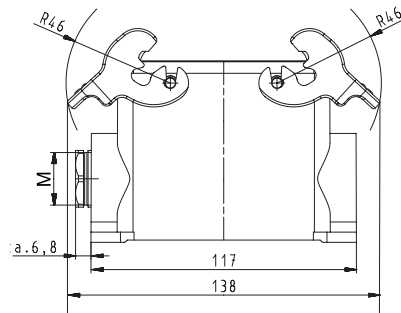
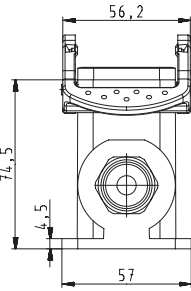
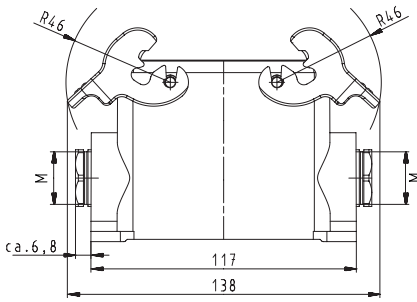
All Bases on this page are also available in M40 design.
Part numbers available on request.

DIMENSIONS

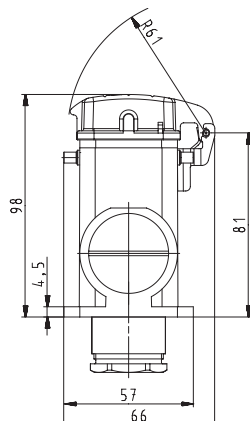
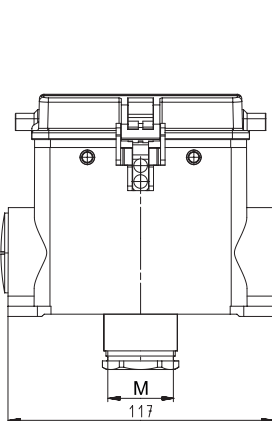
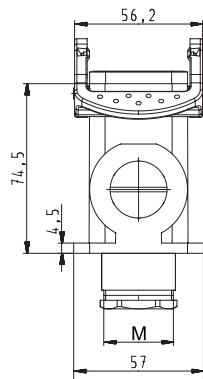
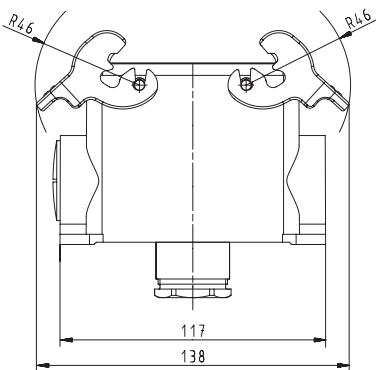
Bases

closed, 2 cable glands

closed, 1 cable gland



closed, 1 cable gland, bottom



REVOS BASIC · HOODS

Size 24, single locking lever



Lateral cable entry



Top cable entry



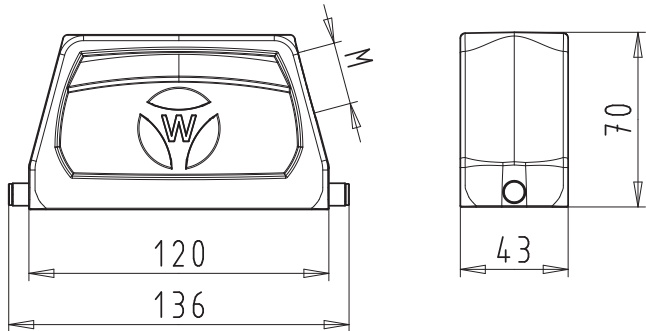
Multipole connectors for cable-to-cable couplings

Description	Type	M	Part No.	P.U.
Hoods, size 24		Aluminum housing		
Lateral cable entry M25				
with cable gland, IP54, $\rightarrow \varnothing \leftarrow$ 8.5 – 17.5 mm	BAS GOT GG 24 M25 A0	25	71.350.2435.0	1
with threaded collar	BAS GOT GG 24 M25 A1	25	71.350.2435.1	1
Lateral cable entry M32				
with cable gland, IP54, $\rightarrow \varnothing \leftarrow$ 16 – 25 mm	BAS GOT GG 24 M32 A0	32	71.353.2435.0	1
with threaded collar	BAS GOT GG 24 M32 A1	32	71.353.2435.1	1
Top cable entry M25				
with cable gland, IP54, $\rightarrow \varnothing \leftarrow$ 8.5 – 17.5 mm	BAS GOT GI 24 M25 A0	25	71.352.2435.0	1
with threaded collar	BAS GOT GI 24 M25 A1	25	71.352.2435.1	1
Top cable entry M32				
with cable gland, IP54, $\rightarrow \varnothing \leftarrow$ 16 – 25 mm	BAS GOT GI 24 M32 A0	32	71.354.2435.0	1
with threaded collar	BAS GOT GI 24 M32 A1	32	71.354.2435.1	1
Multipole connectors for cable-to-cable couplings M25				
with cable gland, IP54, $\rightarrow \varnothing \leftarrow$ 8.5 – 17.5 mm	BAS GOT GI 24 M25 A0	25	71.352.2435.0	1
with cable gland, IP54, $\rightarrow \varnothing \leftarrow$ 8.5 – 17.5 mm Locking levers and gasket	BAS GOT GL 24 M25 A0	25	71.372.2435.0	1
with threaded collar	BAS GOT GI 24 M25 A1	25	71.352.2435.1	1
with threaded collar Locking levers and gasket	BAS GOT GL 24 M25 A1	25	71.372.2435.1	1
Multipole connectors for cable-to-cable couplings M32				
with cable gland, IP54, $\rightarrow \varnothing \leftarrow$ 16 – 25 mm	BAS GOT GI 24 M32 A0	32	71.354.2435.0	1
with cable gland, IP54, $\rightarrow \varnothing \leftarrow$ 16 – 25 mm Locking levers and gasket	BAS GOT GL 24 M32 A0	32	71.374.2435.0	1
TECHNICAL DATA				
Material	Die cast aluminum alloy			
Surface	powder coated			
Locking levers at multipole connectors	Handle: Polyamide, UL94-V0; stainless steel: V2A			
Gasket at multipole connectors	NBR			
Degree of protection				
with latched locking levers	IP54			
with appropriate cable glands	IP65			
Temperature range	-40 °C...+120 °C			
ACCESSORIES / Description				
Cable gland IP68, plastic material, gray	Connection range 7 – 16 mm	25	Z5.507.1553.0	10
Cable gland IP68, nickel-plated brass	Connection range 11 – 18 mm	25	Z5.507.1521.0	10
Cable gland IP68, plastic material, gray	Connection range 15 – 21 mm	32	Z5.507.1753.0	10
Cable gland IP68, nickel-plated brass	Connection range 15 – 21 mm	32	Z5.507.1721.0	10
Strain relief IP54, nickel-plated brass	Connection range 9 – 20 mm	25	Z5.507.9721.0	10
Strain relief IP54, nickel-plated brass	Connection range 17 – 26 mm	32	Z5.507.9821.0	10
Contact inserts see the product matrix			Page 26–27	

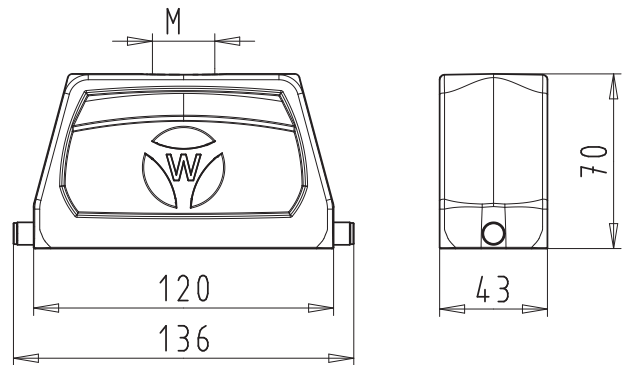
DIMENSIONS

Hoods

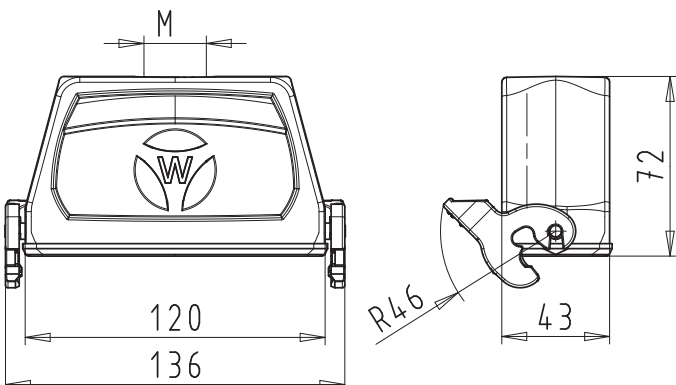
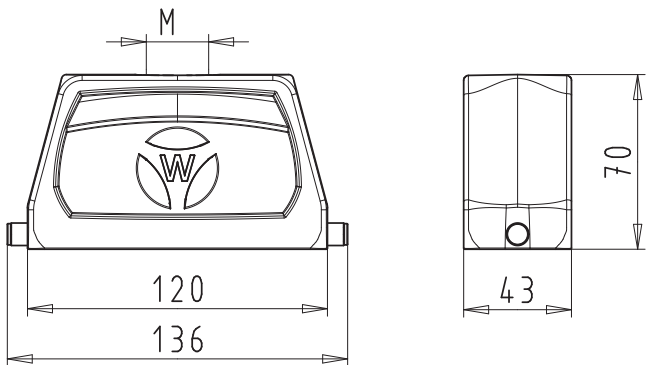
Lateral cable entry



Top cable entry



Multipole connectors for cable-to-cable couplings



REVOS BASIC · HOODS

Size 24H, increased height design, single locking lever



Lateral cable entry



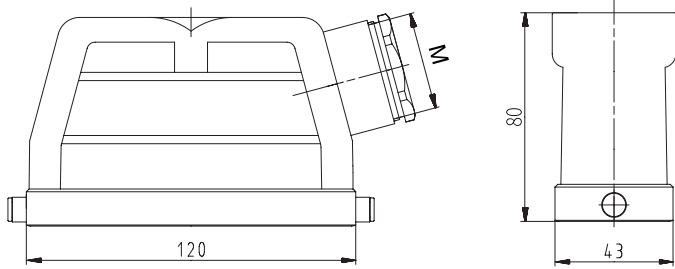
Top cable entry

Description	Type	M	Part No.	P.U.
Hoods, size 24H		Aluminum housing		
Lateral cable entry M25				
with cable gland, IP54, $\rightarrow \text{Ø} \leftarrow$ 8.5 – 17.5 mm	BAS GOT GG 24H M25 A0	25	76.350.6435.0	1
with threaded collar	BAS GOT GG 24H M25 A1	25	76.350.6435.1	1
Lateral cable entry M32				
with cable gland, IP54, $\rightarrow \text{Ø} \leftarrow$ 16 – 25 mm	BAS GOT GG 24H M32 A0	32	76.353.6435.0	1
with threaded collar	BAS GOT GG 24H M32 A1	32	76.353.6435.1	1
Lateral cable entry M40				
with threaded collar	BAS GOT GG 24H M40 A1	40	76.360.6435.1	1
Top cable entry M25				
with cable gland, IP54, $\rightarrow \text{Ø} \leftarrow$ 8.5 – 17.5 mm	BAS GOT GI 24H M25 A0	25	76.352.6435.0	1
with threaded collar	BAS GOT GI 24H M25 A1	25	76.352.6435.1	1
Top cable entry M32				
with cable gland, IP54, $\rightarrow \text{Ø} \leftarrow$ 16 – 25 mm	BAS GOT GI 24H M32 A0	32	76.354.6435.0	1
with threaded collar	BAS GOT GI 24H M32 A1	32	76.354.6435.1	1
Top cable entry M40				
with threaded collar	BAS GOT GI 24H M40 A1	40	76.362.6435.1	1
TECHNICAL DATA				
Material metal/plastic	Die cast aluminum alloy			
Surface	powder coated			
Locking levers	-			
Gasket	-			
Degree of protection				
with latched locking levers	IP54			
with appropriate cable glands	IP65			
Temperature range	-40 °C...+120 °C			
ACCESSORIES / Description				
Cable gland IP68, plastic material, gray	Connection range 7 – 16 mm	25	Z5.507.1553.0	10
Cable gland IP68, nickel-plated brass	Connection range 11 – 18 mm	25	Z5.507.1521.0	10
Cable gland IP68, plastic material, gray	Connection range 15 – 21 mm	32	Z5.507.1753.0	10
Cable gland IP68, nickel-plated brass	Connection range 15 – 21 mm	32	Z5.507.1721.0	10
Cable gland IP68, plastic material, gray	Connection range 16 – 28 mm	40	Z5.507.1953.0	1
Cable gland IP68, nickel-plated brass	Connection range 19 – 27 mm	40	Z5.507.1921.0	1
Strain relief IP54, nickel-plated brass	Connection range 9 – 20 mm	25	Z5.507.9721.0	10
Strain relief IP54, nickel-plated brass	Connection range 17 – 26 mm	32	Z5.507.9821.0	10
Contact inserts see the product matrix			Page 26–27	

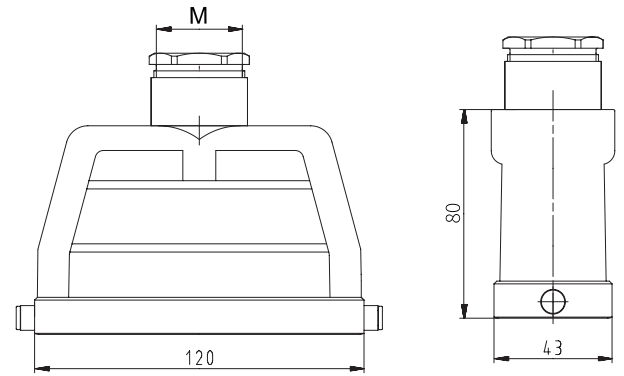
DIMENSIONS

Hoods

Lateral cable entry



Top cable entry



REVOS BASIC · BASES

Size 24, single locking lever



open, with or without cover



closed, with or without cover,
1 cable entry, lateral cable entry



closed, with or without cover,
1 cable gland, bottom

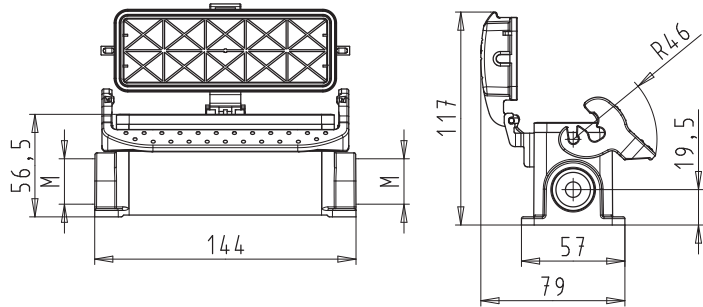
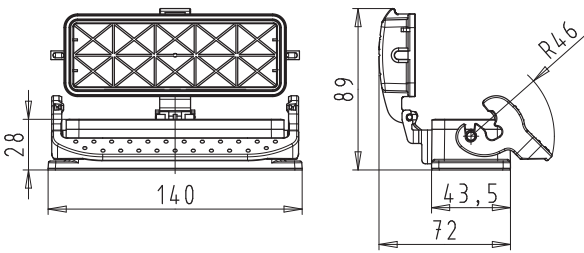
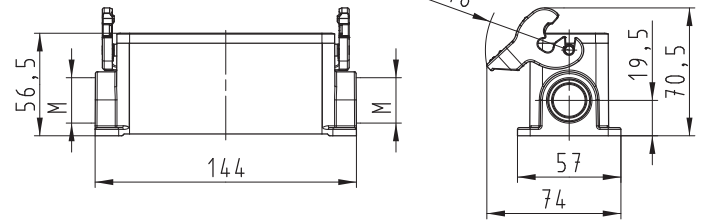
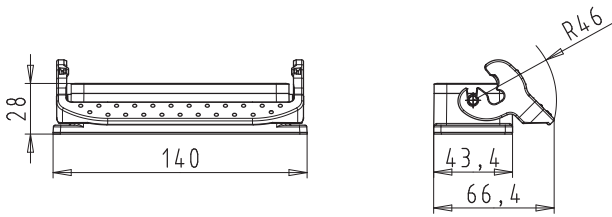
Description	Type	M	Part No.	P.U.
Bases, size 24	Aluminum housing			
Open-bottom base	BAS GUT GK 24 A		71.320.2428.0	1
without cover	BAS GUT GP 24 A		71.325.2428.0	1
with cover				
Closed-bottom base				
2 cable entries, 2 x M25				
without cover	BAS GUT GL 24 M25 A0	25	71.330.2435.0	1
with cable gland, IP54, $\rightarrow \text{Ø} \leftarrow 8.5 - 17.5 \text{ mm}$	BAS GUT GL 24 M25 A1	25	71.330.2435.1	1
with threaded collar				
with cover	BAS GUT GR 24 M25 A0	25	71.340.2435.0	1
with cable gland, IP54, $\rightarrow \text{Ø} \leftarrow 8.5 - 17.5 \text{ mm}$	BAS GUT GR 24 M25 A1	25	71.340.2435.1	1
with threaded collar				
1 cable entry, left, 1 x M25				
without cover	BAS GUT GM 24 M25 A0	25	71.331.2435.0	1
with cable gland, IP54, $\rightarrow \text{Ø} \leftarrow 8.5 - 17.5 \text{ mm}$	BAS GUT GM 24 M25 A1	25	71.331.2435.1	1
with threaded collar				
with cover	BAS GUT GS 24 M25 A0	25	71.341.2435.0	1
with cable gland, IP54, $\rightarrow \text{Ø} \leftarrow 8.5 - 17.5 \text{ mm}$	BAS GUT GS 24 M25 A1	25	71.341.2435.1	1
with threaded collar				
1 cable entry, right, 1 x M25				
with cover	BAS GUT GT 24 M25 A0	25	71.342.2435.0	1
with cable gland, IP54, $\rightarrow \text{Ø} \leftarrow 8.5 - 17.5 \text{ mm}$	BAS GUT GT 24 M25 A1	25	71.342.2435.1	1
with threaded collar				
1 cable entry, bottom, 1 x M25				
without cover	BAS GUT GO 24 M25 A0	25	71.333.2435.0	1
with cable gland, IP54, $\rightarrow \text{Ø} \leftarrow 8.5 - 17.5 \text{ mm}$	BAS GUT GO 24 M25 A1	25	71.333.2435.1	1
with threaded collar				
with cover	BAS GUT GU 24 M25 A0	25	71.343.2435.0	1
with cable gland, IP54, $\rightarrow \text{Ø} \leftarrow 8.5 - 17.5 \text{ mm}$	BAS GUT GU 24 M25 A1	25	71.343.2435.1	1
with threaded collar				
TECHNICAL DATA				
Material	Die cast aluminum alloy			
Surface	powder coated			
Locking levers	Handle: Polyamide, UL94-V0; stainless steel: V2A			
Gasket	NBR			
Degree of protection				
with latched locking levers	IP54			
with appropriate cable glands	IP65			
Temperature range	-40 °C...+120 °C			
ACCESSORIES / Description	Type	M	Part No.	P.U.
Cable gland IP68, plastic material, gray	Connection range 7 – 16 mm	25	Z5.507.1553.0	10
Cable gland IP68, nickel-plated brass	Connection range 11 – 18 mm	25	Z5.507.1521.0	10
Contact inserts see the product matrix				Page 26–27

DIMENSIONS

Bases

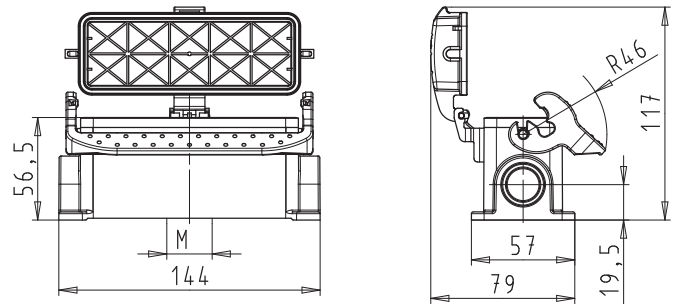
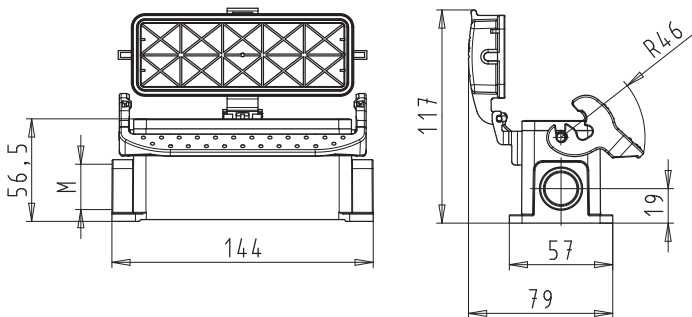
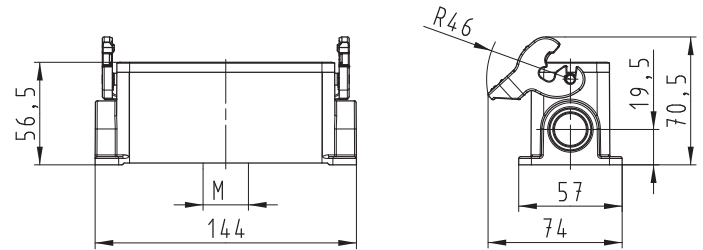
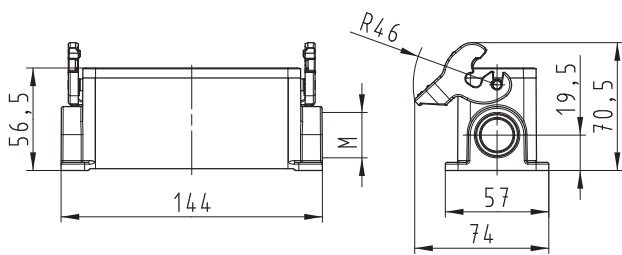
open

closed, 2 cable glands



closed, 1 cable gland, lateral cable entry

closed, 1 cable gland, bottom



REVOS BASIC · BASES

Size 24H, increased height design, single locking lever



closed, with or without cover
2 cable glands



closed, with or without cover
1 cable gland, bottom

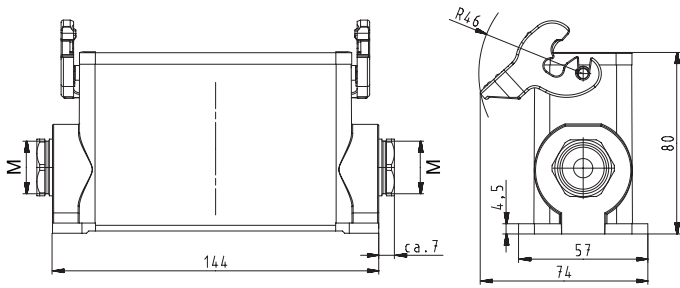
Description	Type	M	Part No.	P.U.
Bases, size 24H	Aluminum housing			
Closed-bottom base				
2 cable entries, 2 x M32				
without cover				
with cable gland, IP54, $\rightarrow \varnothing \leftarrow$ 16 – 25 mm	BAS GUT GL 24H M32 A0	32	76.334.6435.0	1
with threaded collar	BAS GUT GL 24H M32 A1	32	76.334.6435.1	1
with cover				
with cable gland, IP54, $\rightarrow \varnothing \leftarrow$ 16 – 25 mm	BAS GUT GR 24H M32 A0	32	76.344.6435.0	1
with threaded collar	BAS GUT GR 24H M32 A1	32	76.344.6435.1	1
2 cable entries, 2 x M40				
without cover				
with threaded collar	BAS GUT GL 24H M40 A1	40	76.338.6435.1	1
1 cable entry, left, 1 x M32				
without cover				
with cable gland, IP54, $\rightarrow \varnothing \leftarrow$ 16 – 25 mm	BAS GUT GM 24H M32 A0	32	76.335.6435.0	1
with threaded collar	BAS GUT GM 24H M32 A1	32	76.335.6435.1	1
with cover				
with cable gland, IP54, $\rightarrow \varnothing \leftarrow$ 16 – 25 mm	BAS GUT GS 24H M32 A0	32	76.345.6435.0	1
with threaded collar	BAS GUT GS 24H M32 A1	32	76.345.6435.1	1
1 cable entry, left, 1 x M40				
without cover				
with threaded collar	BAS GUT GM 24H M40 A0	40	76.339.6435.1	1
1 cable entry, right, 1 x M32				
with cover				
with cable gland, IP54, $\rightarrow \varnothing \leftarrow$ 16 – 25 mm	BAS GUT GT 24H M32 A0	32	76.346.6435.0	1
with threaded collar	BAS GUT GT 24H M32 A1	32	76.346.6435.1	1
1 cable entry, bottom, 1 x M32				
without cover				
with cable gland, IP54, $\rightarrow \varnothing \leftarrow$ 16 – 25 mm	BAS GUT GO 24H M32 A0	32	76.337.6435.0	1
with threaded collar	BAS GUT GO 24H M32 A1	32	76.337.6435.1	1
with cover				
with threaded collar	BAS GUT GU 24H M32 A1	32	76.347.6435.1	1
TECHNICAL DATA				
Material	Die cast aluminum alloy			
Surface	powder coated			
Locking levers	Handle: Polyamide, UL94-V0; stainless steel: V2A			
Gasket	NBR			
Degree of protection				
with latched locking levers	IP54			
with appropriate cable glands	IP65			
Temperature range	-40 °C...+120 °C			
ACCESSORIES / Description	Type	M	Part No.	P.U.
Cable gland IP68, plastic material, gray	Connection range 7 – 16 mm	25	Z5.507.1553.0	10
Cable gland IP68, nickel-plated brass	Connection range 11 – 18 mm	25	Z5.507.1521.0	10
Cable gland IP68, plastic material, gray	Connection range 15 – 21 mm	32	Z5.507.1753.0	10
Cable gland IP68, nickel-plated brass	Connection range 15 – 21 mm	32	Z5.507.1721.0	10
Cable gland IP68, plastic material, gray	Connection range 19 – 28 mm	40	Z5.507.1953.0	1
Cable gland IP68, nickel-plated brass	Connection range 19 – 27 mm	40	Z5.507.1921.0	1
Contact inserts see the product matrix				Page 26–27

All Bases with "cable gland bottom" on this page are also available in M40 design.
Part numbers available on request.

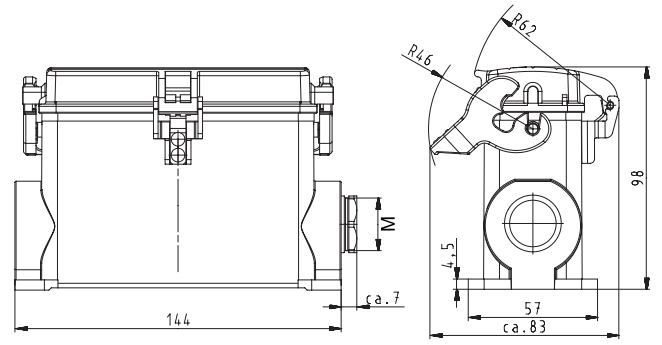
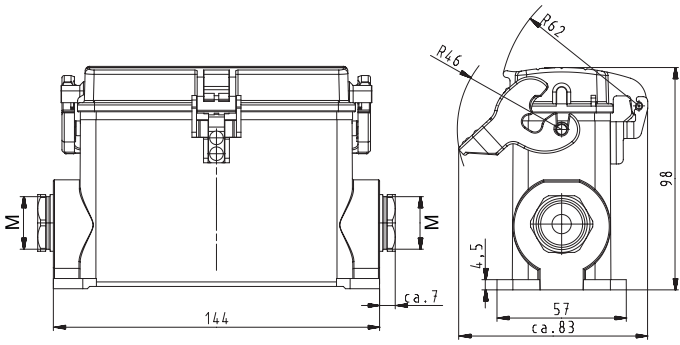
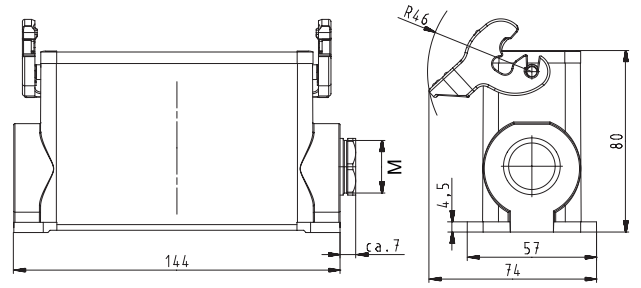
DIMENSIONS

Bases

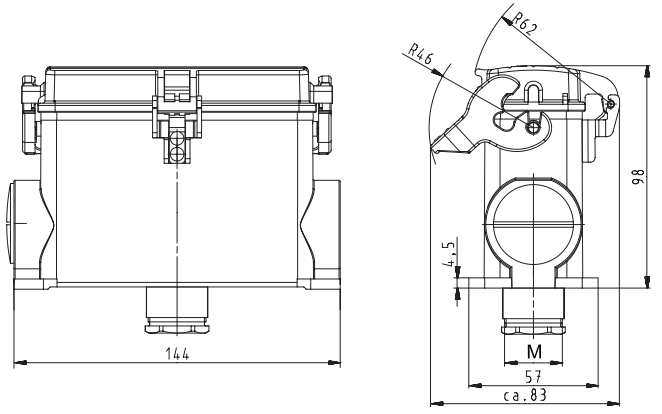
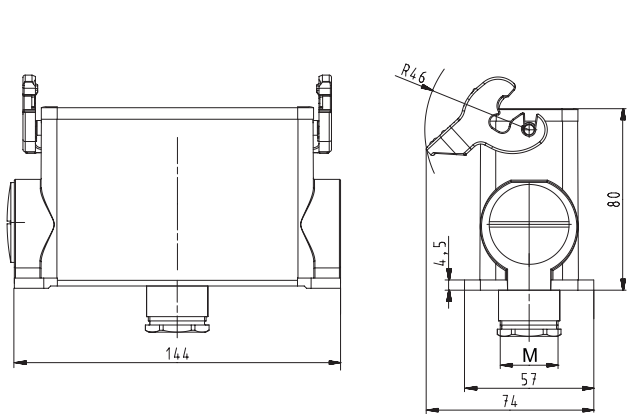
closed, 2 cable glands



closed, 1 cable gland



closed, 1 cable gland, bottom



REVOS BASIC · HOODS

Size 24, double locking lever



Lateral cable entry



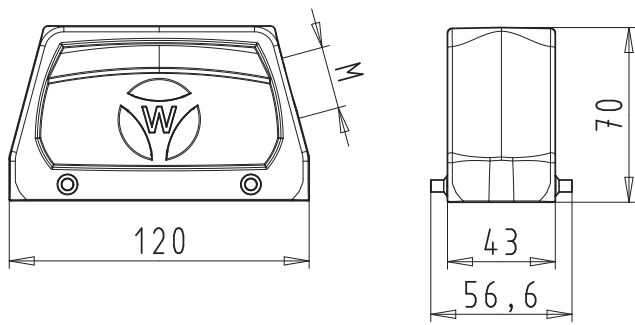
Top cable entry

Description	Type	M	Part No.	P.U.
Hoods, size 24		Aluminum housing		
Lateral cable entry M25				
with cable gland, IP54, $\rightarrow \leftarrow$ 8.5 – 17.5 mm	BAS GOT GA 24 M25 A0	25	70.350.2435.0	1
with threaded collar	BAS GOT GA 24 M25 A1	25	70.350.2435.1	1
Lateral cable entry M32				
with cable gland, IP54, $\rightarrow \leftarrow$ 16 – 25 mm	BAS GOT GA 24 M32 A0	32	70.353.2435.0	1
with threaded collar	BAS GOT GA 24 M32 A1	32	70.353.2435.1	1
Top cable entry M25				
with cable gland, IP54, $\rightarrow \leftarrow$ 8.5 – 17.5 mm	BAS GOT GC 24 M25 A0	25	70.352.2435.0	1
with threaded collar	BAS GOT GC 24 M25 A1	25	70.352.2435.1	1
Top cable entry M32				
with cable gland, IP54, $\rightarrow \leftarrow$ 16 – 25 mm	BAS GOT GC 24 M32 A0	32	70.354.2435.0	1
with threaded collar	BAS GOT GC 24 M32 A1	32	70.354.2435.1	1
TECHNICAL DATA				
Material	Die cast aluminum alloy			
Surface	powder coated			
Locking levers	-			
Gasket	-			
Degree of protection				
with latched locking levers	IP54			
with appropriate cable glands	IP65			
Temperature range	-40 °C...+120 °C			
ACCESSORIES / Description				
Cable gland IP68, plastic material, gray	Connection range 7 – 16 mm	25	Z5.507.1553.0	10
Cable gland IP68, nickel-plated brass	Connection range 11 – 18 mm	25	Z5.507.1521.0	10
Cable gland IP68, plastic material, gray	Connection range 15 – 21 mm	32	Z5.507.1753.0	10
Cable gland IP68, nickel-plated brass	Connection range 15 – 21 mm	32	Z5.507.1721.0	10
Strain relief IP54, nickel-plated brass	Connection range 9 – 20 mm	25	Z5.507.9721.0	10
Strain relief IP54, nickel-plated brass	Connection range 17 – 26 mm	32	Z5.507.9821.0	10
Contact inserts see the product matrix			Page 26–27	

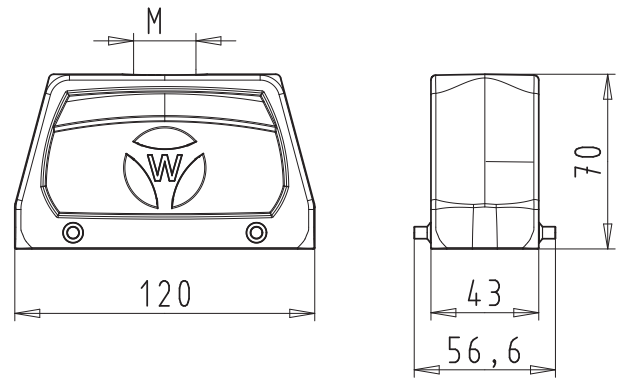
DIMENSIONS

Hoods

Lateral cable entry



Top cable entry



REVOS BASIC · HOODS

Size 24, double locking lever with locking levers



Lateral cable entry



Top cable entry



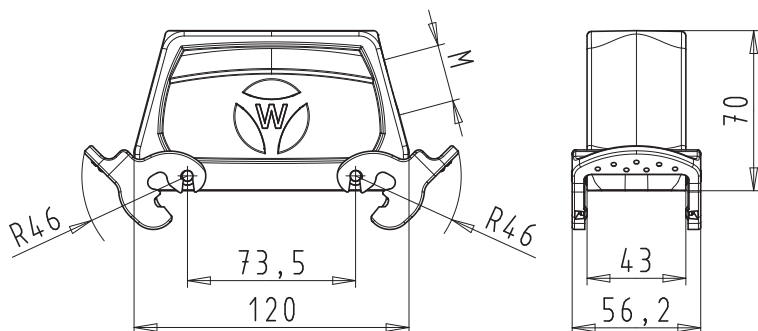
Multipole connectors for cable-to-cable couplings

Description	Type	M	Part No.	P.U.
Hoods, size 24	Aluminum housing			
Lateral cable entry M25				
with cable gland, IP54, $\rightarrow \varnothing \leftarrow$ 8.5 – 17.5 mm	BAS GOT GD 24 M25 A0	25	70.355.2435.0	1
with threaded collar	BAS GOT GD 24 M25 A1	25	70.355.2435.1	1
Lateral cable entry M32				
with cable gland, IP54, $\rightarrow \varnothing \leftarrow$ 16 – 25 mm	BAS GOT GD 24 M32 A0	32	70.358.2435.0	1
with threaded collar	BAS GOT GD 24 M32 A1	32	70.358.2435.1	1
Top cable entry M25				
with cable gland, IP54, $\rightarrow \varnothing \leftarrow$ 8.5 – 17.5 mm	BAS GOT GF 24 M25 A0	25	70.357.2435.0	1
with threaded collar	BAS GOT GF 24 M25 A1	25	70.357.2435.1	1
Top cable entry M32				
with cable gland, IP54, $\rightarrow \varnothing \leftarrow$ 16 – 25 mm	BAS GOT GF 24 M32 A0	32	70.359.2435.0	1
with threaded collar	BAS GOT GF 24 M32 A1	32	70.359.2435.1	1
Multipole connectors for cable-to-cable couplings M32				
with cable gland, IP54, $\rightarrow \varnothing \leftarrow$ 16 – 25 mm	BAS GOT GC 24 M32 A0	32	70.354.2435.0	1
with cable gland, IP54, $\rightarrow \varnothing \leftarrow$ 16 – 25 mm Locking levers and gasket	BAS GOT GK 24 M32 A0	32	70.374.2435.0	1
with threaded collar	BAS GOT GC 24 M32 A1	32	70.354.2435.1	1
with threaded collar Locking levers and gasket	BAS GOT GK 24 M32 A1	32	70.374.2435.1	1
TECHNICAL DATA				
Material	Die cast aluminum alloy			
Surface	powder coated			
Locking levers	Handle: Polyamide, UL94-V0; stainless steel: V2A			
Gasket for multipole connectors	NBR			
Degree of protection				
with latched locking levers	IP54			
with appropriate cable glands	IP65			
Temperature range	-40 °C...+120 °C			
ACCESSORIES / Description				
Cable gland IP68, plastic material, gray	Connection range 7 – 16 mm	25	Z5.507.1553.0	10
Cable gland IP68, nickel-plated brass	Connection range 11 – 18 mm	25	Z5.507.1521.0	10
Cable gland IP68, plastic material, gray	Connection range 15 – 21 mm	32	Z5.507.1753.0	10
Cable gland IP68, nickel-plated brass	Connection range 15 – 21 mm	32	Z5.507.1721.0	10
Strain relief IP54, nickel-plated brass	Connection range 9 – 20 mm	25	Z5.507.9721.0	10
Strain relief IP54, nickel-plated brass	Connection range 17 – 26 mm	32	Z5.507.9821.0	10
Contact inserts see the product matrix			Page 26–27	

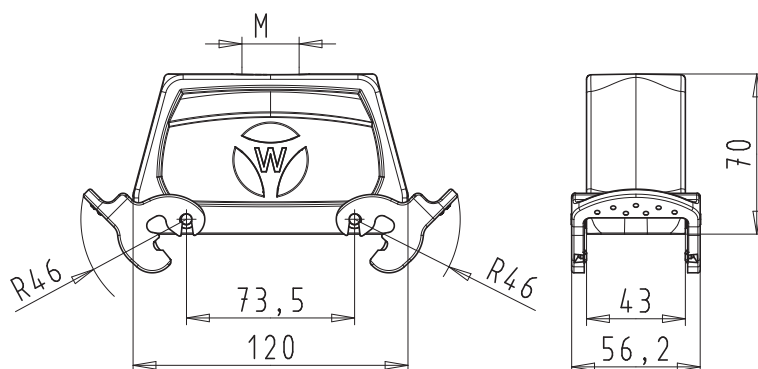
DIMENSIONS

Hoods with Locking levers

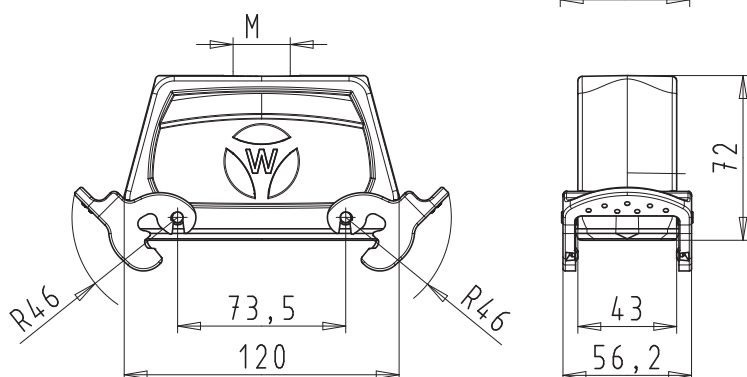
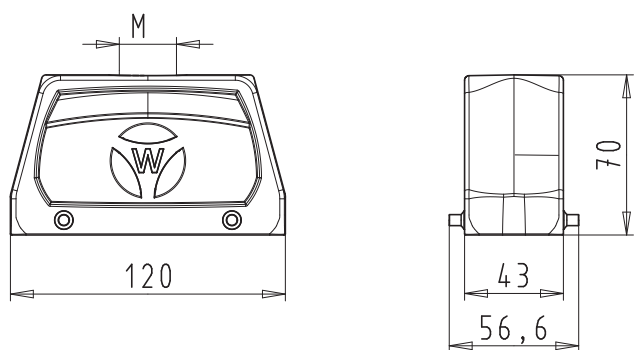
Lateral cable entry



Top cable entry



Multipole connectors for cable-to-cable couplings



REVOS BASIC · HOODS

Size 24H, increased height design, double locking lever



Lateral cable entry



Top cable entry



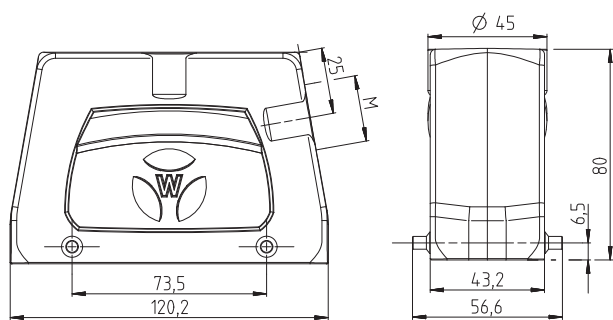
Multipole connectors for cable-to-cable couplings

Description	Type	M	Part No.	P.U.
Hoods, size 24H				
Aluminum housing				
Lateral cable entry M25				
with cable gland, IP54, $\rightarrow \text{Ø} \leftarrow$ 8.5 – 17.5 mm	BAS GOT GA 24H M25 A0	25	73.350.6435.0	1
with threaded collar	BAS GOT GA 24H M25 A1	25	73.350.6435.1	1
Lateral cable entry M32				
with cable gland, IP54, $\rightarrow \text{Ø} \leftarrow$ 16 – 25 mm	BAS GOT GA 24H M32 A0	32	73.353.6435.0	1
with threaded collar	BAS GOT GA 24H M32 A1	32	73.353.6435.1	1
Lateral cable entry M40				
with cable gland, IP54, $\rightarrow \text{Ø} \leftarrow$ 23 – 32 mm	BAS GOT GA 24H M40 A0	40	73.360.6435.0	1
with threaded collar	BAS GOT GA 24H M40 A1	40	73.360.6435.1	1
Top cable entry M25				
with cable gland, IP54, $\rightarrow \text{Ø} \leftarrow$ 8.5 – 17.5 mm	BAS GOT GC 24H M25 A0	25	73.352.6435.0	1
with threaded collar	BAS GOT GC 24H M25 A1	25	73.352.6435.1	1
Top cable entry M32				
with cable gland, IP54, $\rightarrow \text{Ø} \leftarrow$ 16 – 25 mm	BAS GOT GC 24H M32 A0	32	73.354.6435.0	1
with threaded collar	BAS GOT GC 24H M32 A1	32	73.354.6435.1	1
Top cable entry M40				
with cable gland, IP54, $\rightarrow \text{Ø} \leftarrow$ 23 – 32 mm	BAS GOT GC 24H M40 A0	40	73.362.6435.0	1
with threaded collar	BAS GOT GC 24H M40 A1	40	73.362.6435.1	1
Multipole connectors for cable-to-cable couplings M32				
with threaded collar, locking levers and gasket	BAS GOT GK 24H M32 A1	32	73.374.6435.1	1
Multipole connectors for cable-to-cable couplings M40				
with threaded collar, locking levers and gasket	BAS GOT GK 24H M40 A1	40	73.378.6435.1	1
TECHNICAL DATA				
Material	Die cast aluminum alloy			
Surface	powder coated			
Locking levers	Handle: Polyamide, UL94-V0; stainless steel: V2A			
Gasket	NBR			
Degree of protection				
with latched locking levers	IP54			
with appropriate cable glands	IP65			
Temperature range	-40 °C...+120 °C			
ACCESSORIES / Description				
Cable gland IP68, plastic material, gray	Connection range 7 – 16 mm	25	Z5.507.1553.0	10
Cable gland IP68, nickel-plated brass	Connection range 11 – 18 mm	25	Z5.507.1521.0	10
Cable gland IP68, plastic material, gray	Connection range 15 – 21 mm	32	Z5.507.1753.0	10
Cable gland IP68, nickel-plated brass	Connection range 15 – 21 mm	32	Z5.507.1721.0	10
Cable gland IP68, plastic material, gray	Connection range 19 – 28 mm	40	Z5.507.1953.0	1
Cable gland IP68, nickel-plated brass	Connection range 19 – 27 mm	40	Z5.507.1921.0	1
Strain relief IP54, nickel-plated brass	Connection range 9 – 20 mm	25	Z5.507.9721.0	10
Strain relief IP54, nickel-plated brass	Connection range 17 – 26 mm	32	Z5.507.9821.0	10
Contact inserts see the product matrix			Page 26–27	

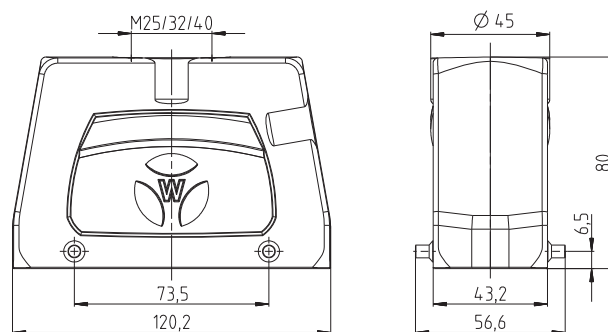
DIMENSIONS

Hoods

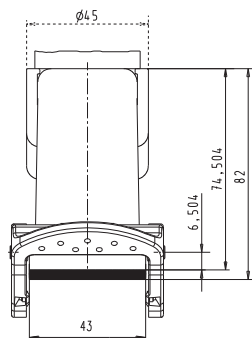
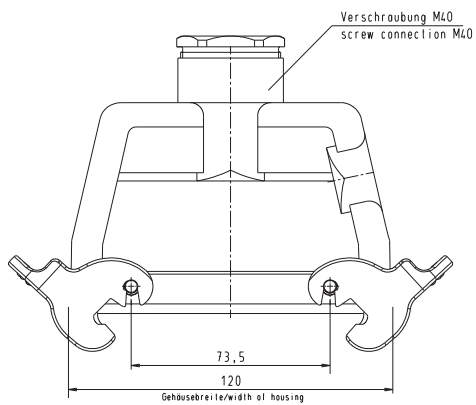
Lateral cable entry



Top cable entry



Multipole connectors for cable-to-cable couplings



REVOS BASIC · HOODS

Size 24H, increased height design, double locking lever with locking levers



Lateral cable entry



Top cable entry

Description	Type	M	Part No.	P.U.
Hoods, size 24H	Aluminum housing			
Lateral cable entry M25				
with cable gland, IP54, $\rightarrow \leftarrow$ 8.5 – 17.5 mm	BAS GOT GD 24H M25 A0	25	73.355.6435.0	1
with threaded collar	BAS GOT GD 24H M25 A1	25	73.355.6435.1	1
Lateral cable entry M32				
with cable gland, IP54, $\rightarrow \leftarrow$ 16 – 25 mm	BAS GOT GD 24H M32 A0	32	73.358.6435.0	1
with threaded collar	BAS GOT GD 24H M32 A1	32	73.358.6435.1	1
Lateral cable entry M40				
with threaded collar	BAS GOT GD 24H M40 A1	40	73.365.6435.1	1
Top cable entry M25				
with cable gland, IP54, $\rightarrow \leftarrow$ 8.5 – 17.5 mm	BAS GOT GF 24H M25 A0	25	73.357.6435.0	1
with threaded collar	BAS GOT GF 24H M25 A1	25	73.357.6435.1	1
Top cable entry M32				
with cable gland, IP54, $\rightarrow \leftarrow$ 16 – 25 mm	BAS GOT GF 24H M32 A0	32	73.359.6435.0	1
with threaded collar	BAS GOT GF 24H M32 A1	32	73.359.6435.1	1
Top cable entry M40				
with threaded collar	BAS GOT GF 24H M40 A1	40	73.367.6435.0	1

TECHNICAL DATA

Material	Die cast aluminum alloy
Surface	powder coated
Locking levers	Handle: Polyamide, UL94-V0; stainless steel: V2A
Gasket	-

Degree of protection	
with latched locking levers	IP54
with appropriate cable glands	IP65
Temperature range	-40 °C...+120 °C

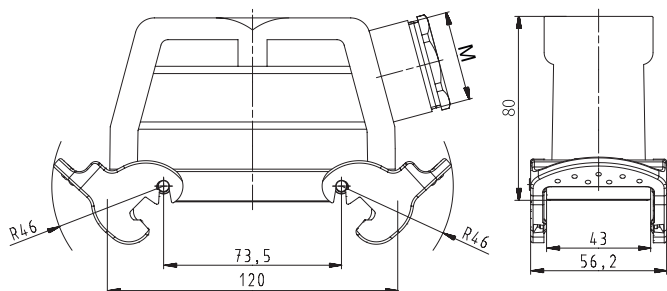
ACCESSORIES / Description	Type	M	Part No.	P.U.
Cable gland IP68, plastic material, gray	Connection range 7 – 16 mm	25	Z5.507.1553.0	10
Cable gland IP68, nickel-plated brass	Connection range 11 – 18 mm	25	Z5.507.1521.0	10
Cable gland IP68, plastic material, gray	Connection range 15 – 21 mm	32	Z5.507.1753.0	10
Cable gland IP68, nickel-plated brass	Connection range 15 – 21 mm	32	Z5.507.1721.0	10
Cable gland IP68, plastic material, gray	Connection range 19 – 28 mm	40	Z5.507.1953.0	1
Cable gland IP68, nickel-plated brass	Connection range 19 – 27 mm	40	Z5.507.1921.0	1
Strain relief IP54, nickel-plated brass	Connection range 9 – 20 mm	25	Z5.507.9721.0	10
Strain relief IP54, nickel-plated brass	Connection range 17 – 26 mm	32	Z5.507.9821.0	10

Contact inserts see the product matrix Page 26–27

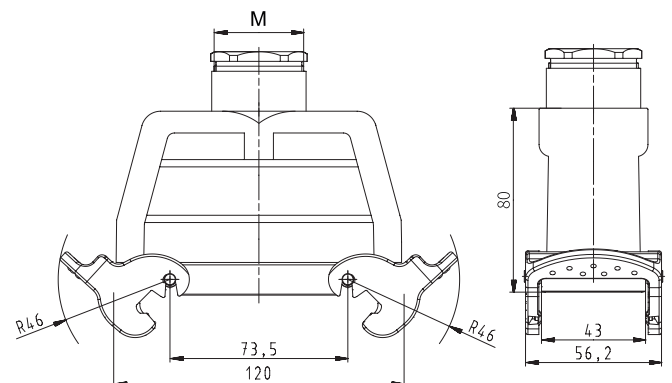
DIMENSIONS

Hoods

Lateral cable entry



Top cable entry



REVOS BASIC · HOODS

Size 24XL, double locking lever



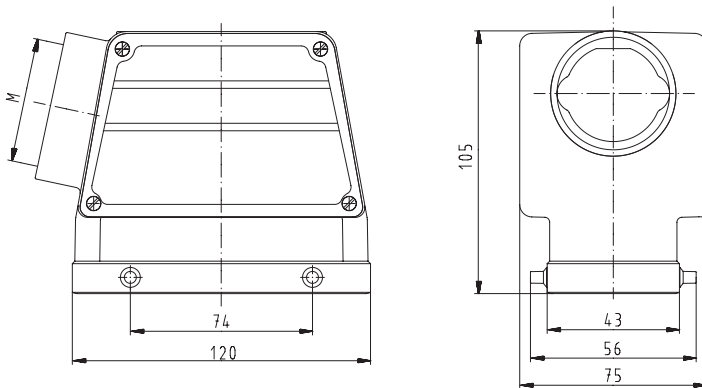
Lateral cable entry

Description	Type	M	Part No.	P.U.
Hoods, size 24XL	Aluminum housing			
Lateral cable entry M50 with intermediate support	POW GOT GA 24 M50 69 A2 50	72.250.2435.2	1	
TECHNICAL DATA				
Material	Die cast aluminum alloy			
Surface	powder coated			
Locking levers	.			
Gasket	-			
Degree of protection				
with latched locking levers	.			
with appropriate cable glands	IP65			
Temperature range	-40 °C...+120 °C			
Contact inserts see the product matrix				Page 26-27

DIMENSIONS

Hoods

Lateral cable entry



REVOS BASIC · BASES

Size 24, double locking lever



open, with or without cover



closed, with or without cover
1 cable entry, lateral cable entry



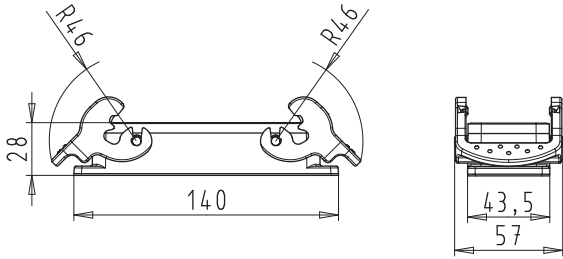
closed, with or without cover
1 cable gland, bottom

Description	Type	M	Part No.	P.U.
Bases, size 24		Aluminum housing		
Open-bottom base				
without cover	BAS GUT GA 24 A		70.320.2428.0	1
with cover	BAS GUT GE 24 A		70.325.2428.0	1
Closed-bottom base				
2 cable entries, 2 x M25				
without cover				
with cable gland, IP54, $\rightarrow \varnothing \leftarrow$ 8.5 – 17.5 mm	BAS GUT GB 24 M25 A0	25	70.330.2435.0	1
with threaded collar	BAS GUT GB 24 M25 A1	25	70.330.2435.1	1
with cover				
with cable gland, IP54, $\rightarrow \varnothing \leftarrow$ 8.5 – 17.5 mm	BAS GUT GF 24 M25 A0	25	70.340.2435.0	1
with threaded collar	BAS GUT GF 24 M25 A1	25	70.340.2435.1	1
1 cable entry, left, 1 x M25				
without cover				
with cable gland, IP54, $\rightarrow \varnothing \leftarrow$ 8.5 – 17.5 mm	BAS GUT GC 24 M25 A0	25	70.331.2435.0	1
with threaded collar	BAS GUT GC 24 M25 A1	25	70.331.2435.1	1
with cover				
with cable gland, IP54, $\rightarrow \varnothing \leftarrow$ 8.5 – 17.5 mm	BAS GUT GG 24 M25 A0	25	70.341.2435.0	1
with threaded collar	BAS GUT GG 24 M25 A1	25	70.341.2435.1	1
1 cable entry, right, 1 x M25				
with cover				
with cable gland, IP54, $\rightarrow \varnothing \leftarrow$ 8.5 – 17.5 mm	BAS GUT GH 24 M25 A0	25	70.342.2435.0	1
with threaded collar	BAS GUT GH 24 M25 A1	25	70.342.2435.1	1
1 cable entry, bottom, 1 x M25				
without cover				
with cable gland, IP54, $\rightarrow \varnothing \leftarrow$ 8.5 – 17.5 mm	BAS GUT GD 24 M25 A0	25	70.333.2435.0	1
with threaded collar	BAS GUT GD 24 M25 A1	25	70.333.2435.1	1
with cover				
with cable gland, IP54, $\rightarrow \varnothing \leftarrow$ 8.5 – 17.5 mm	BAS GUT GI 24 M25 A0	25	70.343.2435.0	1
with threaded collar	BAS GUT GI 24 M25 A1	25	70.343.2435.1	1
TECHNICAL DATA				
Material	Die cast aluminum alloy			
Surface	powder coated			
Locking levers	Handle: Polyamide, UL94-V0; stainless steel: V2A			
Gasket	NBR			
Degree of protection				
with latched locking levers	IP54			
with appropriate cable glands	IP65			
Temperature range	-40 °C...+120 °C			
ACCESSORIES / Description				
Cable gland IP68, plastic material, gray	Connection range 7 – 16 mm	25	Z5.507.1553.0	10
Cable gland IP68, nickel-plated brass	Connection range 11 – 18 mm	25	Z5.507.1521.0	10
Contact inserts see the product matrix			Page 26–27	

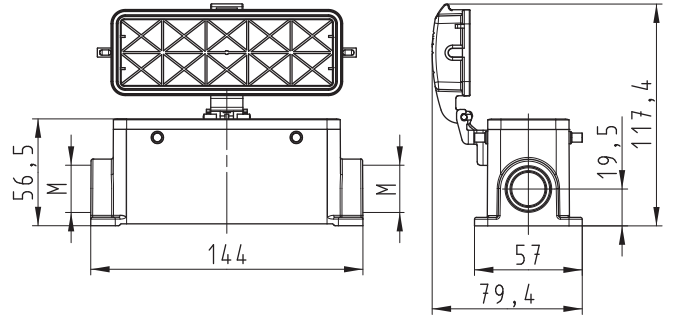
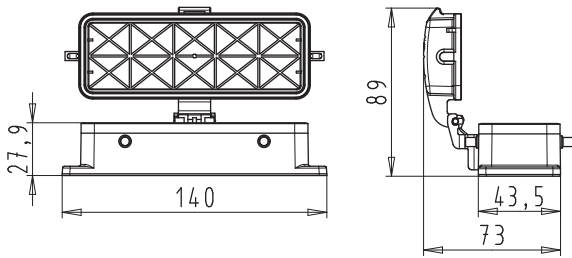
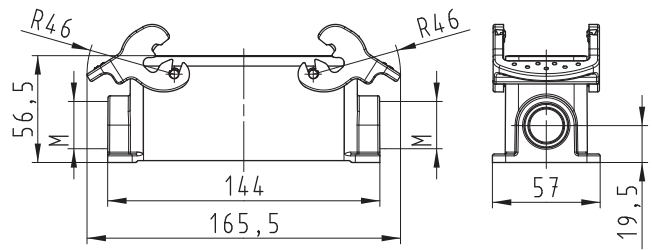
DIMENSIONS

Bases

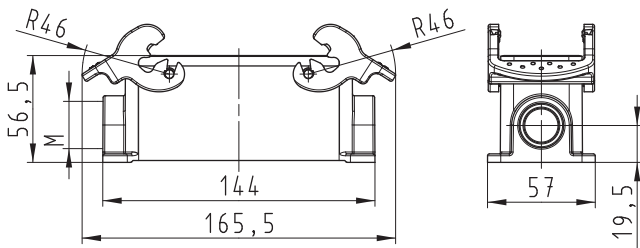
open



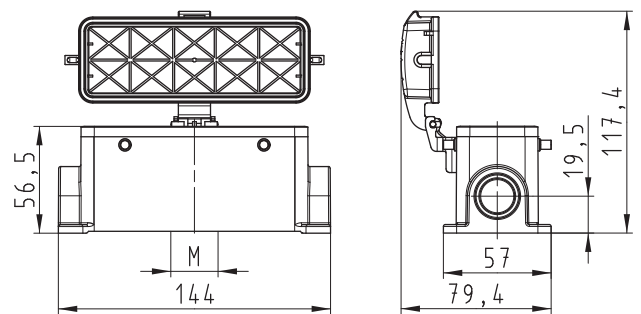
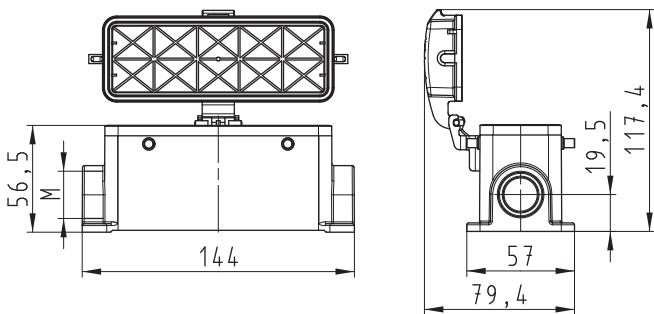
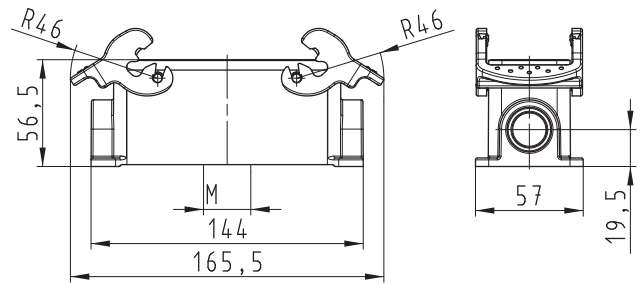
closed, 2 cable glands



closed, 1 cable gland, lateral cable entry



closed, 1 cable gland, bottom



REVOS BASIC · BASES

Size 24H, increased height design, double locking lever



closed, with or without cover
2 cable glands



closed, with or without cover
1 cable gland, bottom

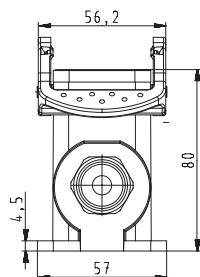
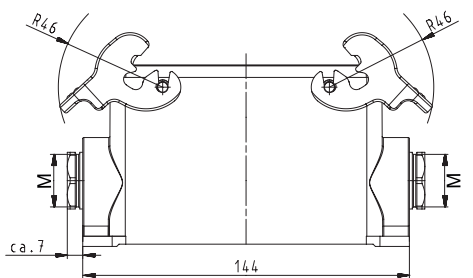
Description	Type	M	Part No.	P.U.
Bases, size 24H	Aluminum housing			
Closed-bottom base				
2 cable entries, 2 x M32				
without cover				
with cable gland, IP54, $\rightarrow \text{Ø} \leftarrow$ 16 – 25 mm	BAS GUT GB 24H M32 A0	32	73.334.6435.0	1
with threaded collar	BAS GUT GB 24H M32 A1	32	73.334.6435.1	1
with cover				
with cable gland, IP54, $\rightarrow \text{Ø} \leftarrow$ 16 – 25 mm	BAS GUT GF 24H M32 A0	32	73.344.6435.0	1
with threaded collar	BAS GUT GF 24H M32 A1	32	73.344.6435.1	1
2 cable entries, 2 x M40				
without cover				
with threaded collar	BAS GUT GB 24H M40 A1	40	73.338.6435.1	1
1 cable entry, left, 1 x M32				
without cover				
with cable gland, IP54, $\rightarrow \text{Ø} \leftarrow$ 16 – 25 mm	BAS GUT GC 24H M32 A0	32	73.335.6435.0	1
with threaded collar	BAS GUT GC 24H M32 A1	32	73.335.6435.1	1
with cover				
with cable gland, IP54, $\rightarrow \text{Ø} \leftarrow$ 16 – 25 mm	BAS GUT GG 24H M32 A0	32	73.345.6435.0	1
with threaded collar	BAS GUT GG 24H M32 A1	32	73.345.6435.1	1
1 cable entry, left, 1 x M40				
without cover				
with threaded collar	BAS GUT GC 24H M40 A1	40	73.339.6435.1	1
1 cable entry, right, 1 x M32				
with cover				
with threaded collar	BAS GUT GH 24H M32 A1	32	73.346.6435.1	1
1 cable entry, bottom, 1 x M32				
without cover				
with cable gland, IP54, $\rightarrow \text{Ø} \leftarrow$ 16 – 25 mm	BAS GUT GD 24H M32 A0	32	73.337.6435.0	1
with threaded collar	BAS GUT GD 24H M32 A1	32	73.337.6435.1	1
with cover				
with cable gland, IP54, $\rightarrow \text{Ø} \leftarrow$ 16 – 25 mm	BAS GUT GI 24H M32 A0	32	73.347.6435.0	1
TECHNICAL DATA				
Material	Die cast aluminum alloy			
Surface	powder coated			
Locking levers	Handle: Polyamide, UL94-V0; stainless steel: V2A			
Gasket	NBR			
Degree of protection				
with latched locking levers	IP54			
with appropriate cable glands	IP65			
Temperature range	-40 °C...+120 °C			
ACCESSORIES / Description				
Cable gland IP68, plastic material, gray	Connection range 7 – 16 mm	25	Z5.507.1553.0	10
Cable gland IP68, nickel-plated brass	Connection range 11 – 18 mm	25	Z5.507.1521.0	10
Cable gland IP68, plastic material, gray	Connection range 15 – 21 mm	32	Z5.507.1753.0	10
Cable gland IP68, nickel-plated brass	Connection range 15 – 21 mm	32	Z5.507.1721.0	10
Cable gland IP68, plastic material, gray	Connection range 19 – 28 mm	40	Z5.507.1953.0	1
Cable gland IP68, nickel-plated brass	Connection range 19 – 27 mm	40	Z5.507.1921.0	1
Contact inserts see the product matrix			Page 26–27	

All Bases with "cable gland bottom" on this page are also available in M40 design.
Part numbers available on request.

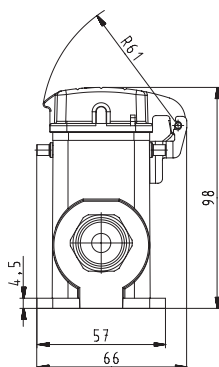
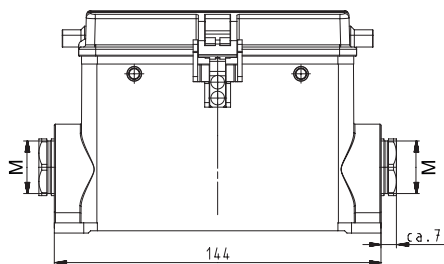
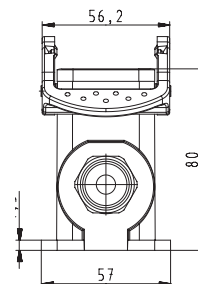
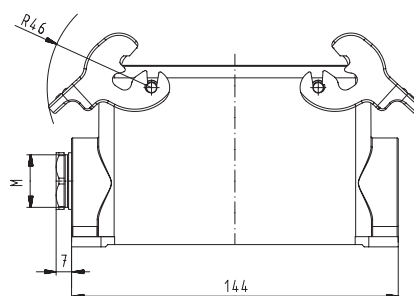
DIMENSIONS

Bases

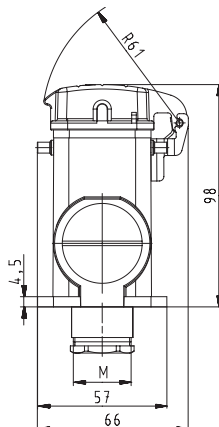
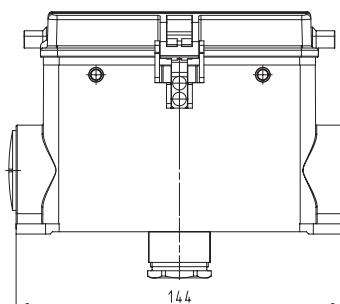
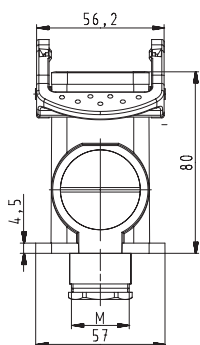
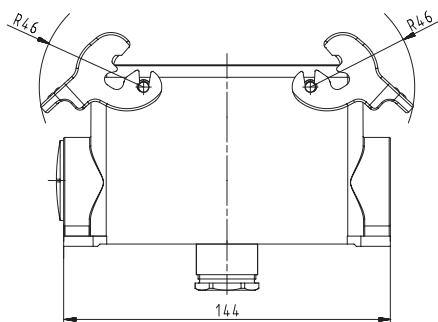
closed, 2 cable glands



closed, 1 cable gland



closed, 1 cable gland, bottom



REVOS BASIC · HOODS

Size 32, double locking lever



Lateral cable entry



Top cable entry

Description	Type	M	Part No.	P.U.
Hoods, size 32	Aluminum housing			
Lateral cable entry M32				
with cable gland, IP54, $\rightarrow \varnothing \leftarrow$ 16 – 25 mm	BAS GOT GA 32 M32 A0	32	70.350.3235.0	1
with threaded collar	BAS GOT GA 32 M32 A1	32	70.350.3235.1	1
Lateral cable entry M40				
with threaded collar	BAS GOT GA 32 M40 A1	40	70.353.3235.1	1
Top cable entry M32				
with cable gland, IP54, $\rightarrow \varnothing \leftarrow$ 16 – 25 mm	BAS GOT GC 32 M32 A0	32	70.352.3235.0	1
with threaded collar	BAS GOT GC 32 M32 A1	32	70.352.3235.1	1
Top cable entry M40				
with threaded collar	BAS GOT GC 32 M40 A1	40	70.354.3235.1	1

TECHNICAL DATA	
Material	Die cast aluminum alloy
Surface	powder coated
Locking levers	-
Gasket	-
Degree of protection	
with latched locking levers	IP54
with appropriate cable glands	IP65
Temperature range	-40 °C...+120 °C

ACCESSORIES / Description	Type	M	Part No.	P.U.
Cable gland IP68, plastic material, gray	Connection range 15 – 21 mm	32	Z5.507.1753.0	10
Cable gland IP68, nickel-plated brass	Connection range 15 – 21 mm	32	Z5.507.1721.0	10
Cable gland IP68, plastic material, gray	Connection range 19 – 28 mm	40	Z5.507.1953.0	1
Cable gland IP68, nickel-plated brass	Connection range 19 – 27 mm	40	Z5.507.1921.0	1

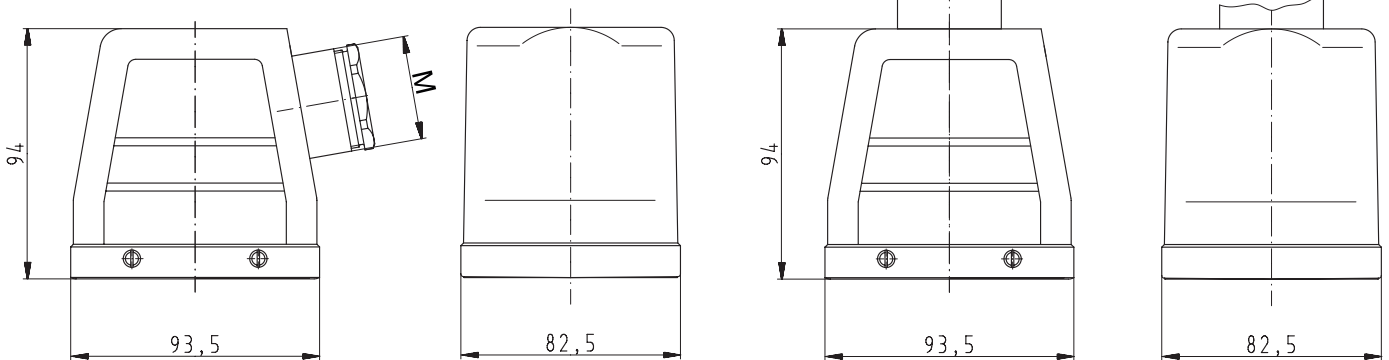
Contact inserts see the product matrix Page 26–27

DIMENSIONS

Hoods

Lateral cable entry

Top cable entry



REVOS BASIC · BASES

Size 32, double locking lever



open

Description	Type	M	Part No.	P.U.
Base, size 32	Aluminum housing			
open				
without cover	BAS GUT GA 32 A	32	70.320.3228.0	1

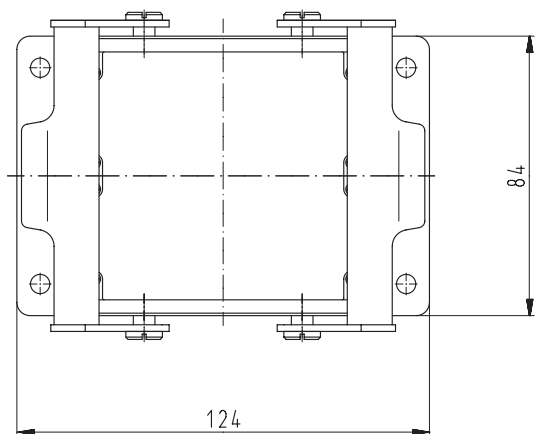
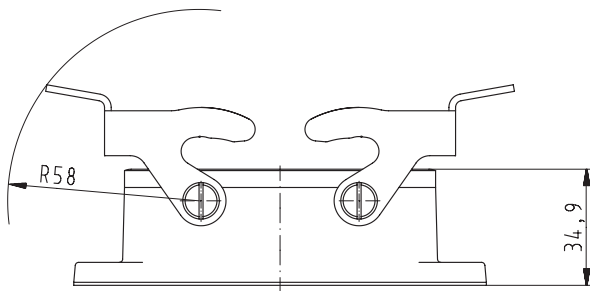
TECHNICAL DATA	
Material	Die cast aluminum alloy
Surface	powder coated
Locking levers at multipole connectors	Handle: Polyamide, UL94-V0; stainless steel: V2A
Gasket at multipole connectors	NBR
Degree of protection	
with latched locking levers	IP54
with appropriate cable glands	IP65
Temperature range	-40 °C...+120 °C

Contact inserts see the product matrix Page 26–27

DIMENSIONS

Bases

open



REVOS BASIC · HOODS

Size 48, single locking lever



Lateral cable entry



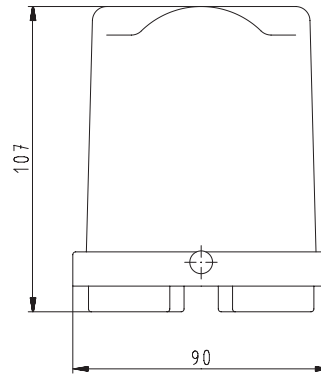
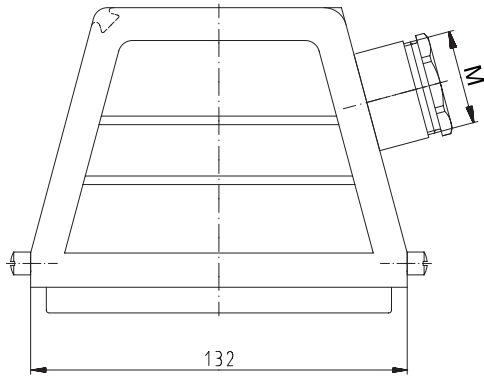
Top cable entry

Description	Type	M	Part No.	P.U.
Hoods, size 48	Aluminum housing			
Lateral cable entry M32				
with cable gland, IP54, $\rightarrow \leftarrow$ 16 – 25 mm	BAS GOT GG 48 M32 A0	32	70.350.4835.0	1
with threaded collar	BAS GOT GG 48 M32 A1	32	70.350.4835.1	1
Lateral cable entry M40				
with threaded collar	BAS GOT GG 48 M40 A1	40	70.353.4835.1	1
Top cable entry M32				
with cable gland, IP54, $\rightarrow \leftarrow$ 16 – 25 mm	BAS GOT GI 48 M32 A0	32	70.352.4835.0	1
with threaded collar	BAS GOT GI 48 M32 A1	32	70.352.4835.1	1
Top cable entry M40				
with threaded collar	BAS GOT GI 48 M40 A1	40	70.354.4835.1	1
TECHNICAL DATA				
Material	Die cast aluminum alloy			
Surface	powder coated			
Locking levers	-			
Gasket	-			
Degree of protection				
with latched locking levers	IP54			
with appropriate cable glands	IP65			
Temperature range	-40 °C...+120 °C			
ACCESSORIES / Description	Type	M	Part No.	P.U.
Cable gland IP68, plastic material, gray	Connection range 15 – 21 mm	32	Z5.507.1753.0	10
Cable gland IP68, nickel-plated brass	Connection range 15 – 21 mm	32	Z5.507.1721.0	10
Cable gland IP68, plastic material, gray	Connection range 19 – 28 mm	40	Z5.507.1953.0	1
Cable gland IP68, nickel-plated brass	Connection range 19 – 27 mm	40	Z5.507.1921.0	1
Contact inserts see the product matrix				Page 26–27

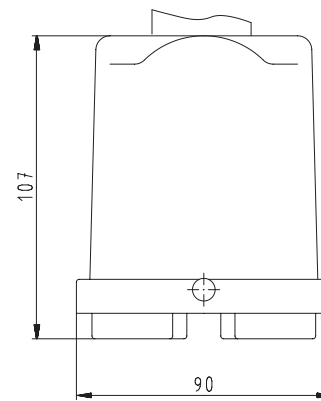
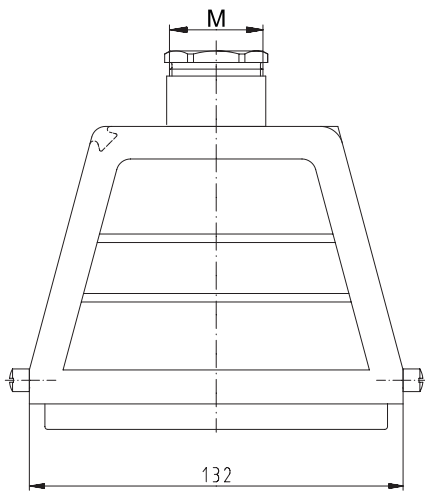
DIMENSIONS

Hoods

Lateral cable entry



Top cable entry



REVOS BASIC · BASES

Size 48, single locking lever



open, with or without cover



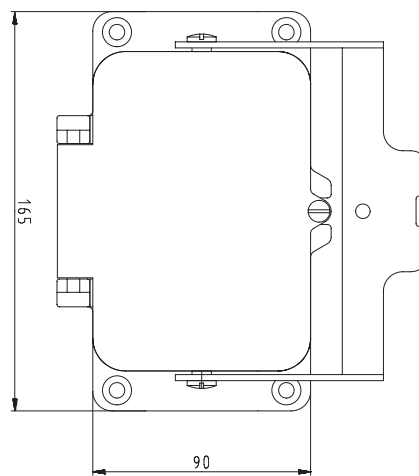
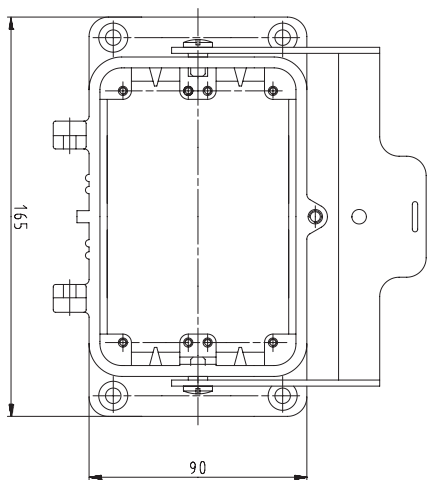
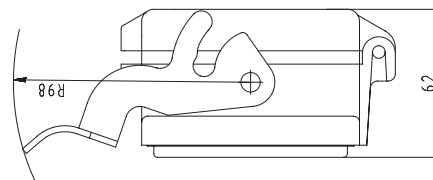
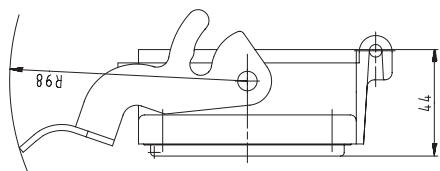
closed, with or without cover
1 cable gland

Description	Type	M	Part No.	P.U.
Bases, size 48		Aluminum housing		
Open-bottom base				
without cover	BAS GUT GK 48 A		70.320.4828.0	1
with metal cover	BAS GUT GP 48 A		70.325.4828.0	1
Closed-bottom base				
1 cable entry left, 1 x M32				
without cover				
with cable gland, IP54, $\rightarrow \text{Ø} \leftarrow$ 16 – 25 mm	BAS GUT GM 48 M32 A0	32	70.331.4835.0	1
with threaded collar	BAS GUT GM 48 M32 A1	32	70.331.4835.1	1
with strain relief IP54	BAS GUT GM 48 M32 A3	32	70.331.4835.3	1
with metal cover				
with cable gland, IP54, $\rightarrow \text{Ø} \leftarrow$ 16 – 25 mm	BAS GUT GS 48 M32 A0	32	70.341.4835.1	1
with strain relief IP54	BAS GUT GS 48 M32 A3	32	70.341.4835.3	1
1 cable entry, left, 1 x M40				
with metal cover				
with threaded collar	BAS GUT GR 48 M40 A1	40	70.344.4835.1	1
TECHNICAL DATA				
Material	Die cast aluminum alloy			
Surface	powder coated			
Locking levers	-			
Gasket	-			
Degree of protection				
with latched locking levers	IP54			
with appropriate cable glands	IP65			
Temperature range	-40 °C...+120 °C			
ACCESSORIES / Description				
Cable gland IP68, plastic material, gray	Connection range 15 – 21 mm	32	Z5.507.1753.0	10
Cable gland IP68, nickel-plated brass	Connection range 15 – 21 mm	32	Z5.507.1721.0	10
Cable gland IP68, plastic material, gray	Connection range 19 – 28 mm	40	Z5.507.1953.0	1
Cable gland IP68, nickel-plated brass	Connection range 19 – 27 mm	40	Z5.507.1921.0	1
Contact inserts see the product matrix			Page 26–27	

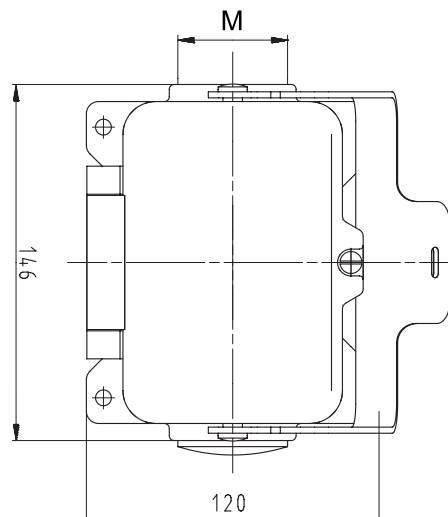
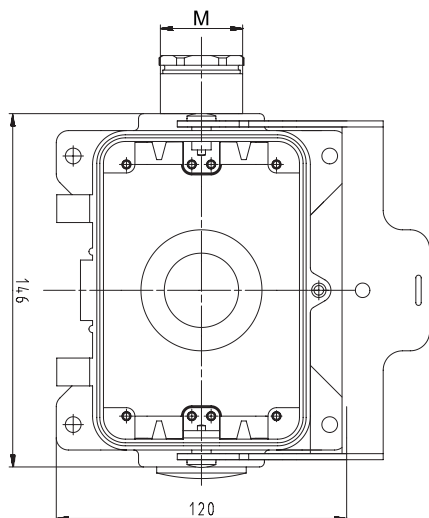
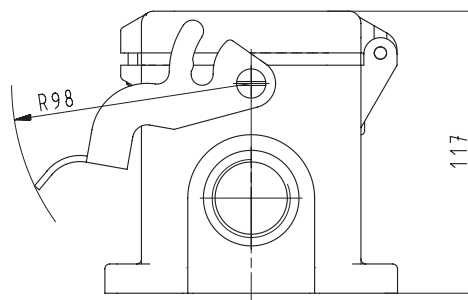
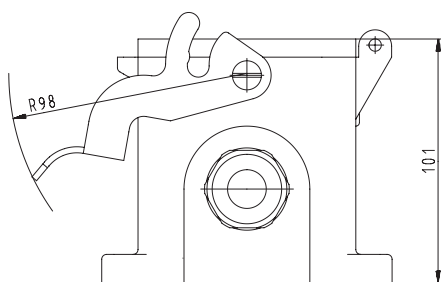
DIMENSIONS

Bases

open



closed, 1 cable gland



REVOS BASIC · EMC HOODS

Size 6–24



Lateral cable entry, size 6/6H



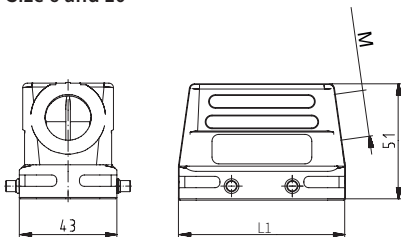
Lateral cable entry, size 24

Description	Type	M	Part No.	P.U.
EMC Hoods	Aluminum housing			
Lateral cable entry, size 6/6H				
with threaded collar M20	BAS GOE GG 6 M20 50 A1 20	70.350.0645.1	1	
with threaded collar M25	BAS GOE GG 6 M25 50 A1 25	70.353.0645.1	1	
with threaded collar M25, increased height design	BAS GOE GG 6H M25 50 A1 25	73.350.0645.1	1	
with threaded collar M32, increased height design	BAS GOE GG 6H M32 50 A1 32	73.353.0645.1	1	
Lateral cable entry, size 10/10H				
with threaded collar M25	BAS GOE GA 10 M25 50 A1 25	70.353.1045.1	1	
with threaded collar M32, increased height design	BAS GOE GA 10H M32 50 A1 32	73.353.1045.1	1	
Lateral cable entry, size 16/16H				
with threaded collar M32	BAS GOE GG 16 M32 50 A1 32	70.353.1645.1	1	
with threaded collar M32, increased height design	BAS GOE GG 16H M32 50 A1 32	73.353.4045.1	1	
Lateral cable entry, size 24/24H				
with threaded collar M32	BAS GOE GA 24 M32 50 A1 32	70.353.2445.1	1	
TECHNICAL DATA				
Material	Die cast aluminum alloy			
Surface	Special EMC plating, highly conductive			
Locking levers	-			
Gasket	-			
Degree of protection				
with latched locking levers	IP54			
with appropriate cable glands	IP65			
Temperature range	-40 °C...+120 °C			
ACCESSORIES / Description				
Cable gland EMV IP68, nickel-plated brass	Connection range 7.5 – 14 mm	20	Z5.503.7221.0	10
Cable gland EMV IP68, nickel-plated brass	Connection range 10 – 18 mm	25	Z5.503.7321.0	10
Cable gland EMV IP68, nickel-plated brass	Connection range 16 – 25 mm	32	Z5.503.7421.0	10
Contact inserts see the product matrix			Page 26–27	

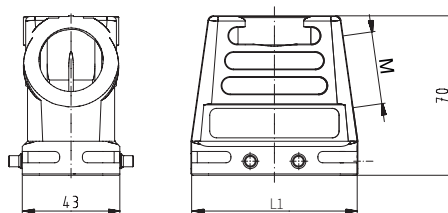
DIMENSIONS

Hoods Lateral cable entry

Size 6 and 10

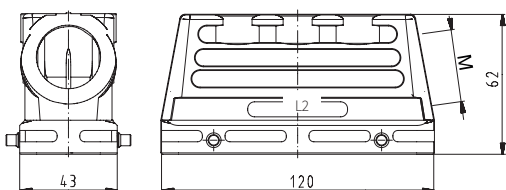


Size 6H and 10H

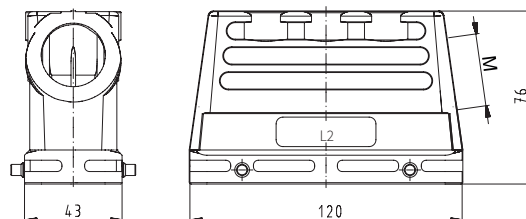


Size	L1 [mm]
6	60.0
6H	60.0
10	73.0
10H	73.0

Size 16 and 24



Size 16H



Size	L2 [mm]
16	93.5
16H	93.5
24	120.0

REVOS BASIC · EMC BASES

Size 6–24



open, size 6



open, size 24

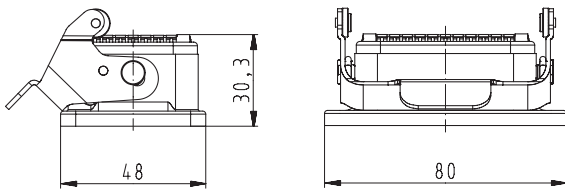
Description	Type	M	Part No.	P.U.
EMC Bases	Aluminum housing			
Open				
Size 6	BAS GUE GK 6 50 A		70.320.0638.0	1
Size 10	BAS GUE GA 10 50 A		70.320.1038.0	1
Size 16	BAS GUE GA 16 50 A		70.320.1638.0	1
Size 24	BAS GUE GA 24 50 A		70.320.2438.0	1

TECHNICAL DATA	
Material	Die cast aluminum alloy
Surface	Special EMC plating, highly conductive
Locking levers	Steel
Gasket	EPDM
Degree of protection	
with latched locking levers	IP54
with appropriate cable glands	IP65
Temperature range	-40 °C...+120 °C
Contact inserts see the product matrix	Page 26–27

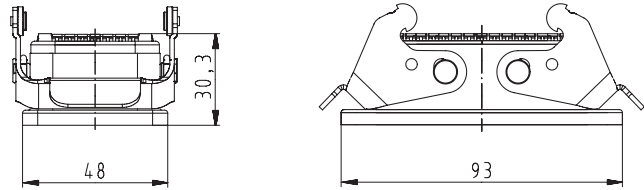
DIMENSIONS

Open-Bottom bases

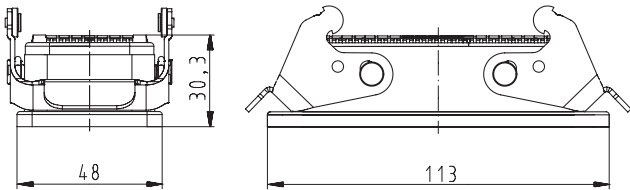
Size 6



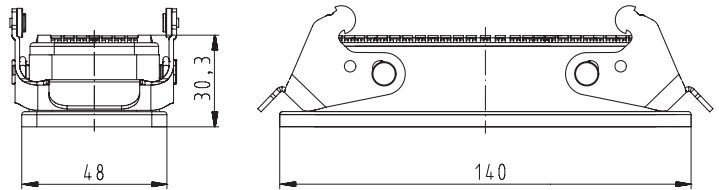
Size 10



Size 16



Size 24



REVOS BASIC · MOTOR CONNECTOR HOUSING

Size 10, single locking lever

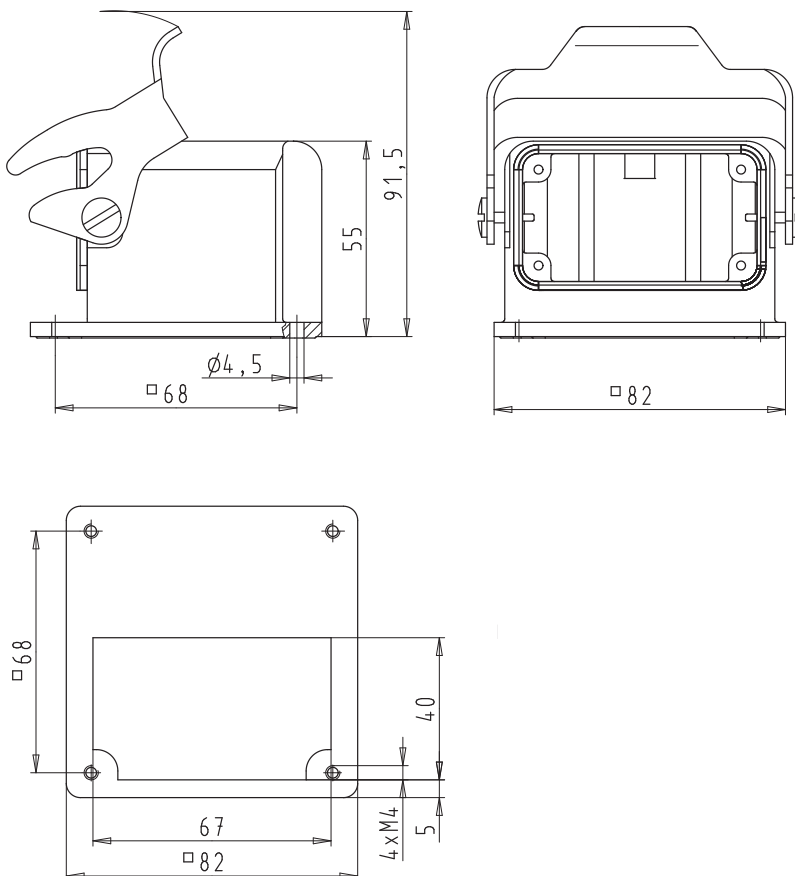


Size 10

Description	Type	M	Part No.	P.U.
Motor connector housing, size 10				
Base open	BAS GUT GQ 10 A		71.321.1028.0	1
TECHNICAL DATA				
Material	Die cast aluminum alloy			
Surface	powder coated			
Locking levers	zinc-plated steel			
Gasket at multipole connectors	NBR			
Degree of protection				
with latched locking levers	IP65			
with appropriate cable glands	-			
Temperature range	-40 °C...+120 °C			
Contact inserts see the product matrix			Page 26-27	

DIMENSIONS

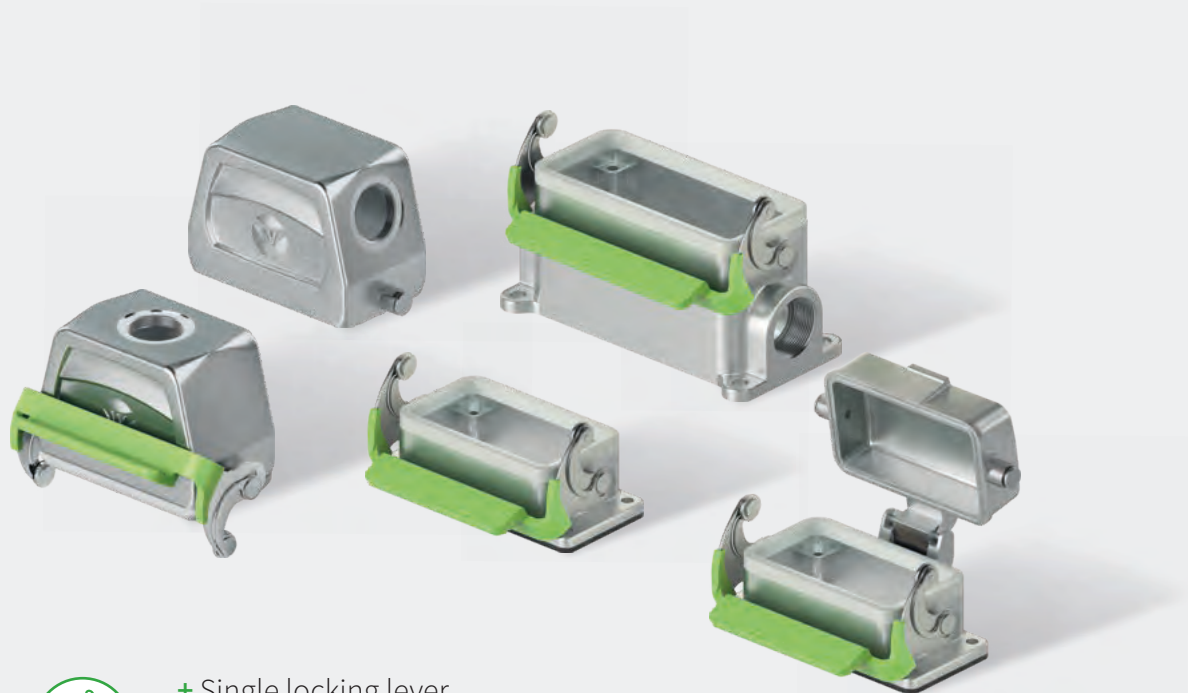
Size 10



CONNECTORS FOR **INCREASED ENVIRONMENTAL REQUIREMENTS** – **REVOS BASIC M**

Plant construction and engineering as well as construction machinery or wind power stations have the highest requirements for industrial connectors: Vibration, intruding humidity and corrosion are only few of the stress factors electric connection technology has to stand up to.

The revosBASIC M connectors are robust, durable and at the same time more convenient to use. The practical single locking lever lets you actuate the connectors safely even in confined spaces. The stainless steel locking levers are coated with heat-resistant, thermoplastic material. Ergonomic grip grooves provide better handling and ensure that the connector can be actuated under any ambient conditions. The movable locking bolts and the locking lever with rollers are also made of stainless steel and are very resistant to wear and abrasion. The optional aluminum cover ensures increased flexibility on site and protects the connectors in case service is needed.



- + Single locking lever
- + Chemically stable sealing
- + Stainless steel lever and bolt
- + Vibration test acc. to DIN 60068-2-6 (10-150Hz/2g)
- + Vibration test acc. to DIN EN 61373-1-B
- + Methods of exposure to laboratory light sources acc. to DIN EN ISO 4892-2
- + Ozone test acc. to DIN ISO 1431-1:2011-05
- + Corrosion protection (NSS) of >2000 hrs according to DIN EN ISO 9227

REVOS BASIC M · HOODS

Size 6, single locking lever



Lateral cable entry



Top cable entry



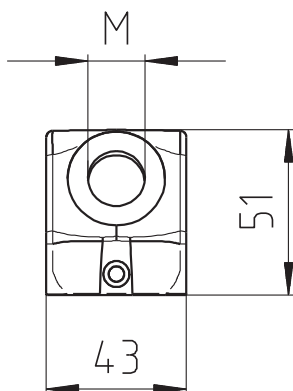
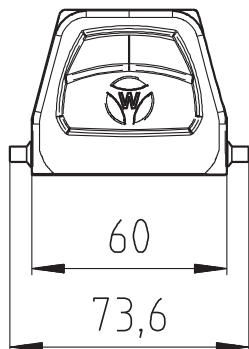
Multipole connectors for cable-to-cable couplings

Description	Type	M	Part No.	P.U.
Hoods, size 6	Aluminum housing			
Lateral cable entry M20 with threaded collar	BAS GOM GG 6 M20 B1	20	70.450.0637.1	1
Lateral cable entry M25 with threaded collar	BAS GOM GG 6 M25 B1	25	70.453.0637.1	1
Top cable entry M20 with threaded collar	BAS GOM GI 6 M20 B1	20	70.452.0637.1	1
Top cable entry M25 with threaded collar	BAS GOM GI 6 M25 B1	25	70.454.0637.1	1
Multipole connectors for cable-to-cable couplings M20 with threaded collar top, locking levers and gasket	BAS GOM GL 6 M20 B1	20	70.472.0637.1	1
TECHNICAL DATA				
Material	Die cast aluminum alloy			
Surface	-			
Corrosion protection (NSS)	> 2000 hrs according to DIN EN ISO 9227			
Locking levers	Locking lever: stainless steel Handle: heatresistant thermoplastic			
Gasket	Fluorine Elastomer			
Degree of protection				
with appropriate cable glands	IP66 according to DIN EN 60 529			
Protection class according to UL 50	NEMA Type 4/4X/12			
Temperature range	-40 °C...+120 °C			
ACCESSORIES / Description				
Cable gland IP68, nickel-plated brass	Connection range 8 – 13 mm	20	Z5.507.1321.0	10
Cable gland IP68, nickel-plated brass	Connection range 11 – 18 mm	25	Z5.507.1521.0	10
Contact inserts see the product matrix	Page 26–27			

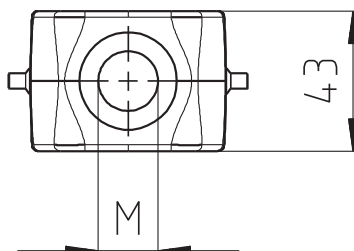
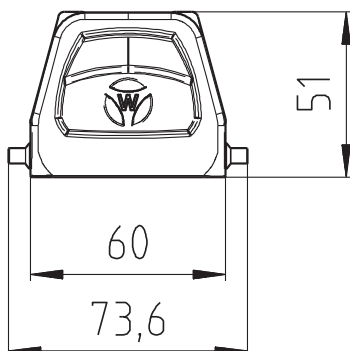
DIMENSIONS

Hoods

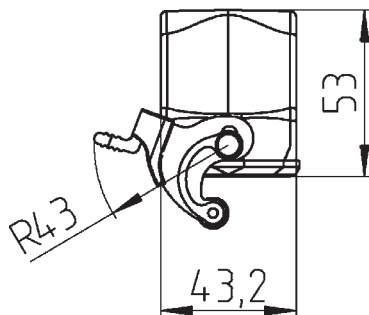
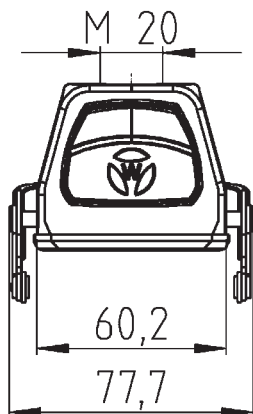
Lateral cable entry



Top cable entry

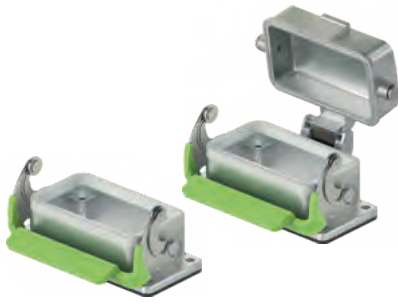


Multipole connectors for cable-to-cable couplings



REVOS BASIC M · BASES

Size 6, single locking lever



open



closed
2 x threaded collar



closed
1 x threaded collar, left

Description	Type	M	Part No.	P.U.
Bases, size 6	Aluminum housing			
Open-bottom base				
without cover	BAS GUM GK 6 B		70.420.0637.0	1
with metal cover	BAS GUM GP 6 B		70.425.0637.0	1
Closed-bottom base				
2 x threaded collar M20				
without cover	BAS GUM GL 6 M20 B1	20	70.430.0637.1	1
with metal cover	BAS GUM GR 6 M20 B1	20	70.440.0637.1	1
Closed-bottom base				
1 x threaded collar M20, left				
without cover	BAS GUM GM 6 M20 B1	20	70.431.0637.1	1
with metal cover	BAS GUM GS 6 M20 B1	20	70.441.0637.1	1
Closed-bottom base				
1 x threaded collar M25, left				
without cover	BAS GUM GM 6 M25 B1	25	70.435.0637.1	1

TECHNICAL DATA	
Material	Die cast aluminum alloy
Surface	-
Corrosion protection (NSS)	> 2000 hrs according to DIN EN ISO 9227
Locking levers	Locking lever: stainless steel Handle: heatresistant thermoplastic
Gasket	Fluorine Elastomer
Degree of protection	
with appropriate cable glands	IP66 according to DIN EN 60 529
Protection class according to UL 50	NEMA Type 4/4X/12
Temperature range	-40 °C...+120 °C

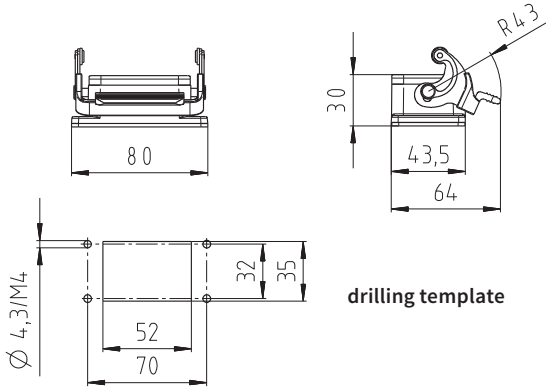
ACCESSORIES / Description	Type	M	Part No.	P.U.
Cable gland IP68, nickel-plated brass	Connection range 8 – 13 mm	20	Z5.507.1321.0	10
Cable gland IP68, nickel-plated brass	Connection range 11 – 18 mm	25	Z5.507.1521.0	10

Contact inserts see the product matrix Page 26–27

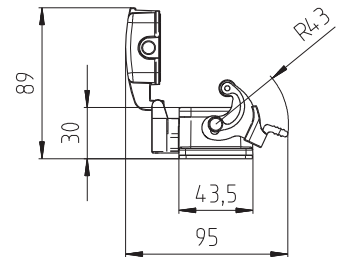
DIMENSIONS

open

without cover

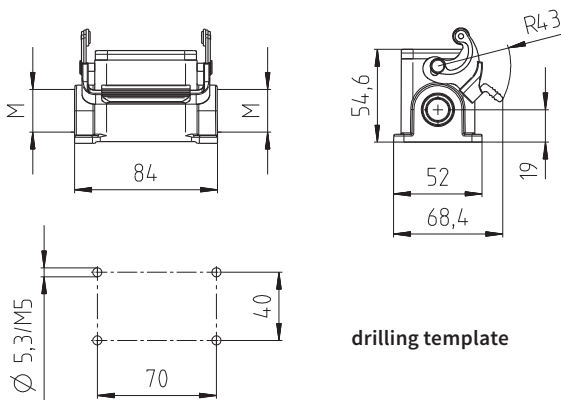


with metal cover

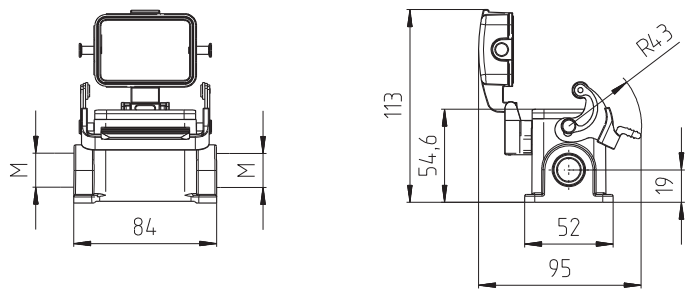


closed, 2 x threaded collar

without cover

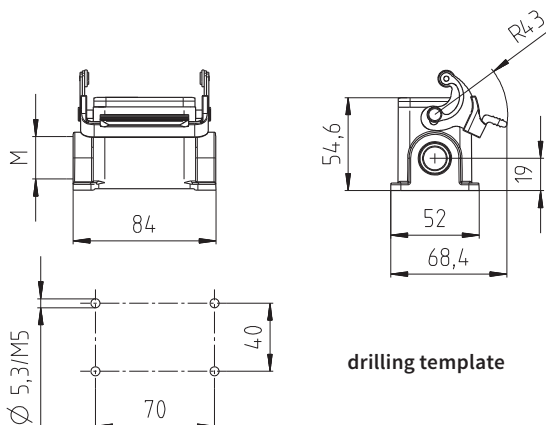


with metal cover

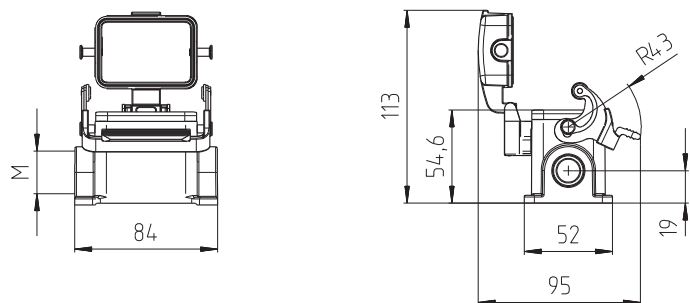


closed, 1 x threaded collar, left

without cover



with metal cover



REVOS BASIC M · HOODS

Size 10, single locking lever



Lateral cable entry



Top cable entry



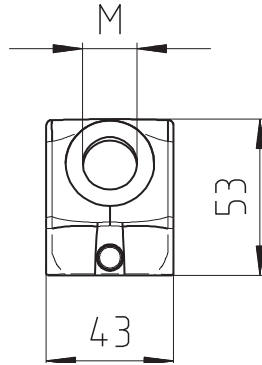
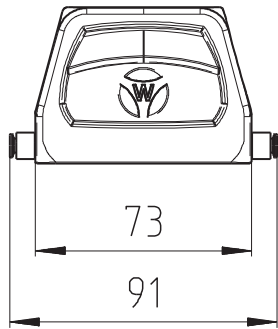
Multipole connectors for cable-to-cable couplings

Description	Type	M	Part No.	P.U.
Hoods, size 10	Aluminum housing			
Lateral cable entry M20 with threaded collar	BAS GOM GG10 M20 B1	20	71.450.1037.1	1
Top cable entry M20 with threaded collar	BAS GOM GI10 M20 B1	20	71.452.1037.1	1
Multipole connectors for cable-to-cable couplings M20 with threaded collar top, locking levers and gasket	BAS GOM GL10 M20 B1	20	71.472.1037.1	1
TECHNICAL DATA				
Material	Die cast aluminum alloy			
Surface	-			
Corrosion protection (NSS)	> 2000 hrs according to DIN EN ISO 9227			
Locking levers	Locking lever: stainless steel Handle: heatresistant thermoplastic			
Gasket	Fluorine Elastomer			
Degree of protection with appropriate cable glands	IP66 according to DIN EN 60 529			
Protection class according to UL 50	NEMA Type 4/4X/12			
Temperature range	-40 °C...+120 °C			
ACCESSORIES / Description	Type	M	Part No.	P.U.
Cable gland IP68, nickel-plated brass	Connection range 8 – 13 mm	20	Z5.507.1321.0	10
Contact inserts see the product matrix			Page 26–27	

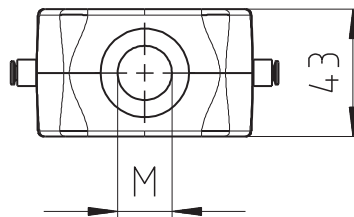
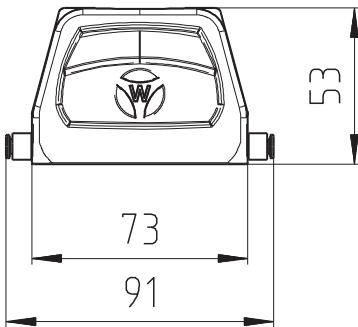
DIMENSIONS

Hoods

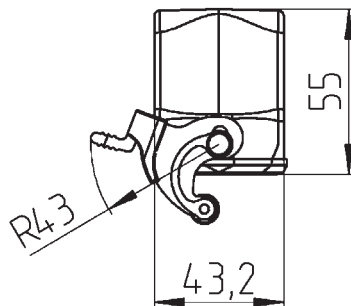
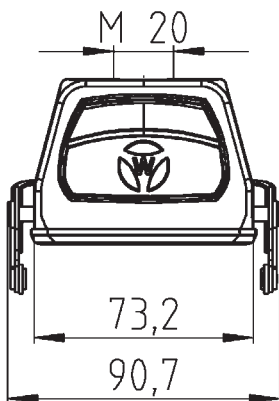
Lateral cable entry



Top cable entry



Multipole connectors for cable-to-cable couplings



REVOS BASIC M · BASES

Size 10, single locking lever



open



closed
2 x threaded collar



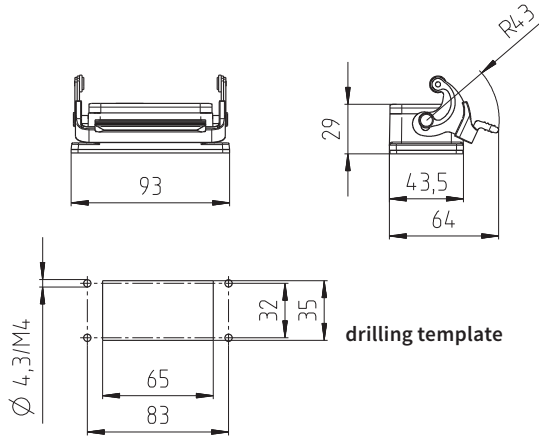
closed
1 x threaded collar, left

Description	Type	M	Part No.	P.U.
Bases, size 10	Aluminum housing			
Open-bottom base				
without cover	BAS GUM GK 10 B		71.420.1037.0	1
with metal cover	BAS GUM GP 10 B		71.425.1037.0	1
Closed-bottom base				
2 x threaded collar M20				
without cover	BAS GUM GL 10 M20 B1	20	71.430.1037.1	1
with metal cover	BAS GUM GR 10 M20 B1	20	71.440.1037.1	1
Closed-bottom base				
1 x threaded collar M20, left				
without cover	BAS GUM GM 10 M20 B1	20	71.431.1037.1	1
with metal cover	BAS GUM GS 10 M20 B1	20	71.441.1037.1	1
TECHNICAL DATA				
Material	Die cast aluminum alloy			
Surface	-			
Corrosion protection (NSS)	> 2000 hrs according to DIN EN ISO 9227			
Locking levers	Locking lever: stainless steel Handle: heatresistant thermoplastic			
Gasket	Fluorine Elastomer			
Degree of protection				
with appropriate cable glands	IP66 according to DIN EN 60 529			
Protection class according to UL 50	NEMA Type 4/4X/12			
Temperature range	-40 °C...+120 °C			
ACCESSORIES / Description				
Cable gland IP68, nickel-plated brass	Connection range 8 – 13 mm	20	Z5.507.1321.0	10
Contact inserts see the product matrix			Page 26–27	

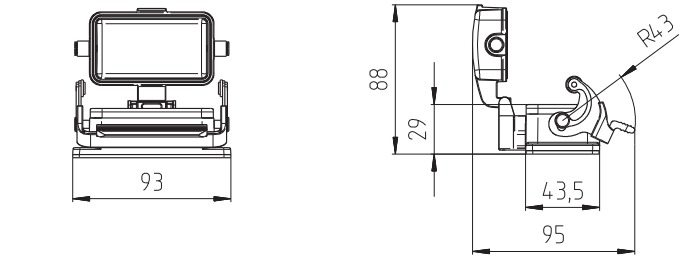
DIMENSIONS

open

without cover

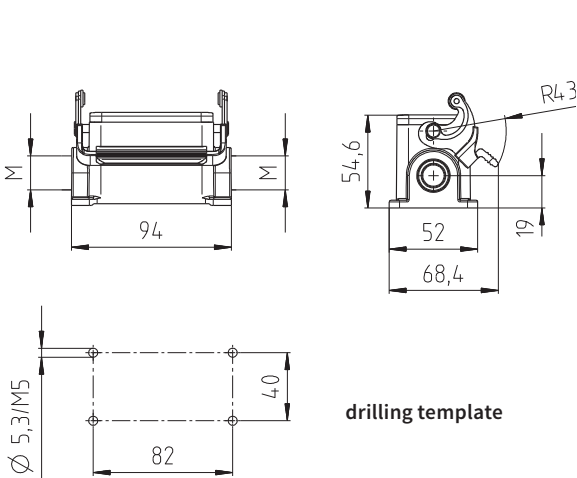


with metal cover

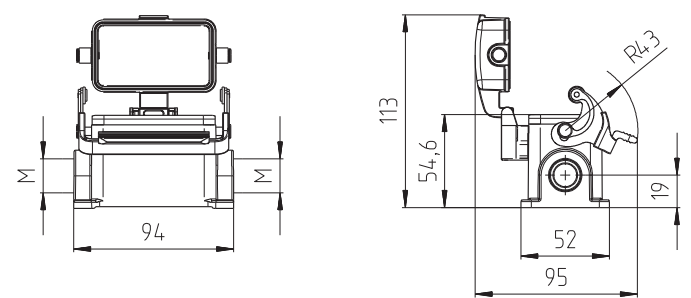


closed, 2 x threaded collar

without cover

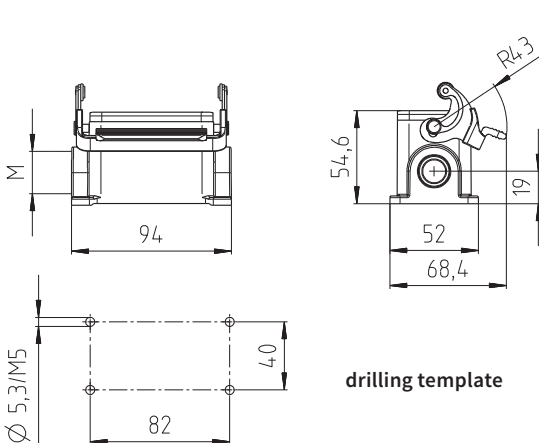


with metal cover

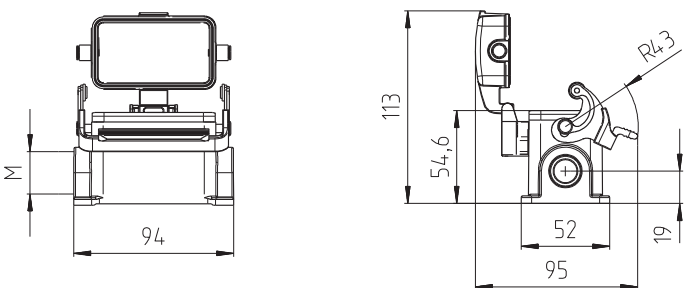


closed, 1 x threaded collar, left

without cover



with metal cover



REVOS BASIC M · HOODS

Size 16, single locking lever



Lateral cable entry



Top cable entry



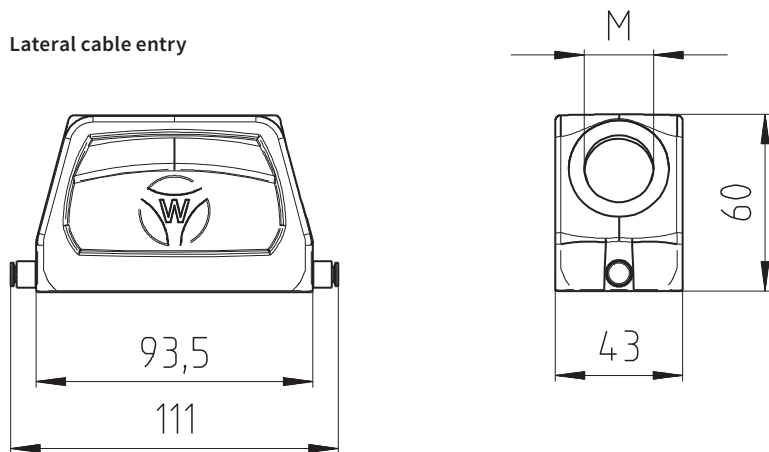
Multipole connectors for cable-to-cable couplings

Description	Type	M	Part No.	P.U.
Hoods, size 16	Aluminum housing			
Lateral cable entry M25 with threaded collar	BAS GOM GG16 M25 B1	25	71.450.1637.1	1
Lateral cable entry M32 with threaded collar	BAS GOM GG16 M32 B1	32	71.453.1637.1	1
Top cable entry M25 with threaded collar	BAS GOM GI16 M25 B1	25	71.452.1637.1	1
Multipole connectors for cable-to-cable couplings M25 with threaded collar top, locking levers and gasket	BAS GOM GL16 M25 B1	25	71.472.1637.1	1
TECHNICAL DATA				
Material	Die cast aluminum alloy			
Surface	-			
Corrosion protection (NSS)	> 2000 hrs according to DIN EN ISO 9227			
Locking levers	Locking lever: stainless steel Handle: heatresistant thermoplastic			
Gasket	Fluorine Elastomer			
Degree of protection				
with appropriate cable glands	IP66 according to DIN EN 60 529			
Protection class according to UL 50	NEMA Type 4/4X/12			
Temperature range	-40 °C...+120 °C			
ACCESSORIES / Description				
Cable gland IP68, nickel-plated brass	Connection range 11 – 18 mm	25	Z5.507.1521.0	10
Cable gland IP68, nickel-plated brass	Connection range 15 – 21 mm	32	Z5.507.1721.0	10
Contact inserts see the product matrix			Page 26–27	

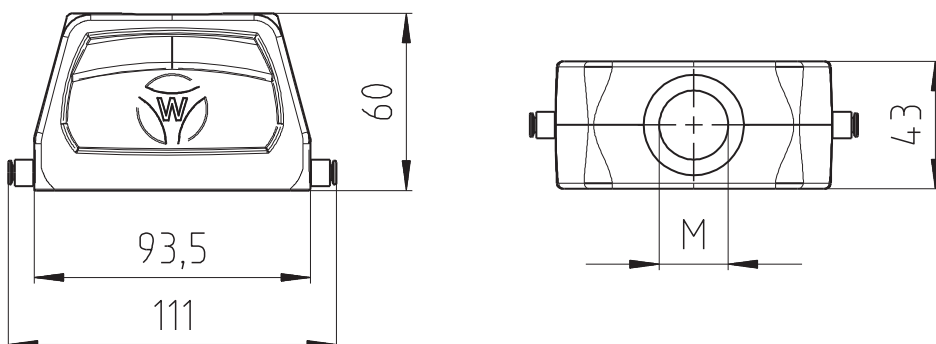
DIMENSIONS

Hoods

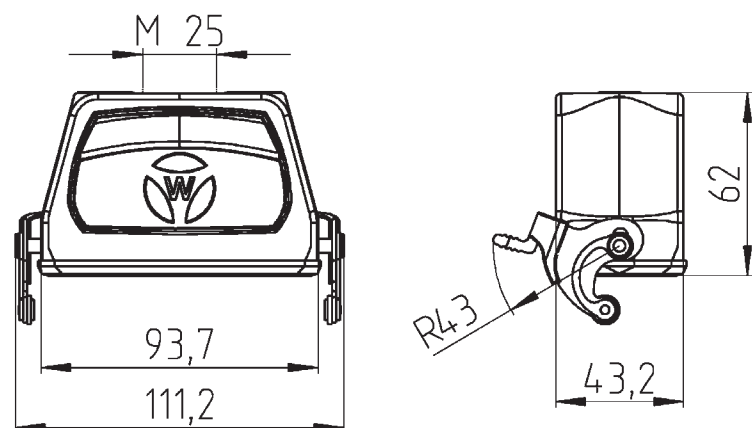
Lateral cable entry



Top cable entry

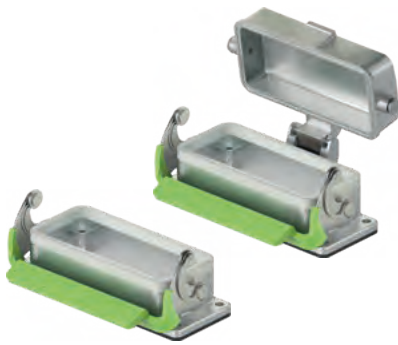


Multipole connectors for cable-to-cable couplings



REVOS BASIC M · BASES

Size 16, single locking lever



open



closed
2 x threaded collar



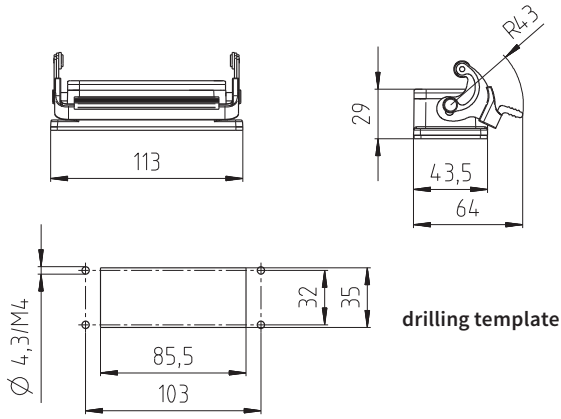
closed
1 x threaded collar, left

Description	Type	M	Part No.	P.U.
Bases, size 16	Aluminum housing			
Open-bottom base				
without cover	BAS GUM GK 16 B		71.420.1637.0	1
with metal cover	BAS GUM GP 16 B		71.425.1637.0	1
Closed-bottom base				
2 x threaded collar M25				
without cover	BAS GUM GL 16 M25 B1	25	71.430.1637.1	1
with metal cover	BAS GUM GR 16 M25 B1	25	71.440.1637.1	1
Closed-bottom base				
1 x threaded collar M25, left				
without cover	BAS GUM GM 16 M25 B1	25	71.431.1637.1	1
with metal cover	BAS GUM GS 16 M25 B1	25	71.441.1637.1	1
Closed-bottom base				
1 x threaded collar M25, right				
with metal cover	BAS GUM GT 16 M25 B1	25	71.442.1637.1	1
TECHNICAL DATA				
Material	Die cast aluminum alloy			
Surface	-			
Corrosion protection (NSS)	> 2000 hrs according to DIN EN ISO 9227			
Locking levers	Locking lever: stainless steel Handle: heatresistant thermoplastic			
Gasket	Fluorine Elastomer			
Degree of protection				
with appropriate cable glands	IP66 according to DIN EN 60 529			
Protection class according to UL 50	NEMA Type 4/4X/12			
Temperature range	-40 °C...+120 °C			
ACCESSORIES / Description				
Cable gland IP68, nickel-plated brass	Connection range 11 – 18 mm	25	Z5.507.1521.0	10
Contact inserts see the product matrix			Page 26–27	

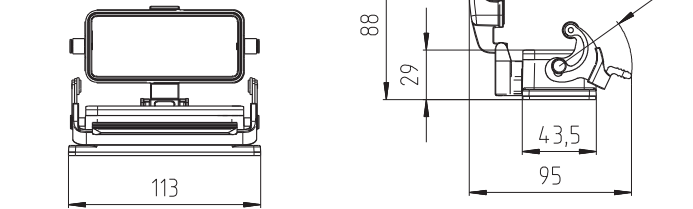
DIMENSIONS

open

without cover

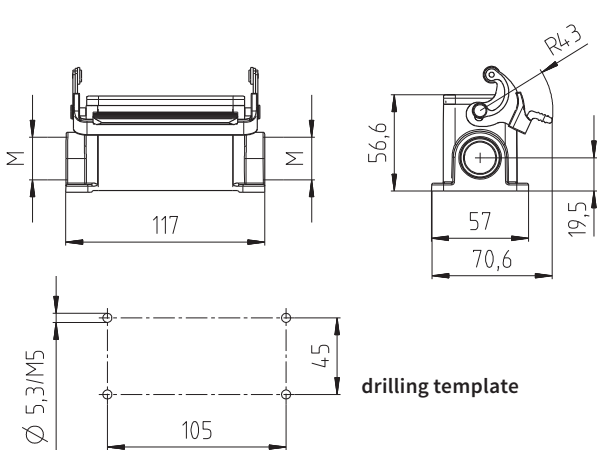


with metal cover

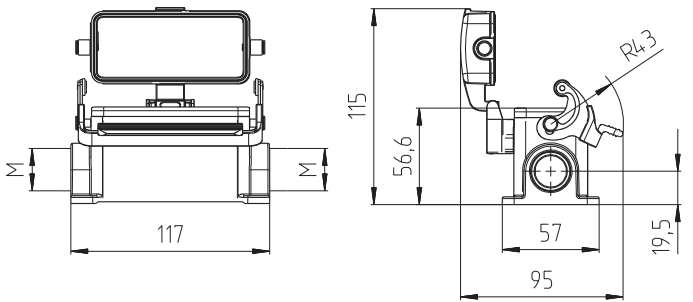


closed, 2 x threaded collar

without cover

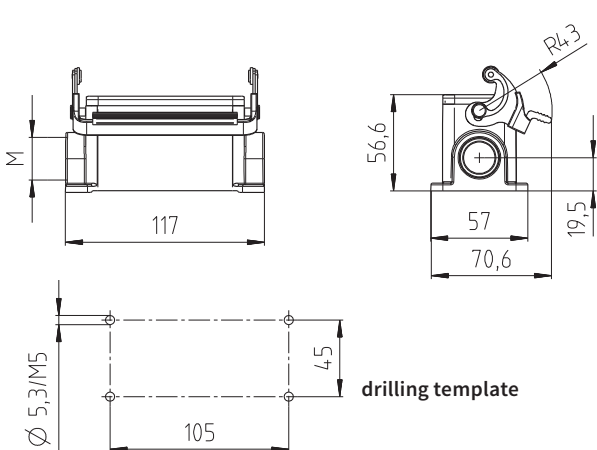


with metal cover

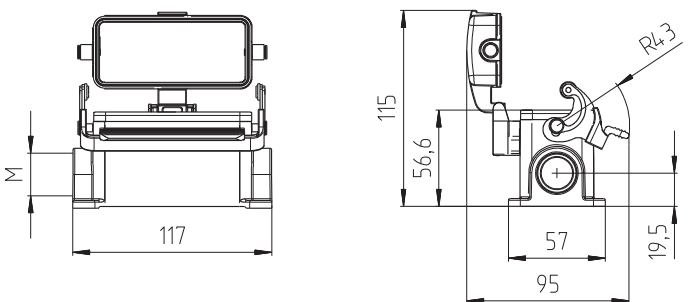


closed, 1 x threaded collar, left

without cover



with metal cover



REVOS BASIC M · HOODS

Size 24, single locking lever



Lateral cable entry



Top cable entry



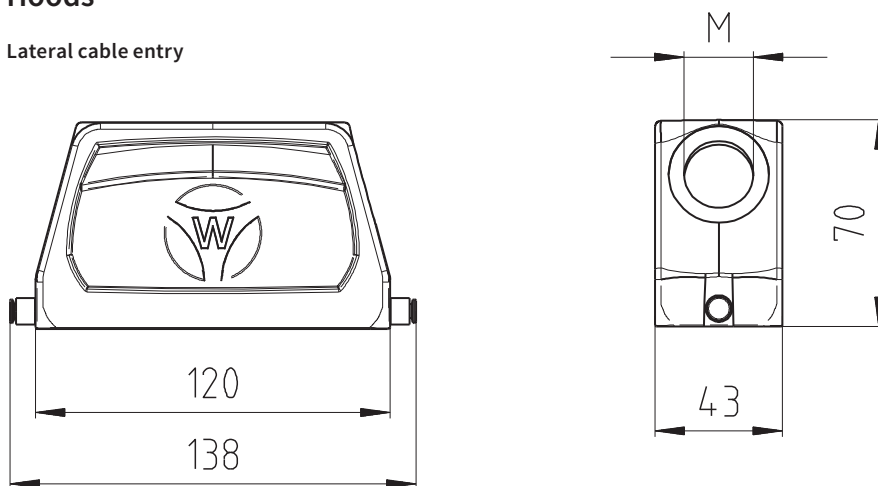
Multipole connectors for cable-to-cable couplings

Description	Type	M	Part No.	P.U.
Hoods, size 24	Aluminum housing			
Lateral cable entry M25 with threaded collar	BAS GOM GG24 M25 B1	25	71.450.2437.1	1
Top cable entry M25 with threaded collar	BAS GOM GI24 M25 B1	25	71.452.2437.1	1
Multipole connectors for cable-to-cable couplings M25 with threaded collar top, locking levers and gasket	BAS GOM GL24 M25 B1	25	71.472.2437.1	1
TECHNICAL DATA				
Material	Die cast aluminum alloy			
Surface	-			
Corrosion protection (NSS)	> 2000 hrs according to DIN EN ISO 9227			
Locking levers	Locking lever: stainless steel Handle: heatresistant thermoplastic			
Gasket	Fluorine Elastomer			
Degree of protection with appropriate cable glands	IP66 according to DIN EN 60 529			
Protection class according to UL 50	NEMA Type 4/4X/12			
Temperature range	-40 °C...+120 °C			
ACCESSORIES / Description	Type	M	Part No.	P.U.
Cable gland IP68, nickel-plated brass	Connection range 11 – 18 mm	25	Z5.507.1521.0	10
Contact inserts see the product matrix				Page 26–27

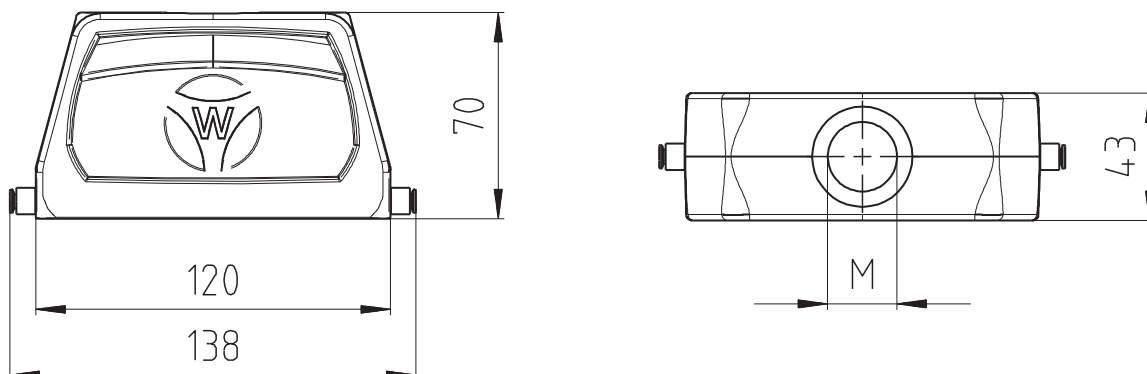
DIMENSIONS

Hoods

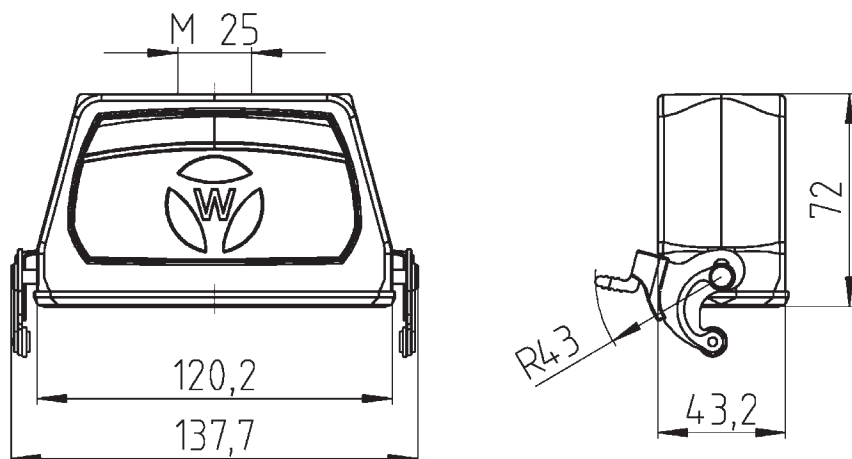
Lateral cable entry



Top cable entry

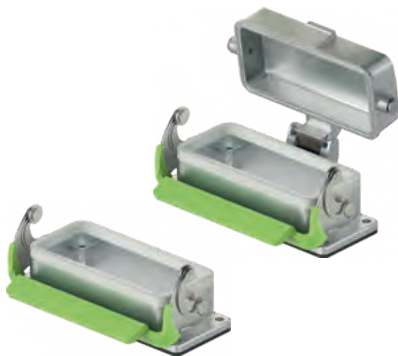


Multipole connectors for cable-to-cable couplings



REVOS BASIC M · BASES

Size 24, single locking lever



open



closed
2 x threaded collar



closed
1 x threaded collar, left

Description	Type	M	Part No.	P.U.
Bases, size 24	Aluminum housing			
Open-bottom base				
without cover	BAS GUM GK 24 B		71.420.2437.0	1
with metal cover	BAS GUM GP 24 B		71.425.2437.0	1
Closed-bottom base				
2 x threaded collar M25				
without cover	BAS GUM GL 24 M25 B1	25	71.430.2437.1	1
with metal cover	BAS GUM GR 24 M25 B1	25	71.440.2437.1	1
Closed-bottom base				
1 x threaded collar M25, left				
without cover	BAS GUM GM 24 M25 B1	25	71.431.2437.1	1
with metal cover	BAS GUM GS 24 M25 B1	25	71.441.2437.1	1

TECHNICAL DATA	
Material	Die cast aluminum alloy
Surface	-
Corrosion protection (NSS)	> 2000 hrs according to DIN EN ISO 9227
Locking levers	Locking lever: stainless steel Handle: heatresistant thermoplastic
Gasket	Fluorine Elastomer
Degree of protection	
with appropriate cable glands	IP66 according to DIN EN 60 529
Protection class according to UL 50	NEMA Type 4/4X/12
Temperature range	-40 °C...+120 °C

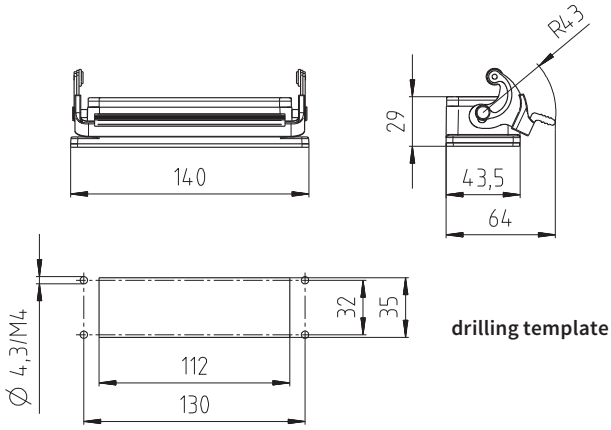
ACCESSORIES / Description	Type	M	Part No.	P.U.
Cable gland IP68, nickel-plated brass	Connection range 11 – 18 mm	25	Z5.507.1521.0	10

Contact inserts see the product matrix Page 26–27

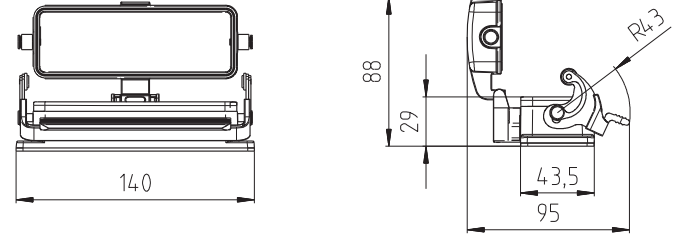
DIMENSIONS

open

without cover

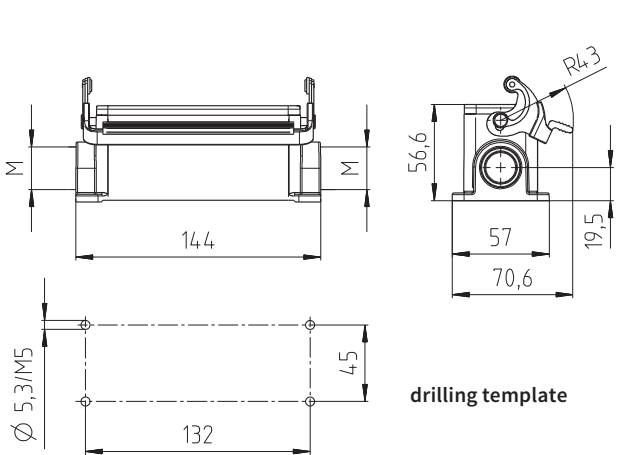


with metal cover

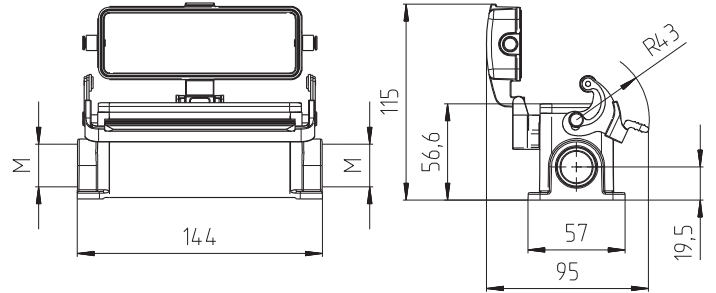


closed, 2 x threaded collar

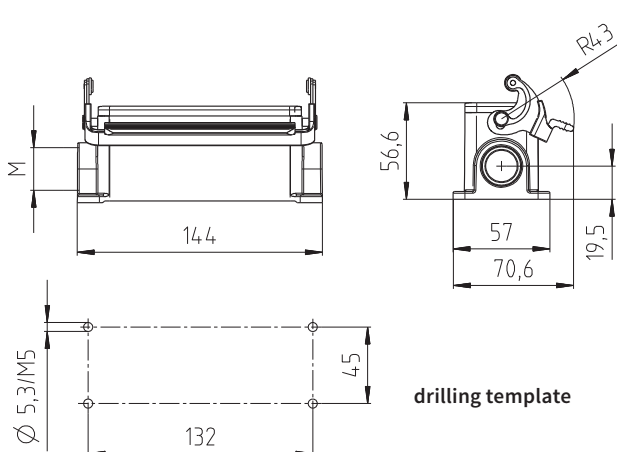
without cover



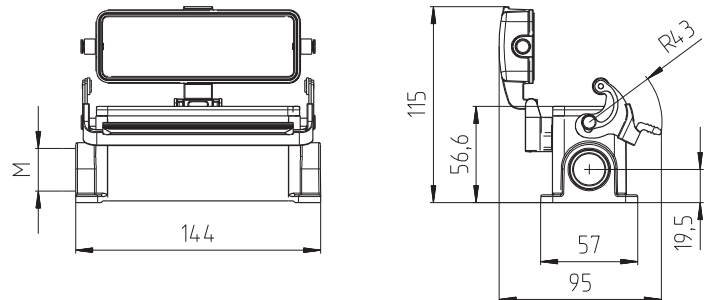
with metal cover



without cover



with metal cover



REVOS HD · HOODS

Size 10/15, single locking lever



Lateral cable entry



Top cable entry



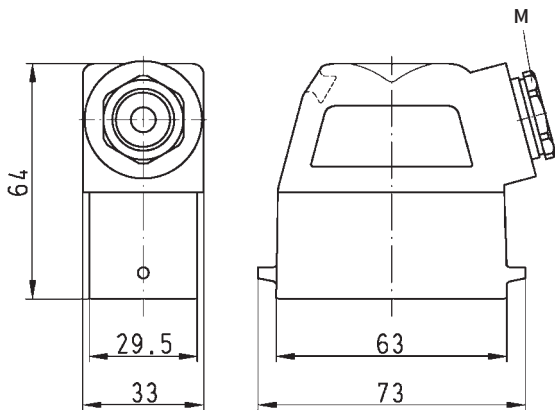
Multipole connectors for cable-to-cable couplings

Description	Type	M	Part No.	P.U.
Hoods, size 10/15				
Aluminum housing				
Lateral cable entry M20				
with cable gland, IP54, $\rightarrow \varnothing \leftarrow$ 3 – 14.5 mm	HD GOT GG 15 M20 50 A0	20	76.350.1535.0	1
with intermediate support	HD GOT GG 15 M20 50 A2	20	76.350.1535.2	1
Lateral cable entry M25				
with cable gland, IP54, $\rightarrow \varnothing \leftarrow$ 8.5 – 17.5 mm	HD GOT GG 15 M25 50 A0	25	76.353.1535.0	1
with threaded collar	HD GOT GG 15 M25 50 A1	25	76.353.1535.1	1
with intermediate support	HD GOT GG 15 M25 50 A2	25	76.353.1535.2	1
Top cable entry M20				
with cable gland, IP54, $\rightarrow \varnothing \leftarrow$ 3 – 14.5 mm	HD GOT GI 15 M20 50 A0	20	76.352.1535.0	1
with threaded collar	HD GOT GI 15 M20 50 A1	20	76.352.1535.1	1
Top cable entry M25				
with cable gland, IP54, $\rightarrow \varnothing \leftarrow$ 8.5 – 17.5 mm	HD GOT GI 15 M25 50 A0	25	76.354.1535.0	1
with threaded collar	HD GOT GI 15 M25 50 A1	25	76.354.1535.1	1
Multipole connectors for cable-to-cable couplings M20				
with cable gland, IP54, $\rightarrow \varnothing \leftarrow$ 3 – 14.5 mm	HD GOT GI 15 M20 50 A0	20	76.352.1535.0	1
with cable gland, IP54, $\rightarrow \varnothing \leftarrow$ 3 – 14.5 mm and locking lever	HD GOT GL 15 M20 50 A0	20	76.372.1535.0	1
with threaded collar	HD GOT GI 15 M20 50 A1	20	76.352.1535.1	1
with threaded collar and locking lever	HD GOT GL 15 M20 50 A1	20	76.372.1535.1	1
TECHNICAL DATA				
Material	Die cast aluminum alloy			
Surface	powder coated			
Locking levers	zinc-plated steel			
Gasket	-			
Degree of protection				
with latched locking levers	IP54			
with appropriate cable glands	IP65			
Temperature range	-40 °C...+120 °C			
ACCESSORIES / Description				
Cable gland IP68, plastic material, gray	Connection range 6 – 12 mm	20	Z5.507.1353.0	10
Cable gland IP68, nickel-plated brass	Connection range 8 – 13 mm	20	Z5.507.1321.0	10
Cable gland IP68, plastic material, gray	Connection range 7 – 16 mm	25	Z5.507.1553.0	10
Cable gland IP68, nickel-plated brass	Connection range 11 – 18 mm	25	Z5.507.1521.0	10
Contact inserts see the product matrix			Page 26–27	

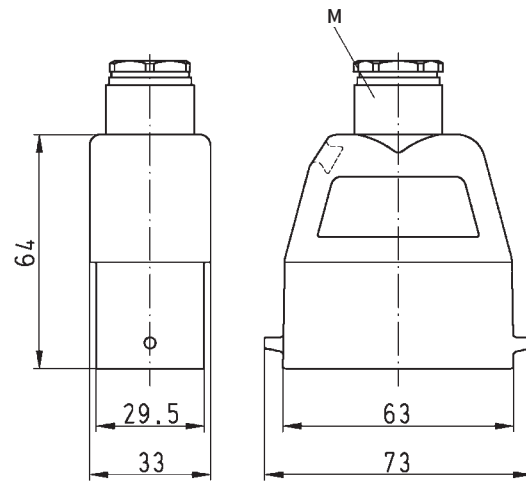
DIMENSIONS

Hoods

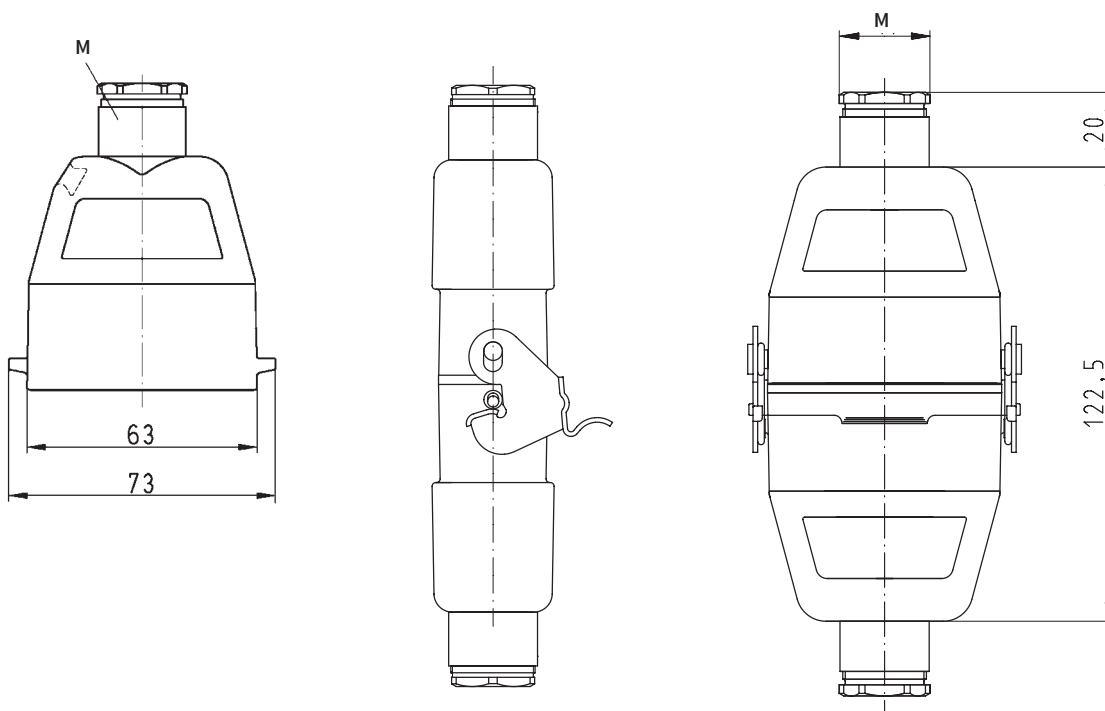
Lateral cable entry



Top cable entry



Multipole connectors for cable-to-cable couplings



REVOS HD · BASES

Size 10/15, single locking lever



open, with or without cover



closed, with or without cover
1 cable gland



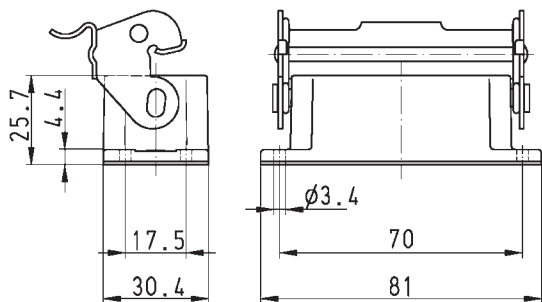
closed, with or without cover
1 cable gland, lateral
cable entry

Description	Type	M	Part No.	P.U.
Bases, size 10/15				
Open-bottom base				
without cover				
without cover	HD GUT GK 15 50 A		76.320.1528.0	1
with metal cover				
with metal cover	HD GUT MP 15 50 A		76.425.1528.0	1
Closed-bottom base				
2 cable entries, 2 x M20				
without cover				
with cable gland, IP54, $\rightarrow \varnothing \leftarrow$ 3 – 14.5 mm	HD GUT GL 15 M20 50 A0	20	76.330.1535.0	1
with threaded collar	HD GUT GL 15 M20 50 A1	20	76.330.1535.1	1
2 cable entries, 2 x M25				
without cover				
with threaded collar	HD GUT GL 15 M25 50 A1	25	76.334.1535.1	1
with metal cover				
with cable gland, IP54, $\rightarrow \varnothing \leftarrow$ 8.5 – 17.5 mm	HD GUT GR 15 M25 50 A0	25	76.444.1535.0	1
with threaded collar	HD GUT GR 15 M25 50 A1	25	76.444.1535.1	1
1 cable entry, left, 1 x M20				
without cover				
with cable gland, IP54, $\rightarrow \varnothing \leftarrow$ 3 – 14.5 mm	HD GUT GM 15 M20 50 A0	20	76.331.1535.0	1
with threaded collar	HD GUT GM 15 M20 50 A1	20	76.331.1535.1	1
with metal cover				
with cable gland, IP54, $\rightarrow \varnothing \leftarrow$ 3 – 14.5 mm	HD GUT MS 15 M20 50 A0	20	76.441.1535.0	1
with threaded collar	HD GUT MS 15 M20 50 A1	20	76.441.1535.1	1
1 cable entry, right, 1 x M20				
without cover				
with threaded collar	HD GUT GN 15 M20 50 A1	20	76.332.1535.1	1
with metal cover				
with cable gland, IP54, $\rightarrow \varnothing \leftarrow$ 3 – 14.5 mm	HD GUT MN 15 M20 50 A0	20	76.442.1535.0	1
with threaded collar	HD GUT MN 15 M20 50 A1	20	76.442.1535.1	1
1 cable entry seitlich, left, 1 x M25				
without cover				
with cable gland, IP54, $\rightarrow \varnothing \leftarrow$ 8.5 – 17.5 mm	HD GUT GM 15 M25 50 A0	25	76.335.1535.0	1
with threaded collar	HD GUT GM 15 M25 50 A1	25	76.335.1535.1	1
with metal cover				
with cable gland, IP54, $\rightarrow \varnothing \leftarrow$ 8.5 – 17.5 mm	HD GUT MS 15 M25 50 A0	25	76.445.1535.0	1
TECHNICAL DATA				
Material	Die cast aluminum alloy			
Surface	powder coated			
Locking levers	zinc-plated steel			
Gasket	NBR			
Degree of protection				
with latched locking levers	IP54			
with appropriate cable glands	IP65			
Temperature range	-40 °C...+120 °C			
ACCESSORIES / Description				
Cable gland IP68, plastic material, gray	Connection range 6 – 12 mm	20	Z5.507.1353.0	10
Cable gland IP68, nickel-plated brass	Connection range 8 – 13 mm	20	Z5.507.1321.0	10
Cable gland IP68, plastic material, gray	Connection range 7 – 16 mm	25	Z5.507.1553.0	10
Cable gland IP68, nickel-plated brass	Connection range 11 – 18 mm	25	Z5.507.1521.0	10
Contact inserts see the product matrix			Page 26–27	

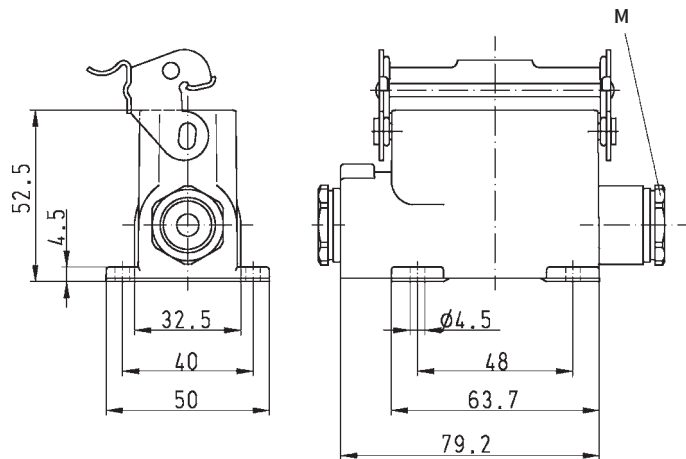
DIMENSIONS

Bases

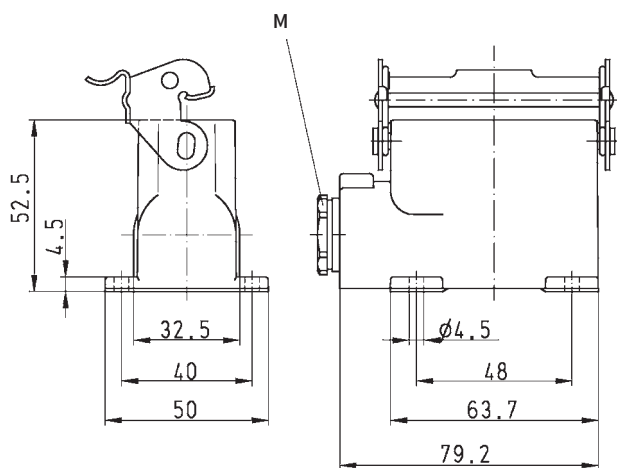
open



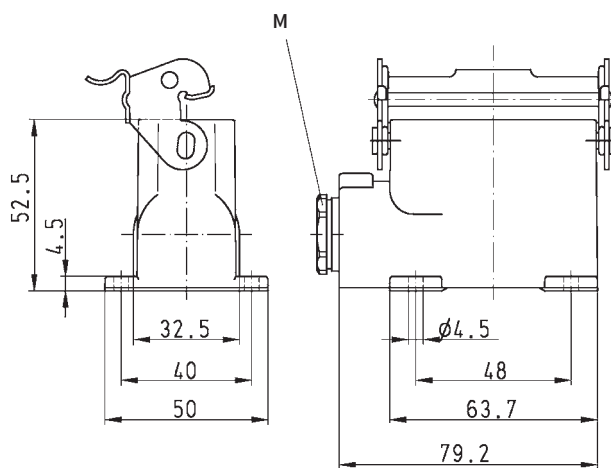
closed, 2 cable glands



closed, 1 cable gland



closed, 1 cable gland, lateral cable entry



REVOS HD · HOODS

Size 16/25, single locking lever



Lateral cable entry



Top cable entry



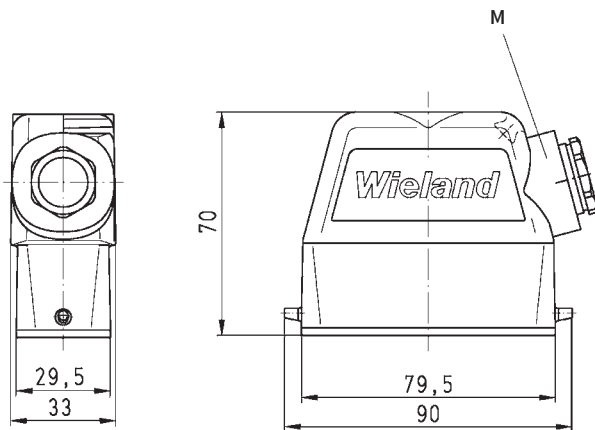
Multipole connectors for cable-to-cable couplings

Description	Type	M	Part No.	P.U.
Hoods, size 16/25		Aluminum housing		
Lateral cable entry M20				
with cable gland, IP54, $\rightarrow \varnothing \leftarrow$ 3 – 14.5 mm	HD GOT GG 25 M20 50 A0	20	76.350.2535.0	1
with intermediate support	HD GOT GG 25 M20 50 A2	20	76.350.2535.2	1
Lateral cable entry M25				
with cable gland, IP54, $\rightarrow \varnothing \leftarrow$ 8.5 – 17.5 mm	HD GOT GG 25 M25 50 A0	25	76.353.2535.0	1
with intermediate support	HD GOT GG 25 M25 50 A2	25	76.353.2535.2	1
Top cable entry M20				
with cable gland, IP54, $\rightarrow \varnothing \leftarrow$ 3 – 14.5 mm	HD GOT GI 25 M20 50 A0	20	76.352.2535.0	1
with threaded collar	HD GOT GI 25 M20 50 A1	20	76.352.2535.1	1
Top cable entry M25				
with cable gland, IP54, $\rightarrow \varnothing \leftarrow$ 8.5 – 17.5 mm	HD GOT GI 25 M25 50 A0	25	76.354.2535.0	1
with threaded collar	HD GOT GI 25 M25 50 A1	25	76.354.2535.1	1
Multipole connectors for cable-to-cable couplings M20				
with cable gland, IP54, $\rightarrow \varnothing \leftarrow$ 3 – 14.5 mm	HD GOT GI 25 M20 50 A0	20	76.352.2535.0	1
with cable gland, IP54, $\rightarrow \varnothing \leftarrow$ 3 – 14.5 mm and locking lever	HD GOT GL 25 M20 50 A0	20	76.372.2535.0	1
with threaded collar	HD GOT GI 25 M20 50 A1	20	76.352.2535.1	1
with threaded collar and locking lever	HD GOT GL 25 M20 50 A1	20	76.372.2535.1	1
Multipole connectors for cable-to-cable couplings M25				
with cable gland, IP54, $\rightarrow \varnothing \leftarrow$ 8.5 – 17.5 mm	HD GOT GI 25 M25 50 A0	25	76.354.2535.0	1
with cable gland, IP54, $\rightarrow \varnothing \leftarrow$ 8.5 – 17.5 mm and locking lever	HD GOT GL 25 M25 50 A0	25	76.374.2535.0	1
TECHNICAL DATA				
Material	Die cast aluminum alloy			
Surface	powder coated			
Locking levers at multipole connectors	Steel			
Gasket	NBR			
Degree of protection				
with latched locking levers	IP54			
with appropriate cable glands	IP65			
Temperature range	-40 °C...+120 °C			
ACCESSORIES / Description				
Cable gland IP68, plastic material, gray	Connection range 6 – 12 mm	20	Z5.507.1353.0	10
Cable gland IP68, nickel-plated brass	Connection range 8 – 13 mm	20	Z5.507.1321.0	10
Cable gland IP68, plastic material, gray	Connection range 7 – 16 mm	25	Z5.507.1553.0	10
Cable gland IP68, nickel-plated brass	Connection range 11 – 18 mm	25	Z5.507.1521.0	10
Contact inserts see the product matrix			Page 26–27	

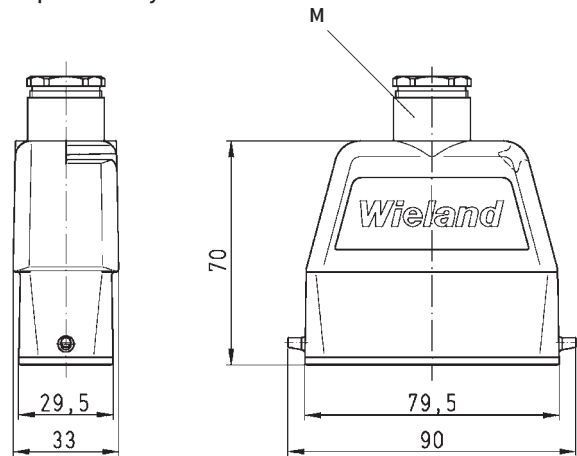
DIMENSIONS

Hoods

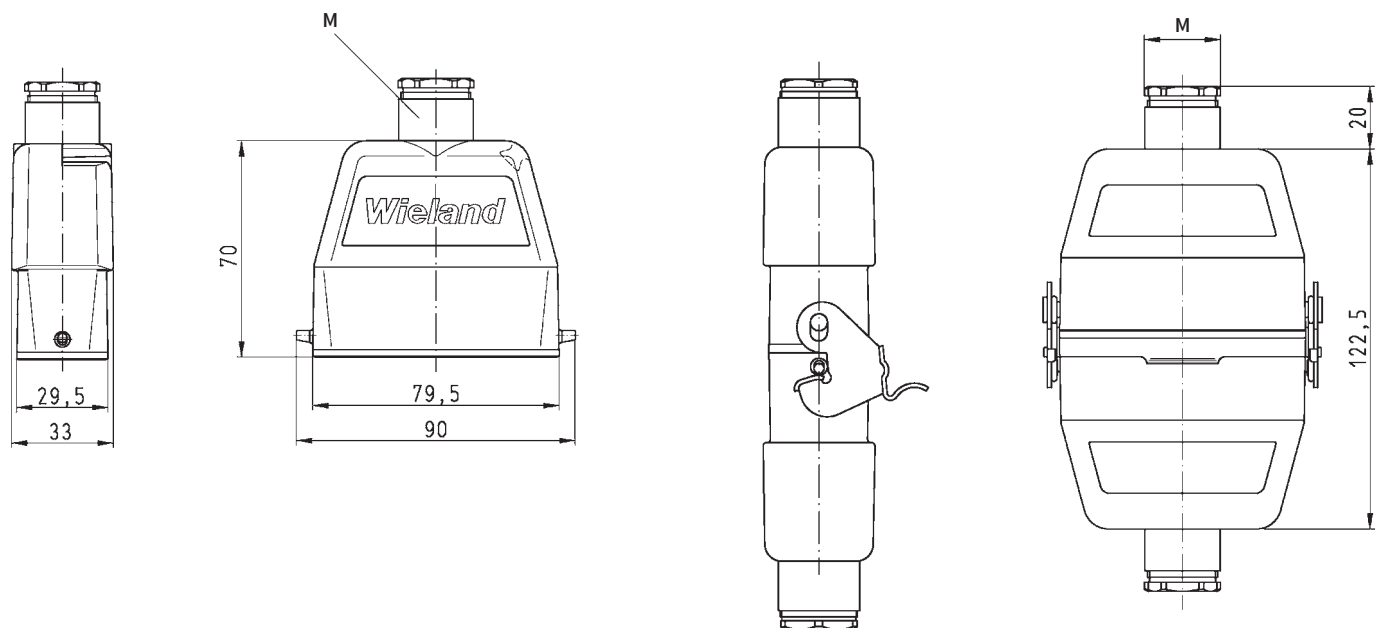
Lateral cable entry



Top cable entry



Multipole connectors for cable-to-cable couplings



REVOS HD · BASES

Size 16/25, single locking lever



open, with or without cover



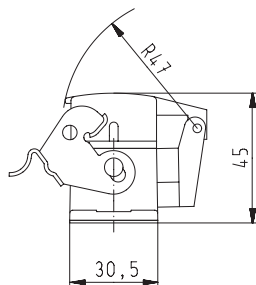
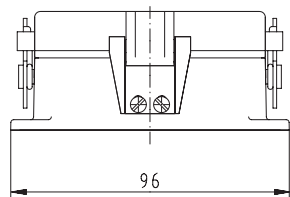
closed, with or without cover
1 cable gland

Description	Type	M	Part No.	P.U.
Bases, size 16/25				
Open-bottom base				
without cover				
without cover	HD GUT GK 25 50 A		76.320.2528.0	1
mit plasticdeckel	HD GUT GP 25 50 A		76.325.2528.0	1
with metal cover	HD GUT MP 25 50 A		76.425.2528.0	1
Closed-bottom base				
2 cable entries, 2 x M20				
without cover				
with cable gland, IP54, $\rightarrow \text{Ø} \leftarrow$ 3 – 14.5 mm	HD GUT GL 25 M20 50 A0	20	76.330.2535.0	1
with threaded collar	HD GUT GL 25 M20 50 A1	20	76.330.2535.1	1
with metal cover				
with threaded collar	HD GUT MR 25 M20 50 A1	20	76.440.2535.1	1
2 cable entries, 2 x M25				
without cover				
with cable gland, IP54, $\rightarrow \text{Ø} \leftarrow$ 8.5 – 17.5 mm	HD GUT GL 25 M25 50 A0	25	76.334.2535.0	1
with threaded collar	HD GUT GL 25 M25 50 A1	25	76.334.2535.1	1
with metal cover				
with cable gland, IP54, $\rightarrow \text{Ø} \leftarrow$ 8.5 – 17.5 mm	HD GUT MR 25 M25 50 A0	25	76.444.2535.0	1
with threaded collar	HD GUT MR 25 M25 50 A1	25	76.444.2535.1	1
1 cable entry, left, 1 x M20				
without cover				
with cable gland, IP54, $\rightarrow \text{Ø} \leftarrow$ 3 – 14.5 mm	HD GUT GM 25 M20 50 A0	20	76.331.2535.0	1
with threaded collar	HD GUT GM 25 M20 50 A1	20	76.331.2535.1	1
with metal cover				
with cable gland, IP54, $\rightarrow \text{Ø} \leftarrow$ 3 – 14.5 mm	HD GUT MS 25 M20 50 A0	20	76.441.2535.0	1
with threaded collar	HD GUT MS 25 M20 50 A1	20	76.441.2535.1	1
1 cable entry, right, 1 x M20				
with metal cover				
with threaded collar	HD GUT MN 25 M20 50 A1	20	76.442.2535.1	1
1 cable entry, left, 1 x M25				
without cover				
with cable gland, IP54, $\rightarrow \text{Ø} \leftarrow$ 8.5 – 17.5 mm	HD GUT GM 25 M25 50 A0	25	76.335.2535.0	1
with threaded collar	HD GUT GM 25 M25 50 A1	25	76.335.2535.1	1
with metal cover				
with cable gland, IP54, $\rightarrow \text{Ø} \leftarrow$ 8.5 – 17.5 mm	HD GUT MS 25 M25 50 A0	25	76.445.2535.0	1
with threaded collar	HD GUT MS 25 M25 50 A1	25	76.445.2535.1	1
1 cable entry, right, 1 x M25				
with metal cover				
with cable gland, IP54, $\rightarrow \text{Ø} \leftarrow$ 8.5 – 17.5 mm	HD GUT MN 25 M25 50 A0	25	76.446.2535.0	1
with threaded collar	HD GUT MN 25 M25 50 A1	25	76.446.2535.1	1
TECHNICAL DATA				
Material	Die cast aluminum alloy			
Surface	powder coated			
Locking levers	zinc-plated steel			
Gasket	NBR			
Degree of protection				
with latched locking levers	IP54			
with appropriate cable glands	IP65			
Temperature range	-40 °C...+120 °C			
ACCESSORIES / Description				
Cable gland IP68, plastic material, gray	Connection range 6 – 12 mm	20	Z5.507.1353.0	10
Cable gland IP68, nickel-plated brass	Connection range 8 – 13 mm	20	Z5.507.1321.0	10
Cable gland IP68, plastic material, gray	Connection range 7 – 16 mm	25	Z5.507.1553.0	10
Cable gland IP68, nickel-plated brass	Connection range 11 – 18 mm	25	Z5.507.1521.0	10
Contact inserts see the product matrix			Page 26–27	

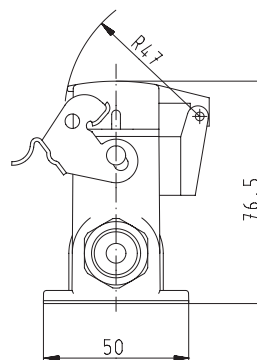
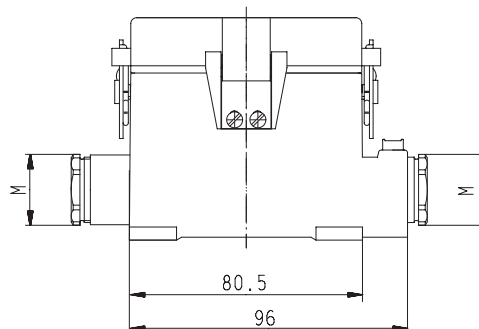
DIMENSIONS

Bases

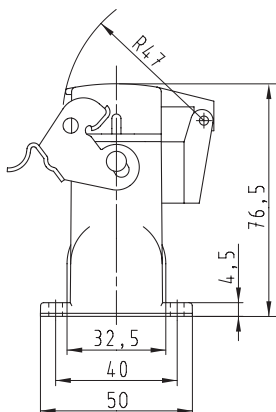
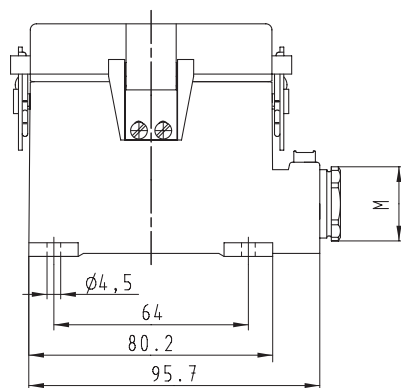
open with cover



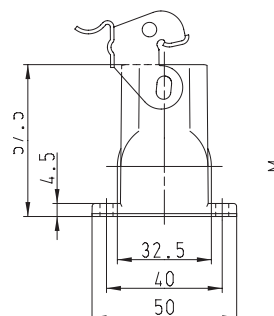
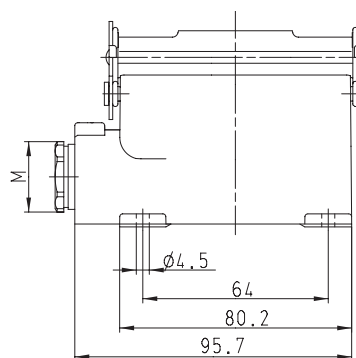
closed with cover, 2 cable glands



closed with cover, 1 cable gland



closed without cover, 1 cable gland



REVOS HD · HOODS

Size 32/50, double locking lever



Lateral cable entry



Top cable entry



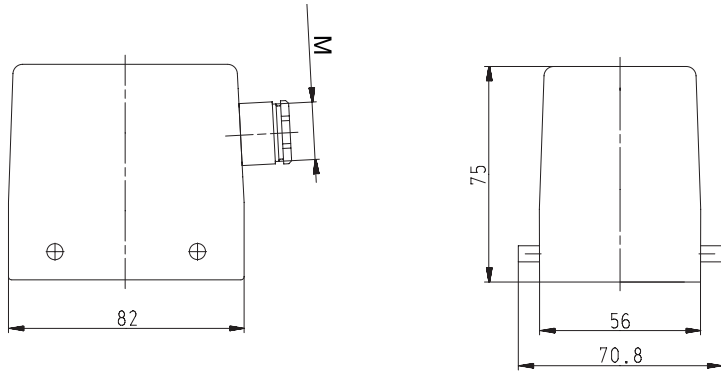
Multipole connectors for cable-to-cable couplings

Description	Type	M	Part No.	P.U.
Hoods, size 32/50		Aluminum housing		
Lateral cable entry M25				
with cable gland, IP54, $\rightarrow \text{Ø} \leftarrow$ 8.5 – 17.5 mm	HD GOT GA 32 M25 69 A0	25	73.350.3235.0	1
with threaded collar	HD GOT GA 32 M25 69 A1	25	73.350.3235.1	1
Lateral cable entry M32				
with cable gland, IP54, $\rightarrow \text{Ø} \leftarrow$ 16 – 25 mm	HD GOT GA 32 M32 69 A0	32	73.353.3235.0	1
with threaded collar	HD GOT GA 32 M32 69 A1	32	73.353.3235.1	1
Top cable entry M25				
with cable gland, IP54, $\rightarrow \text{Ø} \leftarrow$ 8.5 – 17.5 mm	HD GOT GC 32 M25 69 A0	25	73.352.3235.0	1
with threaded collar	HD GOT GC 32 M25 69 A1	25	73.352.3235.1	1
Top cable entry M32				
with cable gland, IP54, $\rightarrow \text{Ø} \leftarrow$ 16 – 25 mm	HD GOT GC 32 M32 69 A0	32	73.354.3235.0	1
with threaded collar	HD GOT GC 32 M32 69 A1	32	73.354.3235.1	1
Multipole connectors for cable-to-cable couplings M25				
with threaded collar	HD GOT GK 32 M25 69 A1	25	73.372.3235.1	1
Multipole connectors for cable-to-cable couplings M32				
with cable gland, IP54, $\rightarrow \text{Ø} \leftarrow$ 16 – 25 mm	HD GOT GK 32 M32 69 A0	32	73.374.3235.0	1
with threaded collar	HD GOT GK 32 M32 69 A1	32	73.374.3235.1	1
TECHNICAL DATA				
Material	Die cast aluminum alloy			
Surface	powder coated			
Locking levers	zinc-plated steel			
Gasket	NBR			
Degree of protection				
with latched locking levers	IP54			
with appropriate cable glands	IP65			
Temperature range	-40 °C...+120 °C			
ACCESSORIES / Description				
Cable gland IP68, plastic material, gray	Connection range 7 – 16 mm	25	Z5.507.1553.0	10
Cable gland IP68, nickel-plated brass	Connection range 11 – 18 mm	25	Z5.507.1521.0	10
Cable gland IP68, plastic material, gray	Connection range 15 – 21 mm	32	Z5.507.1753.0	10
Cable gland IP68, nickel-plated brass	Connection range 15 – 21 mm	32	Z5.507.1721.0	10
Contact inserts see the product matrix			Page 26–27	

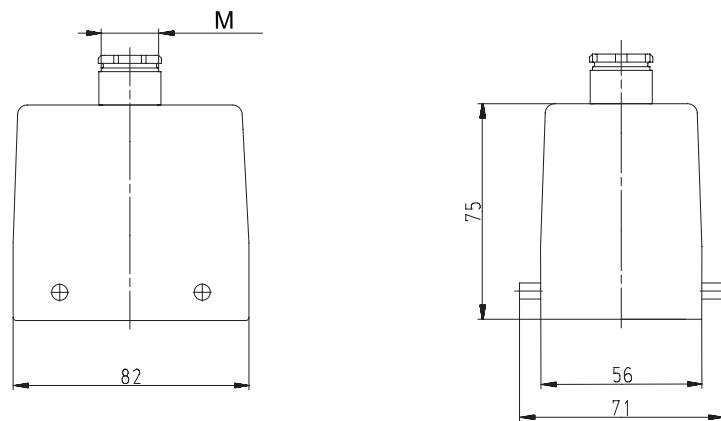
DIMENSIONS

Hoods

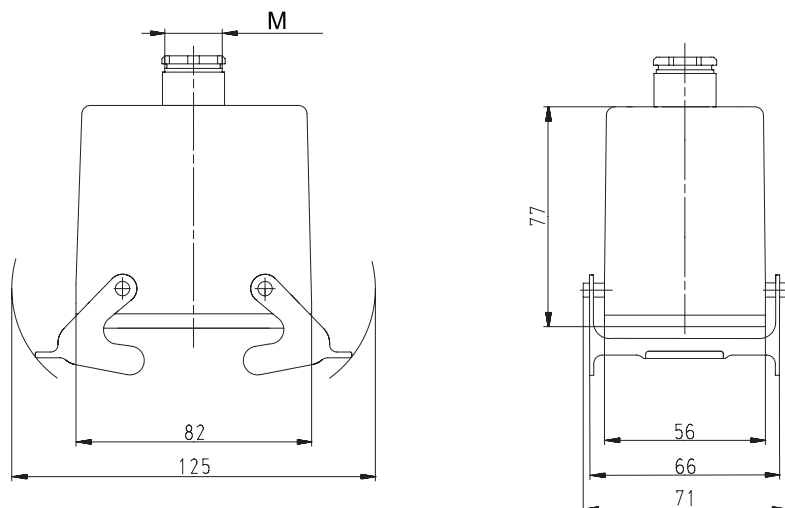
Lateral cable entry



Top cable entry

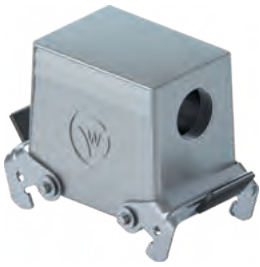


Multipole connectors for cable-to-cable couplings



REVOS HD · HOODS

Size 32/50, double locking lever with locking levers



Lateral cable entry



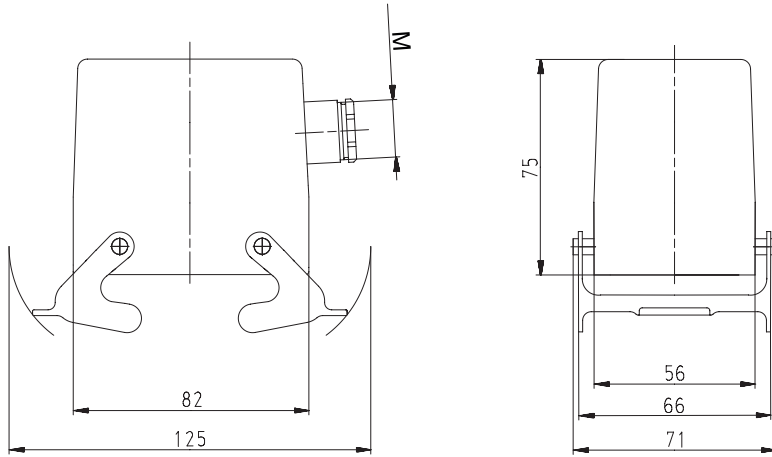
Top cable entry

Description	Type	M	Part No.	P.U.
Hoods, size 32/50	Aluminum housing			
Lateral cable entry M25				
with cable gland, IP54, → Ø ← 8.5 – 17.5 mm	HD GOT GD 32 M25 69 A0	25	73.355.3235.0	1
with threaded collar	HD GOT GD 32 M25 69 A1	25	73.355.3235.1	1
Lateral cable entry M32				
with cable gland, IP54, → Ø ← 16 – 25 mm	HD GOT GD 32 M32 69 A0	32	73.358.3235.0	1
with threaded collar	HD GOT GD 32 M32 69 A1	32	73.358.3235.1	1
Top cable entry M32				
with threaded collar	HD GOT GF 32 M32 69 A1	32	73.359.3235.1	1
TECHNICAL DATA				
Material metal/plastic	Die cast aluminum alloy			
Surface	powder coated			
Locking levers	zinc-plated steel			
Gasket	NBR			
Degree of protection				
with latched locking levers	IP54			
with appropriate cable glands	IP65			
Temperature range	-40 °C...+120 °C			
ACCESSORIES / Description				
Cable gland IP68, plastic material, gray	Connection range 7 – 16 mm	25	Z5.507.1553.0	10
Cable gland IP68, nickel-plated brass	Connection range 11 – 18 mm	25	Z5.507.1521.0	10
Cable gland IP68, plastic material, gray	Connection range 15 – 21 mm	32	Z5.507.1753.0	10
Cable gland IP68, nickel-plated brass	Connection range 15 – 21 mm	32	Z5.507.1721.0	10
Contact inserts see the product matrix				Page 26–27

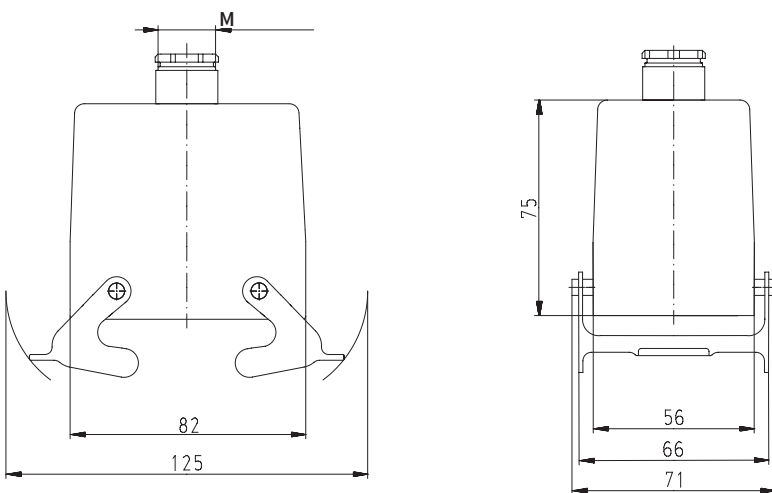
DIMENSIONS

Hoods with Locking levers

Lateral cable entry



Top cable entry



REVOS HD · BASES

Size 32/50, double locking lever



open, with or without cover



closed, with or without cover
2 cable entries



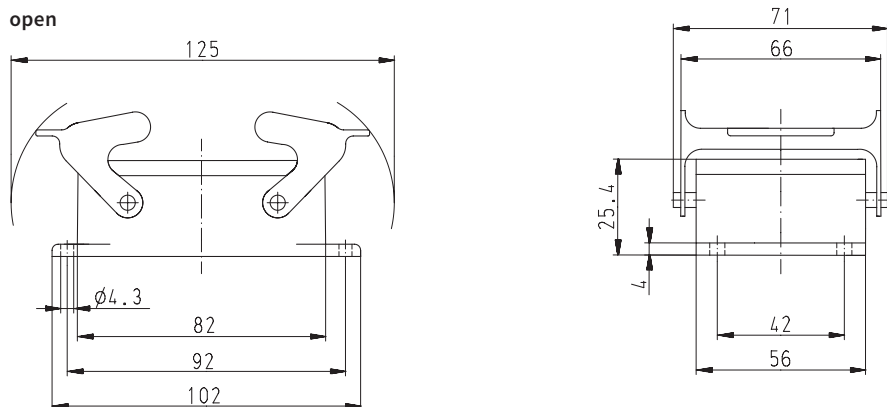
closed, with or without cover
1 cable entry

Description	Type	M	Part No.	P.U.
Bases, size 32/50	Aluminum housing			
Open-bottom base				
without cover	HD GUT GA	32 69 A	73.320.3228.0	1
with metal cover	HD GUT GE	32 69 A	73.325.3228.0	1
Closed-bottom base				
2 cable entries, 2 x M25				
without cover				
with cable gland, IP54, $\rightarrow \text{Ø} \leftarrow$ 8.5 – 17.5 mm	HD GUT GB	32 M25 69 A0 25	73.330.3235.0	1
with threaded collar	HD GUT GB	32 M25 69 A1 25	73.330.3235.1	1
with metal cover				
with threaded collar	HD GUT GF	32 M25 69 A1 25	73.340.3235.1	1
2 cable entries, 2 x M32				
without cover				
with threaded collar	HD GUT GB	32 M32 69 A1 32	73.334.3235.1	1
with metal cover				
with threaded collar	HD GUT GF	32 M32 69 A1 32	73.344.3235.1	1
1 cable entry, left, 1 x M25				
without cover				
with cable gland, IP54, $\rightarrow \text{Ø} \leftarrow$ 8.5 – 17.5 mm	HD GUT GC	32 M25 69 A0 25	73.331.3235.0	1
with threaded collar	HD GUT GC	32 M25 69 A1 25	73.331.3235.1	1
with metal cover				
with cable gland, IP54, $\rightarrow \text{Ø} \leftarrow$ 8.5 – 17.5 mm	HD GUT GH	32 M25 69 A0 25	73.342.3235.0	1
with threaded collar	HD GUT GH	32 M25 69 A1 25	73.342.3235.1	1
1 cable entry, left, 1 x M32				
without cover				
with cable gland, IP54, $\rightarrow \text{Ø} \leftarrow$ 16 – 25 mm	HD GUT GC	32 M32 69 A0 32	73.335.3235.0	1
with threaded collar	HD GUT GC	32 M32 69 A1 32	73.335.3235.1	1
with metal cover				
with threaded collar	HD GUT GH	32 M32 69 A1 32	73.346.3235.1	1
TECHNICAL DATA				
Material	Die cast aluminum alloy			
Surface	powder coated			
Locking levers	zinc-plated steel			
Gasket	NBR			
Degree of protection				
with latched locking levers	IP54			
with appropriate cable glands	IP65			
Temperature range	-40 °C...+120 °C			
ACCESSORIES / Description				
Cable gland IP68, plastic material, gray	Connection range 7 – 16 mm	25	Z5.507.1553.0	10
Cable gland IP68, nickel-plated brass	Connection range 11 – 18 mm	25	Z5.507.1521.0	10
Cable gland IP68, plastic material, gray	Connection range 15 – 21 mm	32	Z5.507.1753.0	10
Cable gland IP68, nickel-plated brass	Connection range 15 – 21 mm	32	Z5.507.1721.0	10
Contact inserts see the product matrix			Page 26–27	

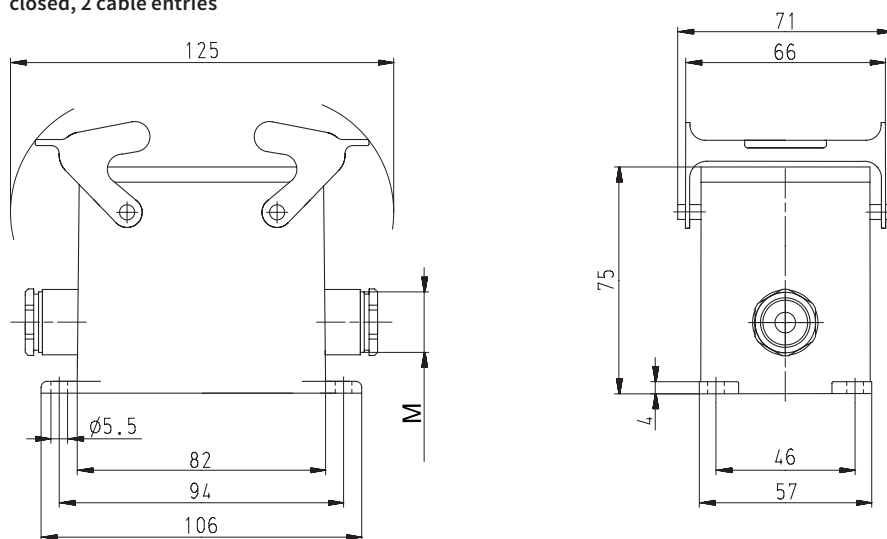
DIMENSIONS

Bases, with and without Locking levers

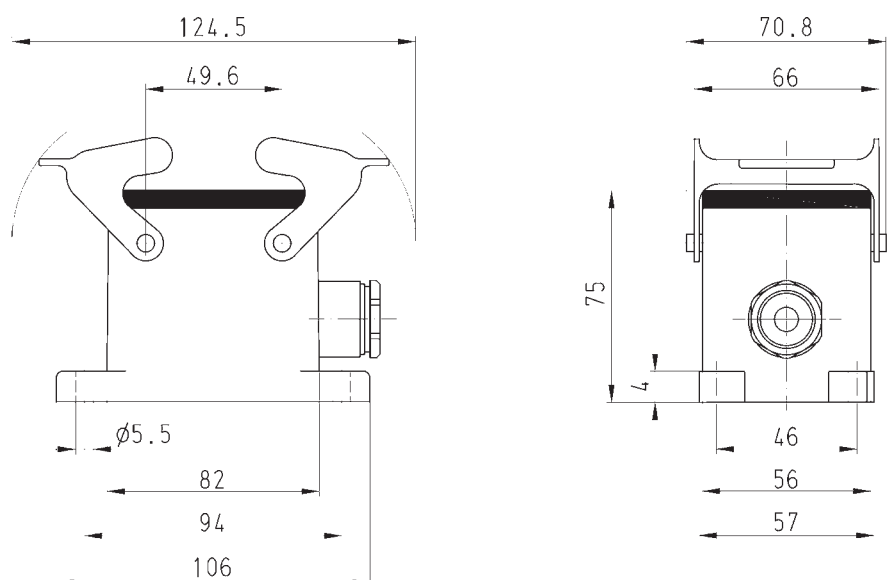
open



closed, 2 cable entries



closed, 1 cable entry



Subject to technical modifications



REVOS · HOODS

Size 6Ex, single locking lever



Lateral cable entry



Top cable entry

Multipole connectors for cable-to-cable couplings with Locking levers and gasket



Lateral cable entry



Top cable entry

Description	Type	M	Part No.	P.U.
Hoods, size 6Ex	Housing, die cast zinc alloy			
Lateral cable entry M20				
with threaded collar	EX GOT GG 6 M20 09IA Z1	20	70.350.0636.1	1
with strain relief, IP54 → Ø ← 9 – 13.5 mm	EX GOT GG 6 M20 09IA Z3	20	70.350.0636.3	1
Lateral cable entry M25				
with threaded collar	EX GOT GG 6 M25 09IA Z1	25	70.353.0636.1	1
with strain relief, IP54 → Ø ← 14 – 20 mm	EX GOT GG 6 M25 09IA Z3	25	70.353.0636.3	1
Top cable entry M20				
with threaded collar	EX GOT GI 6 M20 09IA Z1	20	70.352.0636.1	1
with strain relief, IP54 → Ø ← 9 – 13.5 mm	EX GOT GI 6 M20 09IA Z3	20	70.352.0636.3	1
Top cable entry M25				
with threaded collar	EX GOT GI 6 M25 09IA Z1	25	70.354.0636.1	1
with strain relief, IP54 → Ø ← 14 – 20 mm	EX GOT GI 6 M25 09IA Z3	25	70.354.0636.3	1
Multipole connectors for cable-to-cable couplings with Locking levers and gasket				
Lateral cable entry M20				
with strain relief, IP54 → Ø ← 9 – 13.5 mm	EX GOT GT 6 M20 09IA Z4	20	99.731.3329.7	10
Lateral cable entry M25				
with strain relief, IP54 → Ø ← 14 – 20 mm	EX GOT GT 6 M25 09IA Z4	25	99.732.3329.7	1
Top cable entry M20				
with strain relief, IP54 → Ø ← 9 – 13.5 mm	EX GOT GR 6 M20 09IA Z3	20	99.741.3329.7	10
Top cable entry M25				
with strain relief, IP54 → Ø ← 14 – 20 mm	EX GOT GR 6 M25 09IA Z3	25	99.742.3329.7	10
TECHNICAL DATA				
Material	Die cast zinc alloy			
Surface	powder coated, light blue			
Locking levers	zinc-plated steel			
Gasket	NBR			
Degree of protection				
with latched locking levers	IP54			
with appropriate cable glands	IP65			
Temperature range	-20 °C...+60 °C			
Contact inserts	see the product matrix			Page 26–27

Special conditions for safe use:

1. The heavy duty connectors must be attached to a device in such a way that a minimum protection rating of IP54 is maintained in accordance with EN 60529.
2. The plug connectors can be used in an ambient temperature ranges of -20 °C to +60 °C.

See section “FACTS&DATA” for handling and assembly of the multipole connectors.

 I M1 Ex ia I

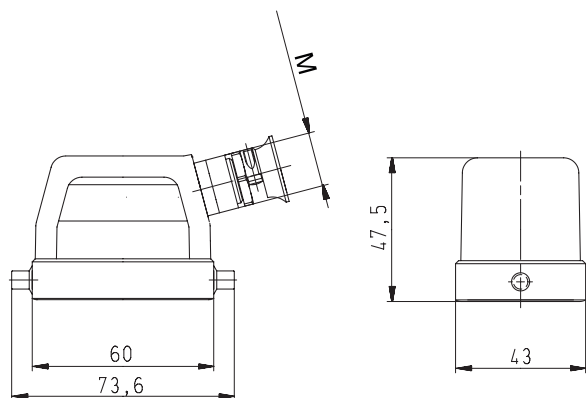
EN 60079-0:2006 EN 60079-11:2007 EN 50303:2000

For assembly instructions, see page 320 and 325.

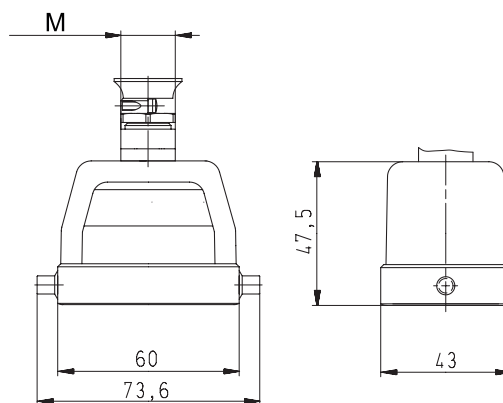
DIMENSIONS

Hoods

Lateral cable entry

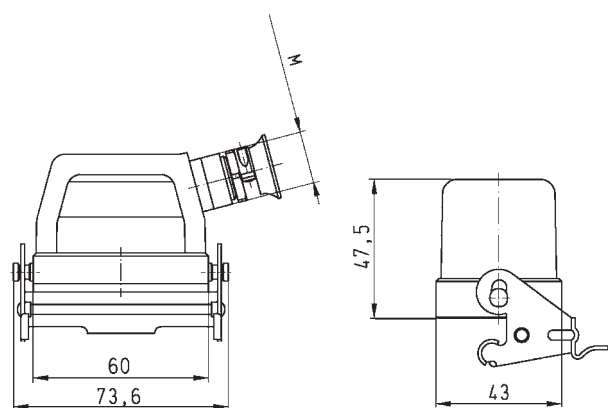


Top cable entry

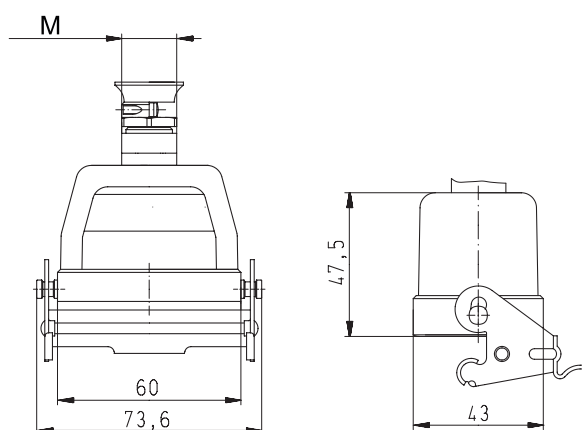


Multipole connectors for cable-to-cable couplings with Locking levers and gasket

Lateral cable entry



Top cable entry



REVOS · BASES

Size 6Ex, single locking lever



open, with or without cover



closed, with or without cover
1 cable entry, lateral cable entry



closed, with cover
1 cable entry, bottom

Description	Type	M	Part No.	P.U.
Bases, size 6Ex	Housing, die cast zinc alloy			
Open-bottom base				
without cover	EX GUT GK 6 09IA Z		70.320.0628.9	1
with cover	EX GUT GP 6 09IA Z		70.325.0628.9	1
cover with gasket	EX GUT GV 6 09IA Z		99.700.3329.7	10
Closed-bottom base				
2 cable entries, 2 x M20				
without cover				
with cable gland, IP54, $\rightarrow \text{Ø} \leftarrow 3 - 14.5 \text{ mm}$	EX GUT GL 6 M20 09IA Z0 20		70.330.0636.0	1
with cover				
with cable gland, IP54, $\rightarrow \text{Ø} \leftarrow 3 - 14.5 \text{ mm}$	EX GUT GR 6 M20 09IA Z0 20		70.340.0636.0	1
2 cable entries, 2 x M25				
without cover				
with cable gland, IP54, $\rightarrow \text{Ø} \leftarrow 8.5 - 17.5 \text{ mm}$	EX GUT GL 6 M25 09IA Z0 25		70.334.0636.0	1
with cover				
with cable gland, IP54, $\rightarrow \text{Ø} \leftarrow 8.5 - 17.5 \text{ mm}$	EX GUT GR 6 M25 09IA Z0 25		70.344.0636.0	1
1 cable entry, left, 1 x M20				
without cover				
with cable gland, IP54, $\rightarrow \text{Ø} \leftarrow 3 - 14.5 \text{ mm}$	EX GUT GM 6 M20 09IA Z0 20		70.331.0636.0	1
with cover				
with cable gland, IP54, $\rightarrow \text{Ø} \leftarrow 3 - 14.5 \text{ mm}$	EX GUT GS 6 M20 09IA Z0 20		70.341.0636.0	1
1 cable entry, left, 1 x M25				
without cover				
with cable gland, IP54, $\rightarrow \text{Ø} \leftarrow 8.5 - 17.5 \text{ mm}$	EX GUT GM 6 M25 09IA Z0 25		70.335.0636.0	1
with cover				
with cable gland, IP54, $\rightarrow \text{Ø} \leftarrow 8.5 - 17.5 \text{ mm}$	EX GUT GS 6 M25 09IA Z0 25		70.345.0636.0	1
1 cable entry, right, 1 x M20				
with cover				
with cable gland, IP54, $\rightarrow \text{Ø} \leftarrow 3 - 14.5 \text{ mm}$	EX GUT GT 6 M20 09IA Z0 20		70.342.0636.0	1
1 cable entry, right, 1 x M25				
with cover				
with cable gland, IP54, $\rightarrow \text{Ø} \leftarrow 8.5 - 17.5 \text{ mm}$	EX GUT GT 6 M25 09IA Z0 25		70.346.0636.0	1
1 cable entry, bottom, 1 x M20				
without cover				
with cable gland, IP54, $\rightarrow \text{Ø} \leftarrow 3 - 14.5 \text{ mm}$	EX GUT GO 6 M20 09IA Z0 20		70.333.0636.0	1
with cover				
with cable gland, IP54, $\rightarrow \text{Ø} \leftarrow 3 - 14.5 \text{ mm}$	EX GUT GU 6 M20 09IA Z0 20		70.343.0636.0	1
1 cable entry, bottom, 1 x M25				
with cover				
with cable gland, IP54, $\rightarrow \text{Ø} \leftarrow 8.5 - 17.5 \text{ mm}$	EX GUT GU 6 M25 09IA Z0 25		70.347.0636.0	1
TECHNICAL DATA				
Material metal/plastic	Die cast zinc alloy/Cover Polyamide			
Surface	powder coated, light blue			
Locking levers	zinc-plated steel			
Gasket	NBR			
Degree of protection				
with latched locking levers	IP54			
with appropriate cable glands	IP65			
Temperature range	-20 °C...+60 °C			
Contact inserts see the product matrix			Page 26–27	

Special conditions for safe use:

1. The heavy duty connectors must be attached to a device in such a way that a minimum protection rating of IP54 is maintained in accordance with EN 60529.
2. The plug connectors can be used in an ambient temperature ranges of -20 °C to +60 °C.

See section "FACTS&DATA" for handling and assembly of the multipole connectors.

 I M1 Ex ia I

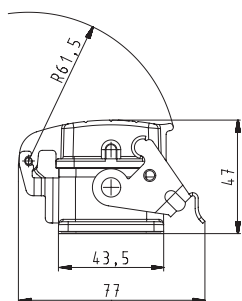
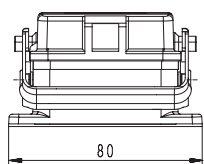
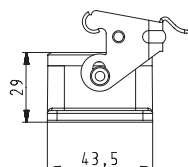
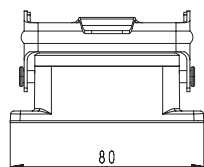
EN 60079-0:2006 EN 60079-11:2007 EN 50303:2000

For assembly instructions, see page 320 and 325.

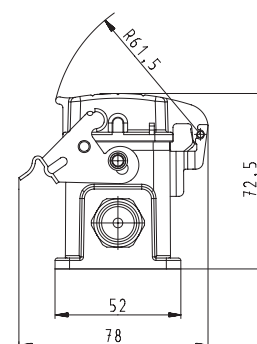
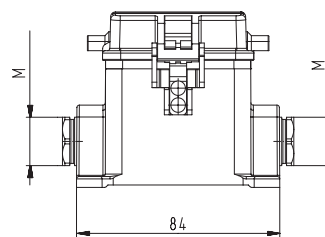
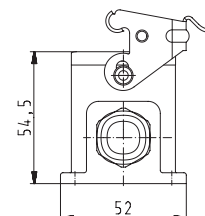
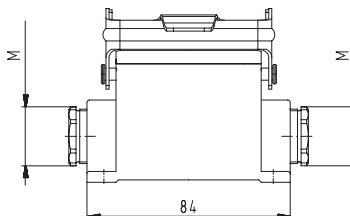
DIMENSIONS

Bases

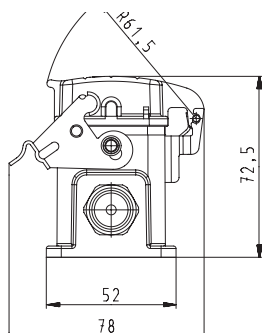
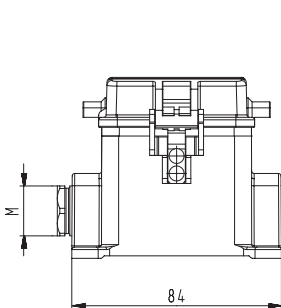
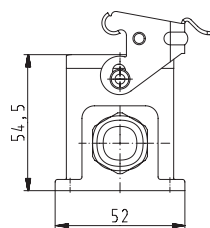
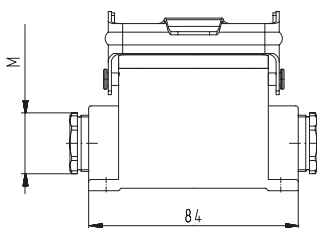
open



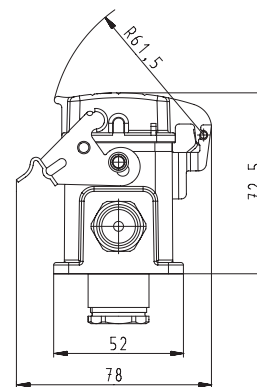
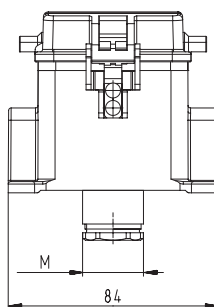
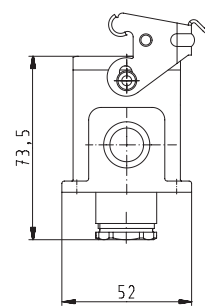
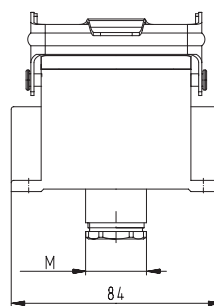
closed, 2 cable entries, lateral cable entry



closed, 1 cable entry, lateral cable entry



closed, 1 cable entry, bottom



REVOS · HOODS

Size 10Ex, double locking lever



Lateral cable entry



Top cable entry

Multipole connectors for cable-to-cable couplings with Locking levers and gasket



Lateral cable entry



Top cable entry

Description	Type	M	Part No.	P.U.
Hoods, size 10Ex	Housing, die cast zinc alloy			
Lateral cable entry M20				
with threaded collar	EX GOT GA 10 M20 09IA Z1	20	70.350.1036.1	1
with strain relief, IP54 → Ø ← 9 – 13.5 mm	EX GOT GA 10 M20 09IA Z3	20	70.350.1036.3	1
Lateral cable entry M25				
with threaded collar	EX GOT GA 10 M25 09IA Z1	25	70.353.1036.1	1
with strain relief, IP54 → Ø ← 14 – 20 mm	EX GOT GA 10 M25 09IA Z3	25	70.353.1036.3	1
Top cable entry M20				
with threaded collar	EX GOT GC 10 M20 09IA Z1	20	70.352.1036.1	1
with strain relief, IP54 → Ø ← 9 – 13.5 mm	EX GOT GC 10 M20 09IA Z3	20	70.352.1036.3	1
Top cable entry M25				
with threaded collar	EX GOT GC 10 M25 09IA Z1	25	70.354.1036.1	1
with strain relief, IP54 → Ø ← 14 – 20 mm	EX GOT GC 10 M25 09IA Z3	25	70.354.1036.3	1
90 V Hoods, size 10Ex				
with Locking levers without gasket				
Lateral cable entry M20				
with threaded collar, with Locking levers	EX GOT GD 10 M20 09IA Z1	20	70.355.1036.1	1
with strain relief, IP54 → Ø ← 9 – 13.5 mm, with Locking levers	EX GOT GD 10 M20 09IA Z3	20	70.355.1036.3	1
Lateral cable entry M25				
with strain relief, IP54 → Ø ← 14 – 20 mm, with Locking levers	EX GOT GD 10 M25 09IA Z3	25	70.358.1036.3	1
Top cable entry M20				
with strain relief, IP54 → Ø ← 9 – 13.5 mm, with Locking levers	EX GOT GC 10 M20 09IA Z3	20	70.357.1036.3	1
Top cable entry M25				
with threaded collar, with Locking levers	EX GOT GF 10 M25 09IA Z1	25	70.359.1036.1	1
with strain relief, IP54 → Ø ← 14 – 20 mm, with Locking levers	EX GOT GF 10 M25 09IA Z3	25	70.359.1036.3	1
Multipole connectors for cable-to-cable couplings with Locking levers and gasket				
Lateral cable entry M20				
with strain relief, IP54 → Ø ← 9 – 13.5 mm	EX GOT GS 10 M20 09IA Z4	20	99.733.3329.7	8
Lateral cable entry M25				
with strain relief, IP54 → Ø ← 14 – 20 mm	EX GOT GS 10 M25 09IA Z4	25	99.734.3329.7	1
Top cable entry M20				
with strain relief, IP54 → Ø ← 9 – 13.5 mm	EX GOT GP 10 M20 09IA Z4	20	99.743.3329.7	8
Top cable entry M25				
with strain relief, IP54 → Ø ← 14 – 20 mm	EX GOT GP 10 M25 09IA Z4	25	99.744.3329.7	8

TECHNICAL DATA

Material	Die cast zinc alloy
Surface	powder coated, light blue
Locking levers	zinc-plated steel
Gasket	NBR
Degree of protection	
with latched locking levers	IP54
with appropriate cable glands	IP65
Temperature range	-20 °C...+60 °C

Contact inserts see the product matrix

Page 26–27

Special conditions for safe use:

1. The heavy duty connectors must be attached to a device in such a way that a minimum protection rating of IP54 is maintained in accordance with EN 60529.
2. The plug connectors can be used in an ambient temperature ranges of -20 °C to +60 °C.

See section "FACTS&DATA" for handling and assembly of the multipole connectors.

 I M1 Ex ia I

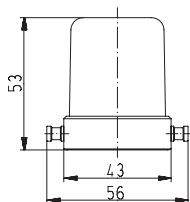
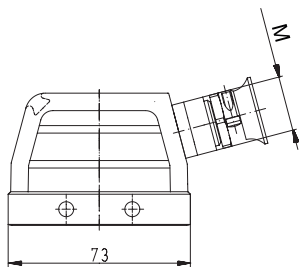
EN 60079-0:2006 EN 60079-11:2007 EN 50303:2000

For assembly instructions, see page 320 and 325.

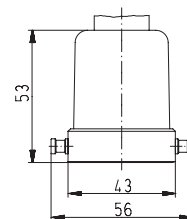
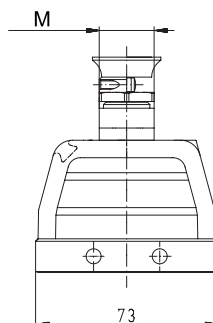
DIMENSIONS

Hoods

Lateral cable entry

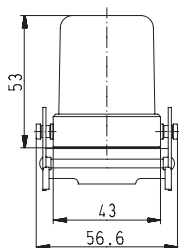
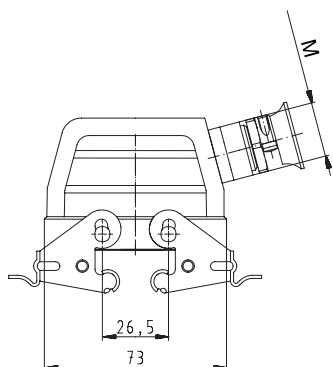


Top cable entry

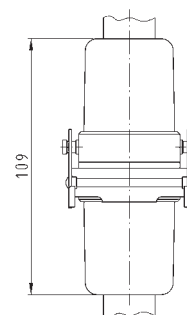
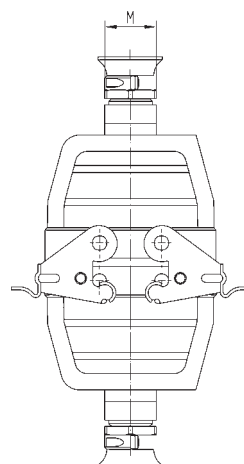
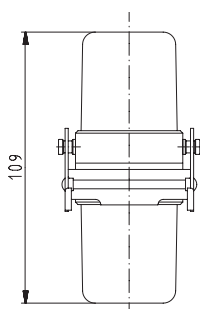
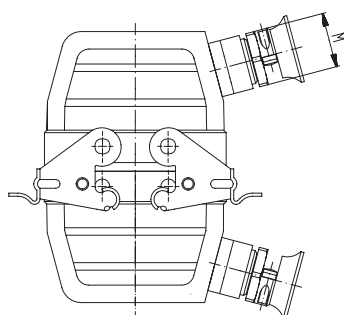
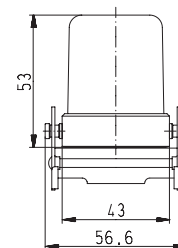
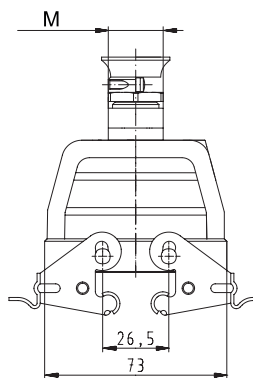


Multipole connectors for cable-to-cable couplings with Locking levers and gasket

Lateral cable entry



Top cable entry



REVOS BASES

Size 10Ex, double locking lever



open, with or without cover



closed, without cover
1 cable gland, lateral cable entry



closed, without cover
1 cable gland, bottom

Description	Type	M	Part No.	P.U.
Bases, size 10Ex	Housing, die cast zinc alloy			
Open-bottom base				
without cover	EX GUT GA 10 09IA Z		70.320.1028.9	1
with cover, without Locking levers	EX GUT GE 10 09IA Z		70.325.1028.9	1
cover with gasket	EX GUT GX 10 09IA Z		99.706.3329.7	10
Closed-bottom base				
2 cable entries, 2 x M20				
without cover				
with cable gland, IP54, $\rightarrow \varnothing \leftarrow 3 - 14.5 \text{ mm}$	EX GUT GB 10 M20 09IA Z0 20		70.330.1036.0	1
with cover, without Locking levers				
with cable gland, IP54, $\rightarrow \varnothing \leftarrow 3 - 14.5 \text{ mm}$	EX GUT GF 10 M20 09IA Z0 20		70.340.1036.0	1
2 cable entries, 2 x M25				
without cover				
with cable gland, IP54, $\rightarrow \varnothing \leftarrow 8.5 - 17.5 \text{ mm}$	EX GUT GB 10 M25 09IA Z0 25		70.334.1036.0	1
with cover				
with cable gland, IP54, $\rightarrow \varnothing \leftarrow 8.5 - 17.5 \text{ mm}$	EX GUT GF 10 M25 09IA Z0 25		70.344.1036.0	1
1 cable entry, left, 1 x M20				
without cover				
with cable gland, IP54, $\rightarrow \varnothing \leftarrow 3 - 14.5 \text{ mm}$	EX GUT GC 10 M20 09IA Z0 20		70.331.1036.0	1
with cover, without Locking levers				
with cable gland, IP54, $\rightarrow \varnothing \leftarrow 3 - 14.5 \text{ mm}$	EX GUT GG 10 M20 09IA Z0 20		70.341.1036.0	1
1 cable entry, left, 1 x M25				
without cover				
with cable gland, IP54, $\rightarrow \varnothing \leftarrow 8.5 - 17.5 \text{ mm}$	EX GUT GC 10 M25 09IA Z0 25		70.335.1036.0	1
with cover, without Locking levers				
with cable gland, IP54, $\rightarrow \varnothing \leftarrow 8.5 - 17.5 \text{ mm}$	EX GUT GG 10 M25 09IA Z0 25		70.345.1036.0	1
1 cable entry, bottom, 1 x M20				
without cover				
with cable gland, IP54, $\rightarrow \varnothing \leftarrow 3 - 14.5 \text{ mm}$	EX GUT GD 10 M20 09IA Z0 20		70.333.1036.0	1
1 cable entry, bottom, 1 x M25				
without cover				
with cable gland, IP54, $\rightarrow \varnothing \leftarrow 8.5 - 17.5 \text{ mm}$	EX GUT GD 10 M25 09IA Z0 25		70.337.1036.0	1
with cover, without Locking levers				
with cable gland, IP54, $\rightarrow \varnothing \leftarrow 8.5 - 17.5 \text{ mm}$	EX GUT GI 10 M25 09IA Z0 25		70.347.1036.0	1
TECHNICAL DATA				
Material metal/plastic	Die cast zinc alloy/Cover Polyamide			
Surface	powder coated, light blue			
Locking levers	zinc-plated steel			
Gasket	NBR			
Degree of protection				
with latched locking levers	IP54			
with appropriate cable glands	IP65			
Temperature range	-20 °C...+60 °C			
Contact inserts see the product matrix			Page 26–27	

Special conditions for safe use:

1. The heavy duty connectors must be attached to a device in such a way that a minimum protection rating of IP54 is maintained in accordance with EN 60529.
2. The plug connectors can be used in an ambient temperature ranges of -20 °C to +60 °C.

See section "FACTS&DATA" for handling and assembly of the multipole connectors.

 I M1 Ex ia I

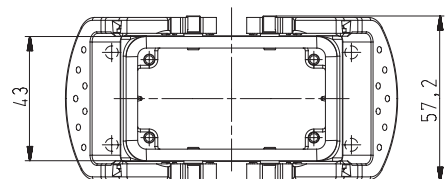
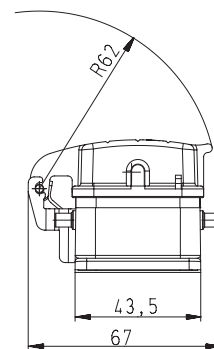
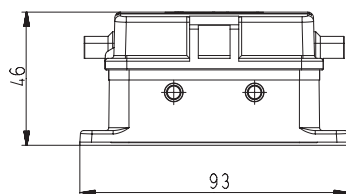
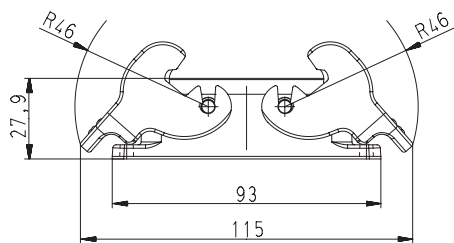
EN 60079-0:2006 EN 60079-11:2007 EN 50303:2000

For assembly instructions, see page 320 and 325.

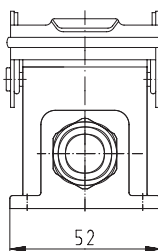
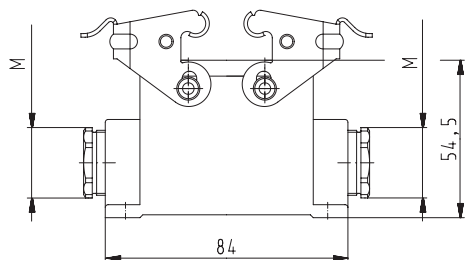
DIMENSIONS

Bases

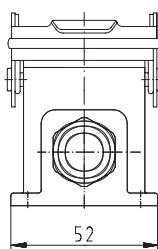
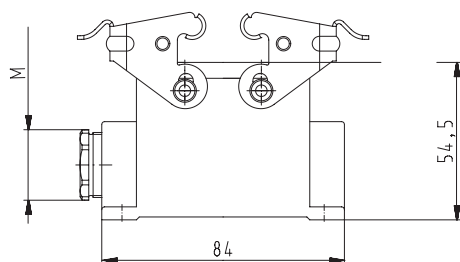
open



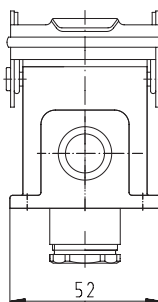
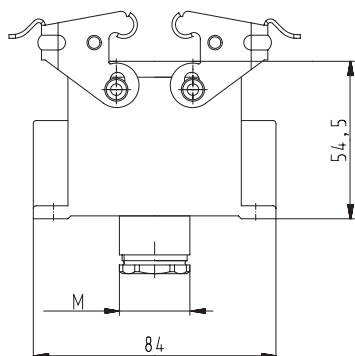
closed, 2 cable glands



closed, 1 cable gland, lateral cable entry



closed, 1 cable gland, bottom



REVOS · HOODS

Size 16Ex, double locking lever



Lateral cable entry



Top cable entry

Multipole connectors for cable-to-cable couplings with Locking levers and gasket



Lateral cable entry



Top cable entry

Description	Type	M	Part No.	P.U.
Hoods, size 16Ex	Housing, die cast zinc alloy			
Lateral cable entry M25 with threaded collar	EX GOT GA 16 M25 09IA Z1	25	70.350.1636.1	1
with strain relief, IP54 → Ø ← 14 – 20 mm	EX GOT GA 16 M25 09IA Z3	25	70.350.1636.3	1
Lateral cable entry M32 with threaded collar	EX GOT GA 16 M32 09IA Z1	32	70.353.1636.1	1
with strain relief, IP54 → Ø ← 21 – 28.5 mm	EX GOT GA 16 M32 09IA Z3	32	70.353.1636.3	1
Top cable entry M25 with threaded collar	EX GOT GC 16 M25 09IA Z1	25	70.352.1636.1	1
with strain relief, IP54 → Ø ← 14 – 20 mm	EX GOT GC 16 M25 09IA Z3	25	70.352.1636.3	1
Top cable entry M32 with threaded collar	EX GOT GC 16 M25 09IA Z1	32	70.354.1636.1	1
with strain relief, IP54 → Ø ← 21 – 28.5 mm	EX GOT GC 16 M25 09IA Z3	32	70.354.1636.3	1
90 V Hoods, size 16Ex with Locking levers without gasket				
Lateral cable entry M25 with threaded collar, with Locking levers	EX GOT GD 16 M25 09IA Z1	25	70.355.1636.1	1
with strain relief, IP54 → Ø ← 14 – 20 mm, with Locking levers	EX GOT GD 16 M25 09IA Z3	25	70.355.1636.3	1
Lateral cable entry M32 with threaded collar, with Locking levers	EX GOT GD 16 M32 09IA Z1	32	70.358.1636.1	1
with strain relief, IP54 → Ø ← 21 – 28.5 mm, with Locking levers	EX GOT GD 16 M32 09IA Z3	32	70.358.1636.3	1
Top cable entry M25 with strain relief, IP54 → Ø ← 14 – 20 mm, with Locking levers	EX GOT GC 16 M25 09IA Z3	25	70.357.1636.3	1
Top cable entry M32 with threaded collar, with Locking levers	EX GOT GF 16 M25 09IA Z1	32	70.359.1636.1	1
with strain relief, IP54 → Ø ← 21 – 28.5 mm, with Locking levers	EX GOT GF 16 M25 09IA Z3	32	70.359.1636.3	1
Multipole connectors for cable-to-cable couplings with Locking levers and gasket				
Lateral cable entry M25 with strain relief, IP54 → Ø ← 14 – 20 mm	EX GOT GS 16 M25 09IA Z4	25	99.735.3329.7	1
Lateral cable entry M32 with strain relief, IP54 → Ø ← 21 – 28.5 mm	EX GOT GS 16 M32 09IA Z4	32	99.736.3329.7	1
Top cable entry M25 with strain relief, IP54 → Ø ← 14 – 20 mm	EX GOT GR 16 M25 09IA Z4	25	99.745.3329.7	1
Top cable entry M32 with strain relief, IP54 → Ø ← 21 – 28.5 mm	EX GOT GR 16 M32 09IA Z4	32	99.746.3329.7	1
TECHNICAL DATA				
Material metal/plastic	Die cast zinc alloy/Cover Polyamide			
Surface	powder coated, light blue			
Locking levers	zinc-plated steel			
Gasket	NBR			
Degree of protection				
with latched locking levers	IP54			
with appropriate cable glands	IP65			
Temperature range	-20 °C...+60 °C			
Contact inserts see the product matrix	Page 26–27			

Special conditions for safe use:

1. The heavy duty connectors must be attached to a device in such a way that a minimum protection rating of IP54 is maintained in accordance with EN 60529.
2. The plug connectors can be used in an ambient temperature ranges of -20 °C to +60 °C.

See section "FACTS&DATA" for handling and assembly of the multipole connectors.

 I M1 Ex ia I

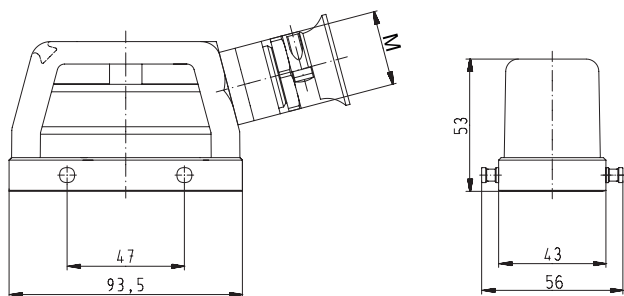
EN 60079-0:2006 EN 60079-11:2007 EN 50303:2000

For assembly instructions, see page 320 and 325.

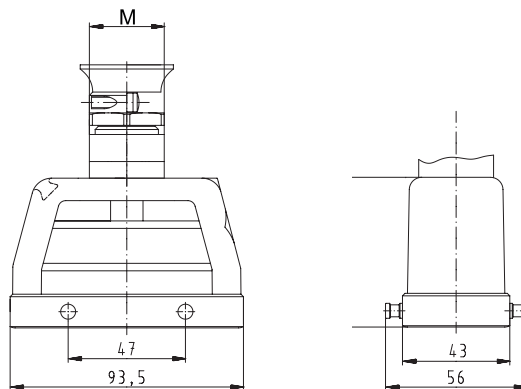
DIMENSIONS

Hoods

Lateral cable entry

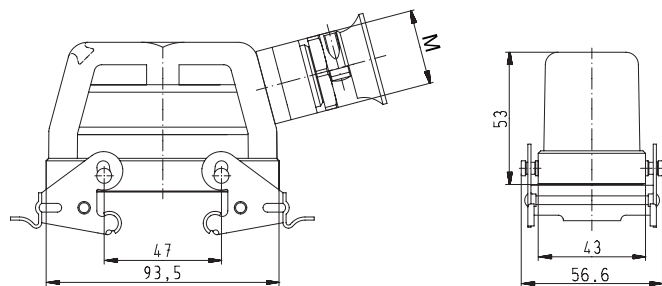


Top cable entry

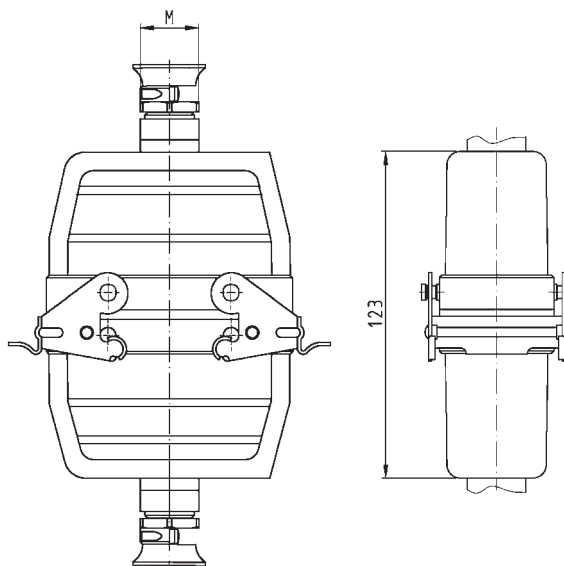
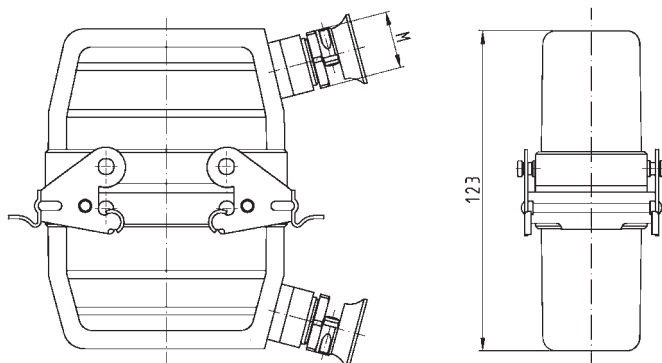
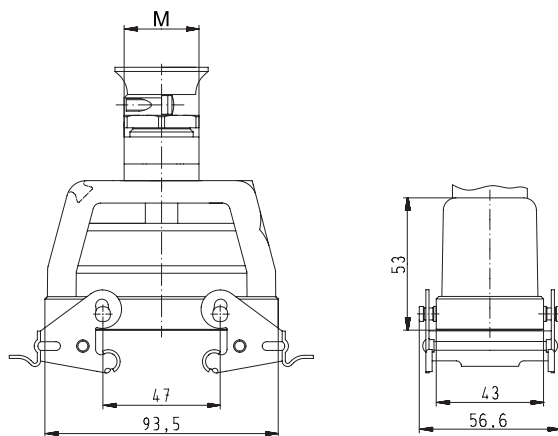


Multipole connectors for cable-to-cable couplings with Locking levers and gasket

Lateral cable entry



Top cable entry



REVOS · BASES

Size 16Ex, double locking lever



open, without cover

Description	Type	M	Part No.	P.U.
Bases, size 16Ex	Housing, die cast zinc alloy			
Open-bottom base				
without cover	EX GUT GA 16 09IA Z		70.320.1628.9	1
with cover, without Locking levers	EX GUT GE 16 09IA Z		70.325.1628.9	1
cover with gasket, without Locking levers	EX GUT GX 16 09IA Z		99.702.3329.7	10
TECHNICAL DATA				
Material metal/plastic	Die cast zinc alloy/Cover Polyamide			
Surface	powder coated, light blue			
Locking levers	zinc-plated steel			
Gasket	NBR			
Degree of protection				
with latched locking levers	IP54			
with appropriate cable glands	IP65			
Temperature range	-20 °C...+60 °C			
Contact inserts see the product matrix			Page 26–27	

Special conditions for safe use:

1. The heavy duty connectors must be attached to a device in such a way that a minimum protection rating of IP54 is maintained in accordance with EN 60529.
2. The plug connectors can be used in an ambient temperature ranges of -20 °C to +60 °C.

See section "FACTS&DATA" for handling and assembly of the multipole connectors.

 I M1 Ex ia I

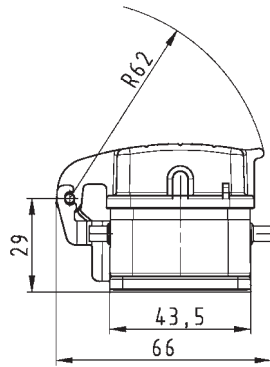
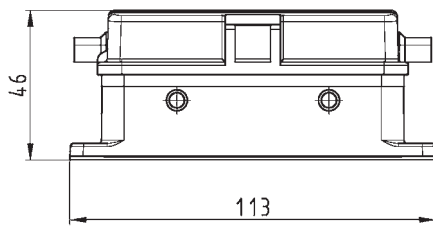
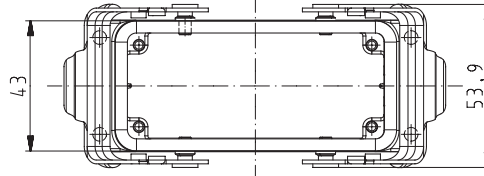
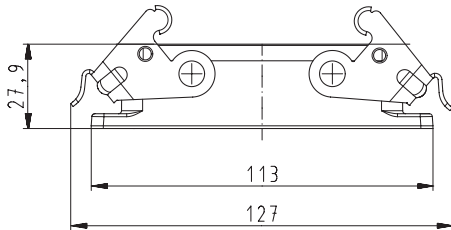
EN 60079-0:2006 EN 60079-11:2007 EN 50303:2000

For assembly instructions, see page 320 and 325.

DIMENSIONS

Bases

open



REVOS · HOODS

Size 24Ex, double locking lever



Lateral cable entry



Top cable entry

Multipole connectors for cable-to-cable couplings with Locking levers and gasket



Lateral cable entry



Top cable entry

Description	Type	M	Part No.	P.U.
Hoods, size 24Ex	Housing, die cast zinc alloy			
Lateral cable entry M25				
with threaded collar	EX GOT GA 24 M25 09IA Z1	25	70.350.2436.1	1
with strain relief, IP54	EX GOT GA 24 M25 09IA Z3	25	70.350.2436.3	1
→IØ← 14 – 20 mm				
Lateral cable entry M32				
with threaded collar	EX GOT GA 24 M32 09IA Z1	32	70.353.2436.1	1
with strain relief, IP54	EX GOT GA 24 M32 09IA Z3	32	70.353.2436.3	1
→IØ← 21 – 28.5 mm				
Top cable entry M25				
with threaded collar	EX GOT GC 24 M25 09IA Z1	25	70.352.2436.1	1
with strain relief, IP54	EX GOT GC 24 M25 09IA Z3	25	70.352.2436.3	1
→IØ← 14 – 20 mm				
Top cable entry M32				
with threaded collar	EX GOT GC 24 M32 09IA Z1	32	70.354.2436.1	1
with strain relief, IP54	EX GOT GC 24 M32 09IA Z3	32	70.354.2436.3	1
→IØ← 21 – 28.5 mm				
90 V Hoods, size 24Ex				
with Locking levers without gasket				
Lateral cable entry M25				
with threaded collar, with Locking levers	EX GOT GD 24 M25 09IA Z1	25	70.355.2436.1	1
with strain relief, IP54	EX GOT GD 24 M25 09IA Z3	25	70.355.2436.3	1
→IØ← 14 – 20 mm, with Locking levers				
Lateral cable entry M32				
with threaded collar, with Locking levers	EX GOT GD 24 M32 09IA Z1	32	70.358.2436.1	1
with strain relief, IP54	EX GOT GD 24 M32 09IA Z3	32	70.358.2436.3	1
→IØ← 21 – 28.5 mm, with Locking levers				
Top cable entry M25				
with threaded collar, with Locking levers	EX GOT GF 24 M25 09IA Z1	25	70.357.2436.1	1
with strain relief, IP54	EX GOT GC 24 M25 09IA Z3	25	70.357.2436.3	1
→IØ← 14 – 20 mm, with Locking levers				
Top cable entry M32				
with threaded collar, with Locking levers	EX GOT GF 24 M32 09IA Z1	32	70.359.2436.1	1
with strain relief, IP54	EX GOT GF 24 M32 09IA Z3	32	70.359.2436.3	1
→IØ← 21 – 28.5 mm, with Locking levers				
Multipole connectors for cable-to-cable couplings with Locking levers and gasket				
Lateral cable entry M25				
with strain relief, IP54	EX GOT GS 24 M25 09IA Z4	25	99.737.3329.7	5
→IØ← 14 – 20 mm				
Lateral cable entry M32				
with strain relief, IP54	EX GOT GS 24 M32 09IA Z4	32	99.738.3329.7	5
→IØ← 21 – 28.5 mm				
Top cable entry M25				
with strain relief, IP54	EX GOT GR 24 M25 09IA Z4	25	99.747.3329.7	4
→IØ← 14 – 20 mm				
Top cable entry M32				
with strain relief, IP54	EX GOT GR 24 M32 09IA Z4	32	99.748.3329.7	4
→IØ← 21 – 28.5 mm				

TECHNICAL DATA

Material metal/plastic	Die cast zinc alloy/Cover Polyamide
Surface	powder coated, light blue
Locking levers	zinc-plated steel
Gasket	NBR
Degree of protection	
with latched locking levers	IP54
with appropriate cable glands	IP65
Temperature range	-20 °C...+60 °C

Contact inserts see the product matrix

Page 26–27

Special conditions for safe use:

1. The heavy duty connectors must be attached to a device in such a way that a minimum protection rating of IP54 is maintained in accordance with EN 60529.
2. The plug connectors can be used in an ambient temperature ranges of -20 °C to +60 °C.

See section "FACTS&DATA" for handling and assembly of the multipole connectors.

 I M1 Ex ia I

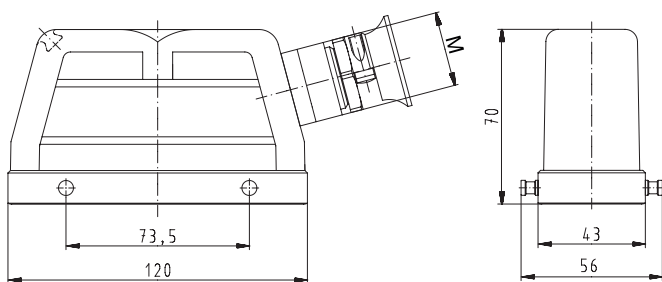
EN 60079-0:2006 EN 60079-11:2007 EN 50303:2000

For assembly instructions, see page 320 and 325.

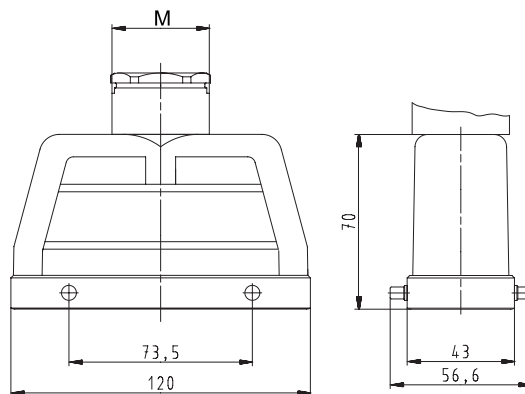
DIMENSIONS

Hoods

Lateral cable entry

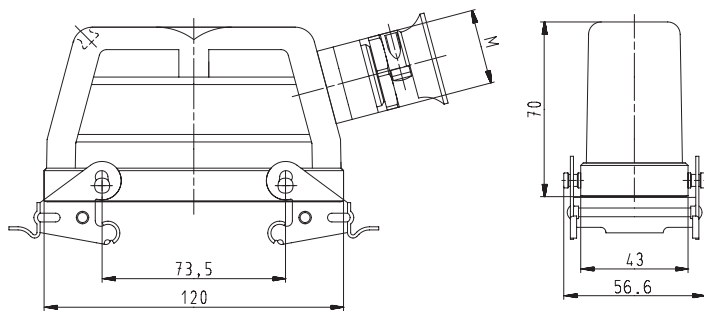


Top cable entry

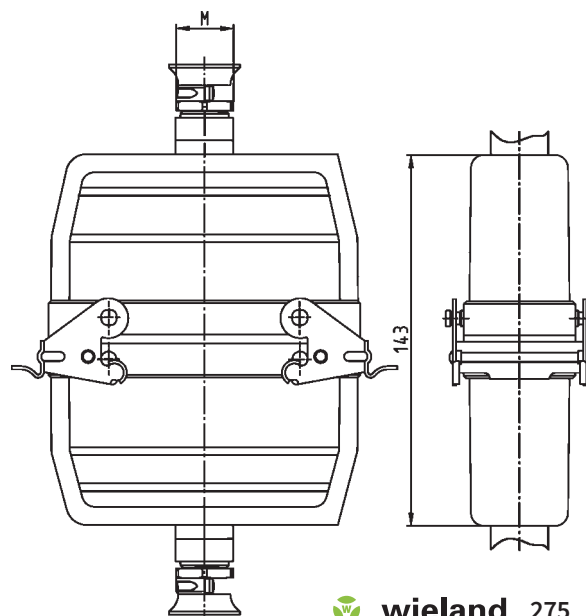
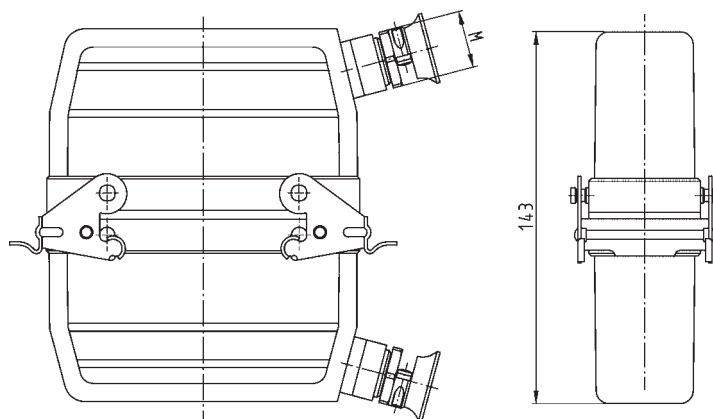
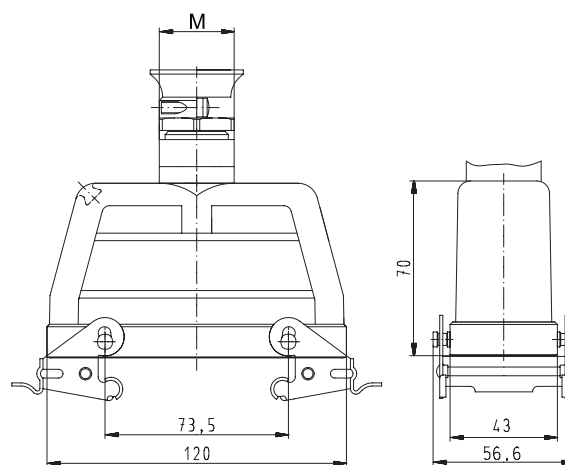


Multipole connectors for cable-to-cable couplings with Locking levers and gasket

Lateral cable entry



Top cable entry



REVOS · BASES

Size 24Ex, double locking lever



open, without cover



closed, without cover
1 cable gland



closed, without cover
1 cable gland, bottom

Description	Type	M	Part No.	P.U.
Bases, size 24Ex	Housing, die cast zinc alloy			
Open-bottom base				
without cover	EX GUT GA 24 09IA Z		70.320.2428.9	1
with cover, without Locking levers	EX GUT GE 24 09IA Z		70.325.2428.9	1
cover with gasket, without Locking levers	EX GUT GX 24 09IA Z		99.704.3329.7	10
Closed-bottom base				
2 cable entries, 2 x M25				
without cover				
with cable gland, IP54, $\Rightarrow \varnothing \leftarrow 8.5 - 17.5 \text{ mm}$	EX GUT GB 24 M25 09IA Z0 25		70.330.2436.0	1
with cover, without Locking levers				
with cable gland, IP54, $\Rightarrow \varnothing \leftarrow 8.5 - 17.5 \text{ mm}$	EX GUT GF 24 M25 09IA Z0 25		70.340.2436.0	1
1 cable entry, left, 1 x M25				
without cover				
with cable gland, IP54, $\Rightarrow \varnothing \leftarrow 8.5 - 17.5 \text{ mm}$	EX GUT GC 24 M25 09IA Z0 25		70.331.2436.0	1
with cover, without Locking levers				
with cable gland, IP54, $\Rightarrow \varnothing \leftarrow 8.5 - 17.5 \text{ mm}$	EX GUT GG 24 M25 09IA Z0 25		70.341.2436.0	1
1 cable entry, bottom, 1 x M25				
without cover				
with cable gland, IP54, $\Rightarrow \varnothing \leftarrow 8.5 - 17.5 \text{ mm}$	EX GUT GD 24 M25 09IA Z0 25		70.333.2436.0	1
with cover, without Locking levers				
with cable gland, IP54, $\Rightarrow \varnothing \leftarrow 8.5 - 17.5 \text{ mm}$	EX GUT GI 24 M25 09IA Z0 25		70.343.2436.0	1

TECHNICAL DATA

Material metal/plastic	Die cast zinc alloy/Cover Polyamide
Surface	powder coated, light blue
Locking levers	zinc-plated steel
Gasket	NBR
Degree of protection	
with latched locking levers	IP54
with appropriate cable glands	IP65
Temperature range	-20 °C...+60 °C

Contact inserts see the product matrix

Page 26–27

Special conditions for safe use:

1. The heavy duty connectors must be attached to a device in such a way that a minimum protection rating of IP54 is maintained in accordance with EN 60529.
2. The plug connectors can be used in an ambient temperature ranges of -20 °C to +60 °C.

See section "FACTS&DATA" for handling and assembly of the multipole connectors.

 I M1 Ex ia I

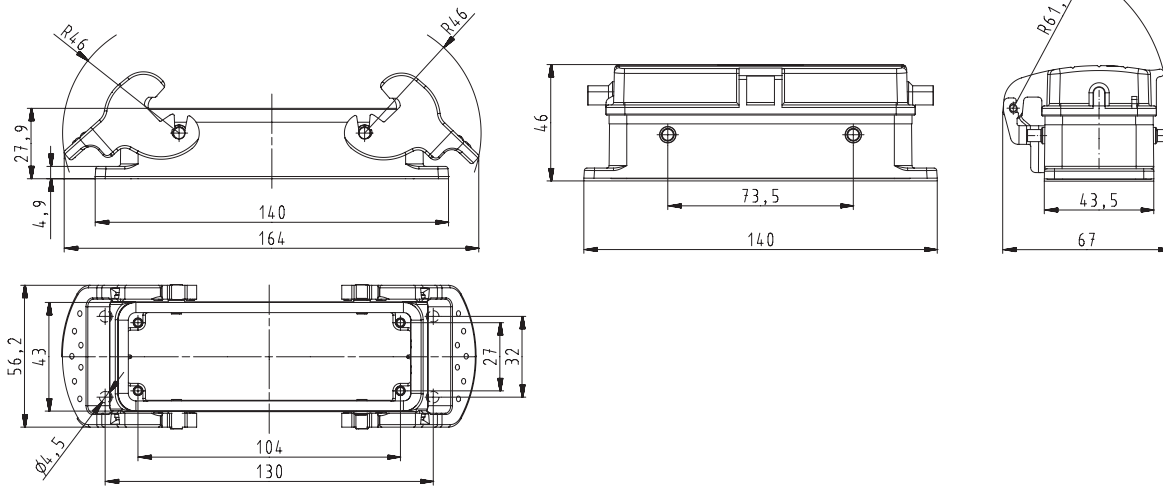
EN 60079-0:2006 EN 60079-11:2007 EN 50303:2000

For assembly instructions, see page 320 and 325.

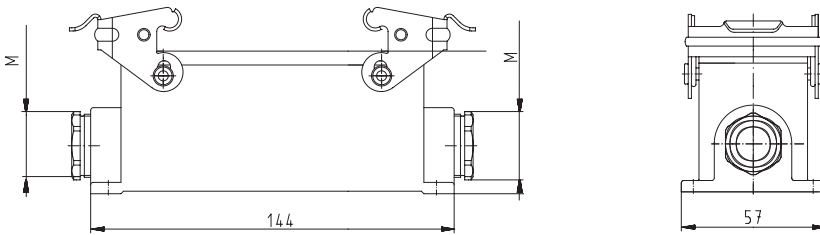
DIMENSIONS

Bases

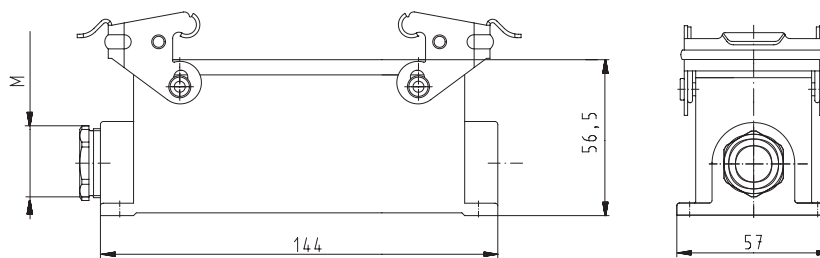
open



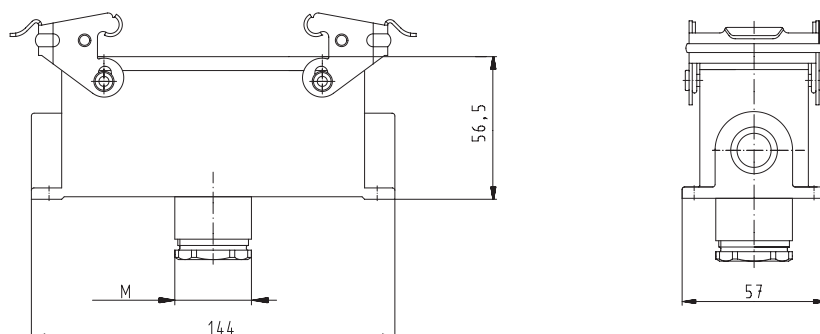
closed, 2 cable glands



closed, 1 cable gland



closed, 1 cable gland, bottom



Subject to technical modifications



REVOS · HOODS

Size 48Ex, single locking lever



Lateral cable entry



Top cable entry

Description	Type	M	Part No.	P.U.
Hoods, size 48Ex	Housing, die cast zinc alloy			
Lateral cable entry M32				
with threaded collar	EX GOT GG 48 M32 09IA Z1	32	70.350.4836.1	1
with strain relief, IP54 →IØI← 21 – 28.5 mm	EX GOT GG 48 M32 09IA Z3	32	70.350.4836.3	1
Lateral cable entry M40				
with threaded collar	EX GOT GG 48 M40 09IA Z1	40	70.353.4836.1	1
Top cable entry M32				
with strain relief, IP54 →IØI← 21 – 28.5 mm	EX GOT GI 48 M32 09IA Z3	32	70.352.4836.3	1
Top cable entry M40				
with threaded collar	EX GOT GI 48 M40 09IA Z1	40	70.354.4836.1	1
TECHNICAL DATA				
Material metal/plastic	Die cast zinc alloy/Cover Polyamide			
Surface	powder coated, light blue			
Locking levers	-			
Gasket	-			
Degree of protection				
with latched locking levers	IP54			
with appropriate cable glands	IP65			
Temperature range	-20 °C...+60 °C			
Contact inserts see the product matrix	Page 26–27			

Special conditions for safe use:

1. The heavy duty connectors must be attached to a device in such a way that a minimum protection rating of IP54 is maintained in accordance with EN 60529.
2. The plug connectors can be used in an ambient temperature ranges of -20 °C to +60 °C.

See section "FACTS&DATA" for handling and assembly of the multipole connectors.

 I M1 Ex ia I

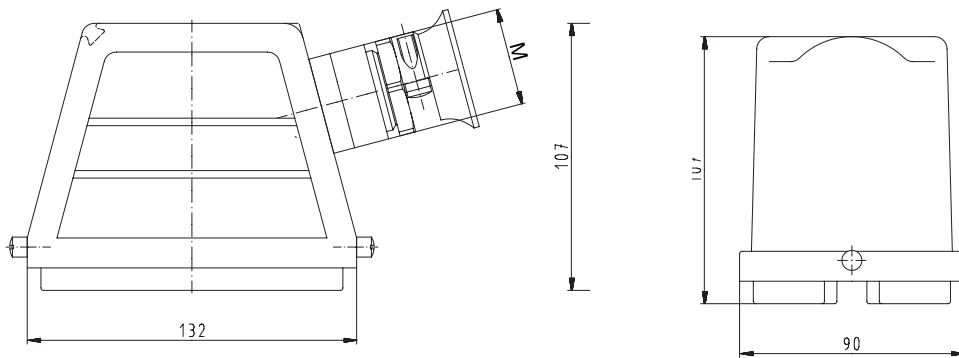
EN 60079-0:2006 EN 60079-11:2007 EN 50303:2000

For assembly instructions, see page 320 and 325.

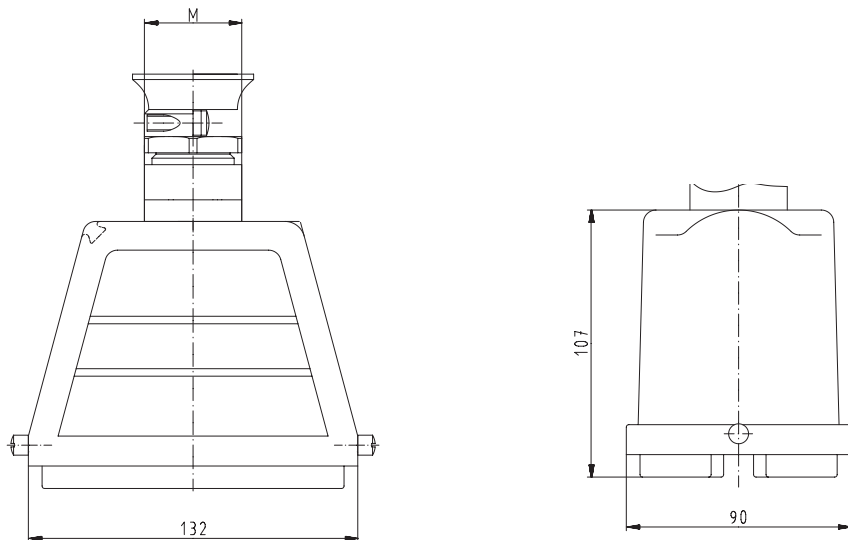
DIMENSIONS

Hoods

Lateral cable entry



Top cable entry



REVOS · BASES

Size 48Ex, single locking lever



open, with or without cover



closed, with or without cover

Description	Type	M	Part No.	P.U.
Bases, size 48Ex	Housing, die cast zinc alloy			
Open-bottom base				
without cover	EX GUT GK 48 09IA Z		70.320.4828.9	1
with metal cover	EX GUT GP 48 09IA Z		70.325.4828.9	1
Closed-bottom base				
1 cable entry, left, 1 x M32				
without cover				
with strain relief, IP54 → Ø ← 21 – 28.5 mm	BAS GUT GM 48 M32 09IA Z3 32		70.331.4836.3	1
with metal cover				
with strain relief, IP54 → Ø ← 21 – 28.5 mm	BAS GUT GS 48 M32 09IA Z3 32		70.341.4836.3	1
1 cable entry, left, 1 x M40				
with metal cover				
with cable gland, IP54, → Ø ← 27 – 37 mm	BAS GUT GR 48 M40 09IA Z3 40		70.344.4836.4	1
TECHNICAL DATA				
Material metal/plastic	Die cast zinc alloy/Cover Polyamide			
Surface	powder coated, light blue			
Locking levers	zinc-plated steel			
Gasket	NBR			
Degree of protection				
with latched locking levers	IP54			
with appropriate cable glands	IP65			
Temperature range	-20 °C...+60 °C			
Contact inserts see the product matrix	Page 26–27			

Special conditions for safe use:

1. The heavy duty connectors must be attached to a device in such a way that a minimum protection rating of IP54 is maintained in accordance with EN 60529.
2. The plug connectors can be used in an ambient temperature ranges of -20 °C to +60 °C.

See section “FACTS&DATA” for handling and assembly of the multipole connectors.

 IM1 Ex ia I

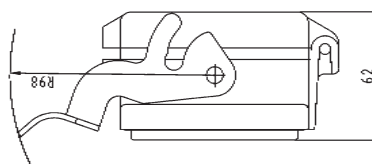
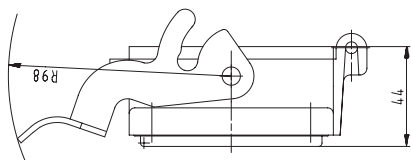
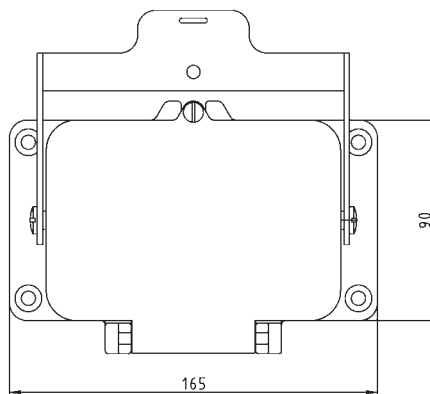
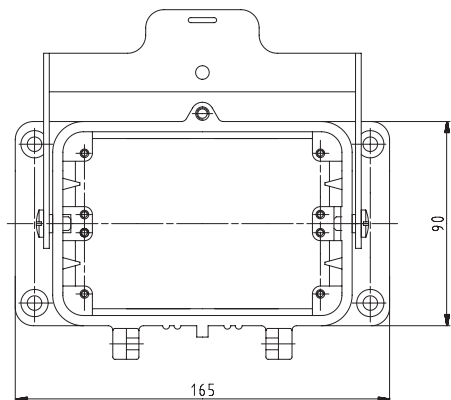
EN 60079-0:2006 EN 60079-11:2007 EN 50303:2000

For assembly instructions, see page 320 and 325.

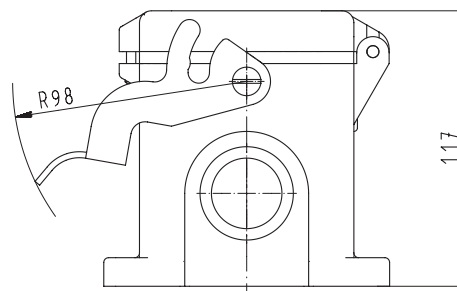
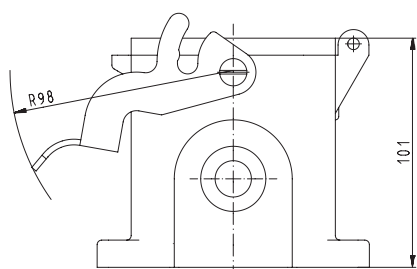
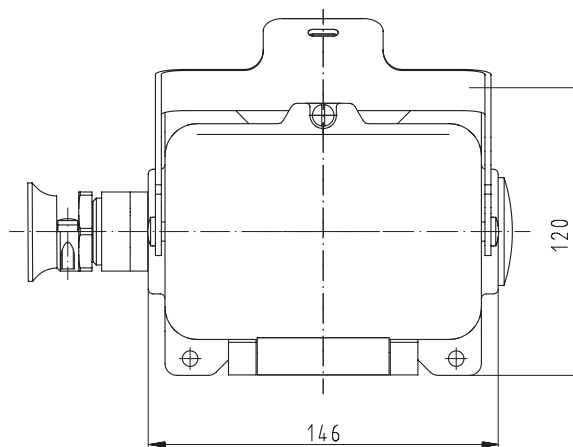
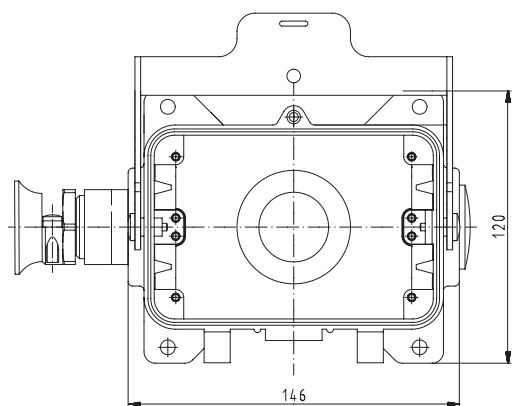
DIMENSIONS

Bases

open



closed



REVOS BASIC · MULTIPOLE CONNECTOR SETS WITH 4 COMPONENTS

Screw connection 500 V / 16 A



Heavy duty connector kits, complete, consisting of: male and female inserts, plugged together, loosely assembled into hoods and housings, and locked.



Screw connection



Screw connection

Housing	Number of poles	M	Part No.	P.U.	Female insert	Male insert
Size 6	6-pole + ground	20	99.700.0000.6	1	●	●
Size 10	10-pole + ground	20	99.701.0000.6	1	●	●
Size 16	16-pole + ground	25	99.702.0000.6	1	●	●
Size 24	24-pole + ground	25	99.703.0000.6	1	●	●
Size 6	6-pole + ground	25	99.706.0000.6	1	●	●
Size 10	10-pole + ground	25	99.707.0000.6	1	●	●
Size 16	16-pole + ground	32	99.708.0000.6	1	●	●
Size 24	24-pole + ground	32	99.709.0000.6	1	●	●
FOR TECHNICAL INFORMATION SEE THE INDIVIDUAL COMPONENTS					70.300.xx40.0	70.310.xx.40.0

● Part of the set belonging to the order no.

xx = 06 for 6-pole
10 for 10-pole
16 for 16-pole
24 for 24-pole



With metric cable entry
on the side



Open

Hood	Bottom base
●	●
●	●
●	●
●	●
●	●
●	●
●	●
●	●
●	●
70.35x.xx35.0	70.320.xx28.0



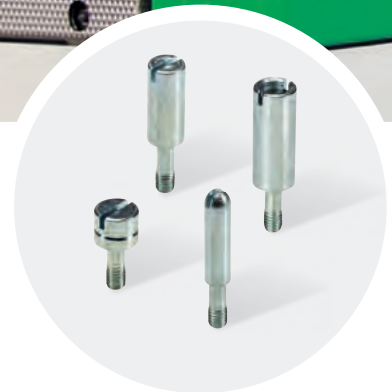
REVOS ACCESSORIES

We offer a wide range of accessories for our portfolio of heavy-duty plug connectors, such as mounting frames, cover plates, codings, fittings, covers for our housings, labeling accessories and the related tools.



MOUNTING FRAME/COVER PLATES

The mounting frames of the revosBASIC range are ideal for use in low-voltage switching systems. They are mounted directly on the top hat rail 35 x 15 to DIN EN 50022 in the control cabinet.



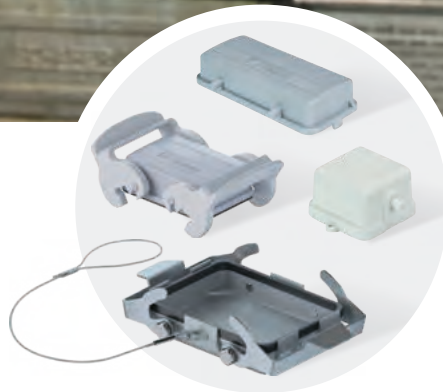
CODING OPTIONS

To prevent mismatching, locking pins, coding pins and coding bushings have been developed for mounting instead of with the usual fixing screws for the contact inserts.



CABLE GLANDS

Heavy-duty glands for securely routing and fastening the cable to the connector.



PROTECTIVE COVER

Protective cover with or without locking lever to protect the connector when it is not in use.



TOOLS

A broad range to ensure the simple and fast assembly of the connector using the correct tool.



ACCESSORIES · MOUNTING FRAMES FOR REVOS CONTACT INSERTS



The mounting frames of the revos basic family are ideal for use in low-voltage switching systems. They are mounted directly to the 35x15 DIN rail according to DIN EN 50022 inside the control cabinet. Use of the DIN rail mounting frame on a 7.5 mm high DIN-rail 35 x 7.5 in accordance with DIN EN 50022 is only possible if the installation space behind it is free.

THE SYSTEM HAS THE FOLLOWING ADVANTAGES:

- Reduction of material and mounting costs
- Simple and trouble-free installation
- Wire harness assemblies possible
- Easy troubleshooting with hinged top that enables access to the back of the connector.
- Re-wiring is possible without disconnecting.

The robust contact inserts of the revos family in use worldwide are used for this purpose.

The following contact inserts are available:

- revos BASIC
Size 6, 10, 16, 24
- revos POWER
Size 16, 24
- revos HD
40- and 64-pole
- revos FLEX
Size 6, 10, 16, 24
- revos BASIC EE
Size 6, 10, 16, 24
- revos DD
Size 6, 10, 16, 24

Mounting frames without contact inserts



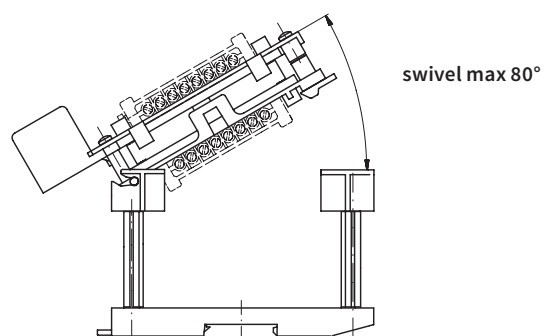
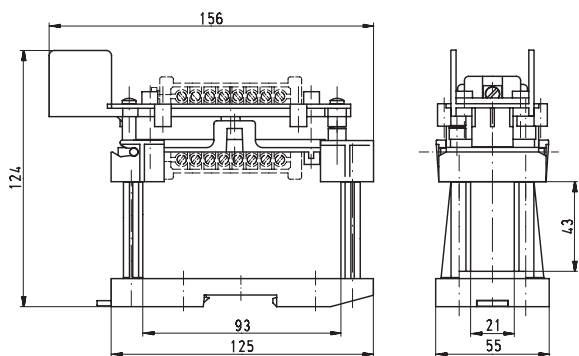
Size 6

Description	Type	Part No.	P.U.
Mounting frame			
Size 6		Z5.574.0653.0	1
Size 10		Z5.574.1053.0	1
Size 16		Z5.574.1653.0	1
Size 24		Z5.574.2453.0	1
Size 2 x 6		Z5.574.1253.0	1
TECHNICAL DATA			
Installation	on TS 35x15 mounting rail		
Description			
Mounting frame with base plate and installation bolts for open-bottom bases Size 6/10/16		Z5.574.0053.0	1
Mounting frame with base plate and installation bolts for open-bottom bases Size 24		Z5.574.0153.0	1

DIMENSIONS

Mounting frame

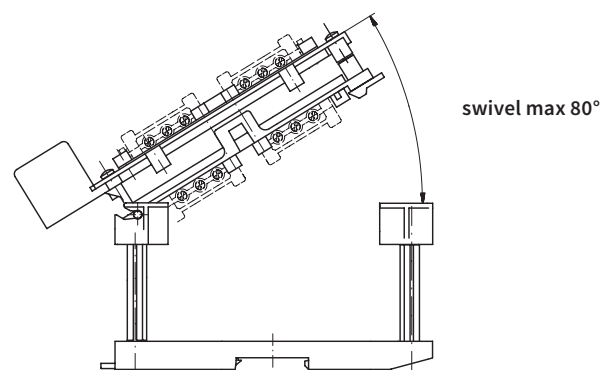
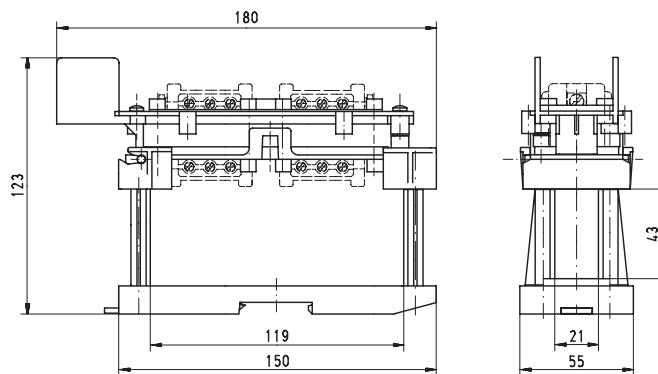
Size 6



Version for:

- Z5.574.0653.0
- Z5.574.1053.0
- Z5.574.1653.0

Size 2 x 6



Version for:

- Z5.574.2453.0
- Z5.574.1253.0



ACCESSORIES · REVOS COVER PLATES

Cover plates



Description	Type	Part No.	P.U.
Cover plates			
Size 6	Cover plate 6	07.416.6853.0	10
Size 10	Cover plate 10	07.416.6953.0	10
Size 16	Cover plate 16	07.416.7053.0	10
Size 24	Cover plate 24	07.416.7153.0	10

TECHNICAL DATA

Material	Polyamide
Color	RAL 7032
Degree of protection	IP65
Flammability	UL94-V0

revos cover plates are used to cover the cut-outs in partitions of control cabinets.

ACCESSORIES · REVOS REDUCER PLATE

Reducer plate



Description	Type	Part No.	P.U.
Reducer plate			
GB 24/GB 6	Reduction plate 24 to 6	07.416.6353.0	10
GB 24/GB 10	Reduction plate 24 to 10	07.416.6453.0	10
GB 24/GB 16	Reduction plate 24 to 16	07.416.6553.0	10

TECHNICAL DATA

Material	Polyamide
Color	RAL 7032
Degree of protection	IP65
Flammability	UL94-V0

revos reducer plate adapt the cut-outs of size 24 to sizes 6, 10 or 16.



ACCESSORIES · CODING OF REVOS MULTIPOLE CONNECTORS

Each family of contact inserts has its unique design. Mismatching of the different families' contact inserts is therefore impossible due to the design.

However, if several connectors of the same size and family are mounted directly adjacent to one another, mismatching may occur during start-up of the machine or system.

In order to avoid mismatching we developed coding bolts, coding pins and female coding pieces that are to be assembled instead of the regular mounting screws of the contact inserts.

Six different codings can be achieved when coding bolts are used.

CODING BOLTS OF VERSION A

Suitable for the following contact inserts/multipole adapters:

- revos BASIC
- revos POWER
- revos HD
- revos FLEX
- revos EX

that are mounted to the housing at the **front**.

Suitable for:

- Screw termination inserts with part numbers:
70.2XX.XXXX.X
70.3XX.XXXX.X
70.4XX.XXXX.X
72.2XX.XXXX.X
72.3XX.XXXX.X
- Crimp termination inserts with part numbers:
70.7XX.XXXX.X
72.7XX.XXXX.X
73.7XX.XXXX.X
- Spring clamp termination inserts with part numbers:
70.5XX.XXXX.X
- Terminal block adapter inserts (mountable from the front) with part numbers:
70.7XX.XXXX.X
72.7XX.XXXX.X
73.7XX.XXXX.X

Coding options also exist for combinations of screw and crimp inserts and terminal block adapters.

CODING BOLTS OF VERSION B

Suitable for the following contact inserts/multipole adapters:

- revos BASIC
- revos POWER
- revos HD

that are mounted to the housing at the **rear**.

These are mainly multipole adapters that are mounted from the inside of the control cabinet.

Suitable for:

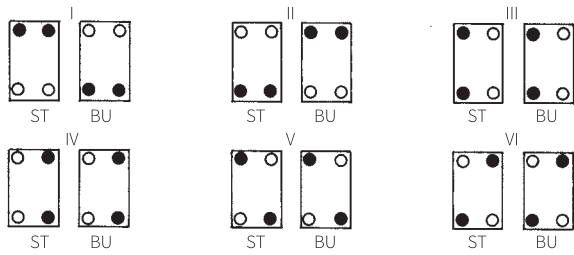
- Combination of screw, crimp, spring-type inserts and clamp adapters in connection with terminal block adapters (mountable from the back of the housing) with part numbers:
70.9XX.XXXX.X
72.9XX.XXXX.X
73.1XX.XXXX.X

ACCESSORIES · SIX CODING OPTIONS BY MEANS OF LOCKING PINS

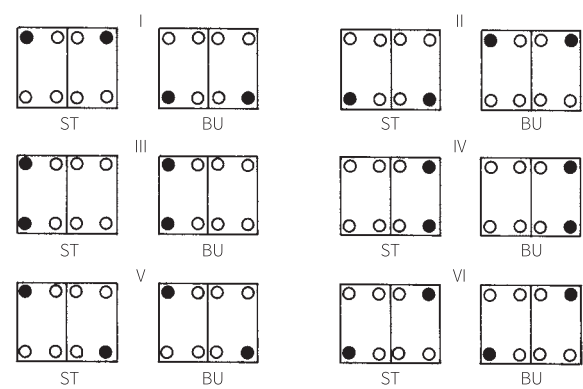
With the use of locking pins, there are a total of six combinations for 3-, 6-, 10-, 16-, 24-pin plug connectors.

An additional six combinations are possible for the heavy duty connectors with two contact inserts (32- and 48-pin plug connectors).

ONE CONTACT INSERT



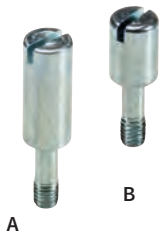
TWO CONTACT INSERTS



- Coding bolt
- Mounting screws

ST Male connector
BU Female connector

Coding bolt



Description	Part No.	P.U.
Coding bolt		
Version A	05.592.0621.0	100
Version B	05.513.4212.0	100
TECHNICAL DATA		
Material	zinc-plated steel	
Color	shiny metal	

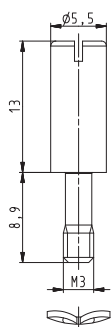
Screwdriver bit



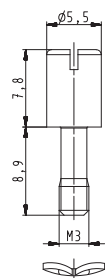
Description	Part No.	P.U.
Screwdriver bit for lock bolt, version A + B		
Yellow marking	06.502.5510.0	1
TECHNICAL DATA		
Material	Sleeve from 1.2210 115CrV3 (silver steel)	
Sleeve	Hardened	

DIMENSIONS

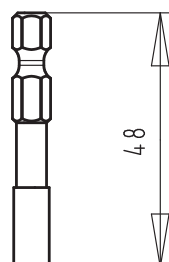
Version A



Version B



Screwdriver bit



ACCESSORIES · CODING OPTIONS FOR REVOS MULTIPOLE CONNECTORS

72 coding options by means of coding pin, coding key and coding socket

PART NO. FOR VERSION A

Suitable for the following contact inserts/
multipole adapters:

- revos BASIC, revos POWER, revos HD,
revos FLEX, revos EX

that are mounted to the housing at the **front**.

PART NO. FOR VERSION B

Suitable for the following contact inserts/
multipole adapters:

- revos BASIC, revos POWER, revos HD

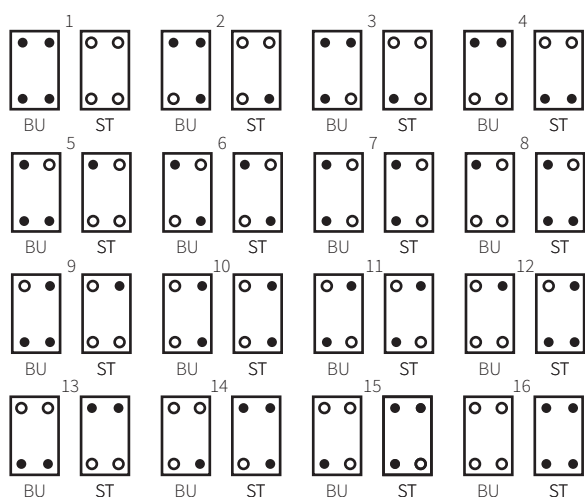
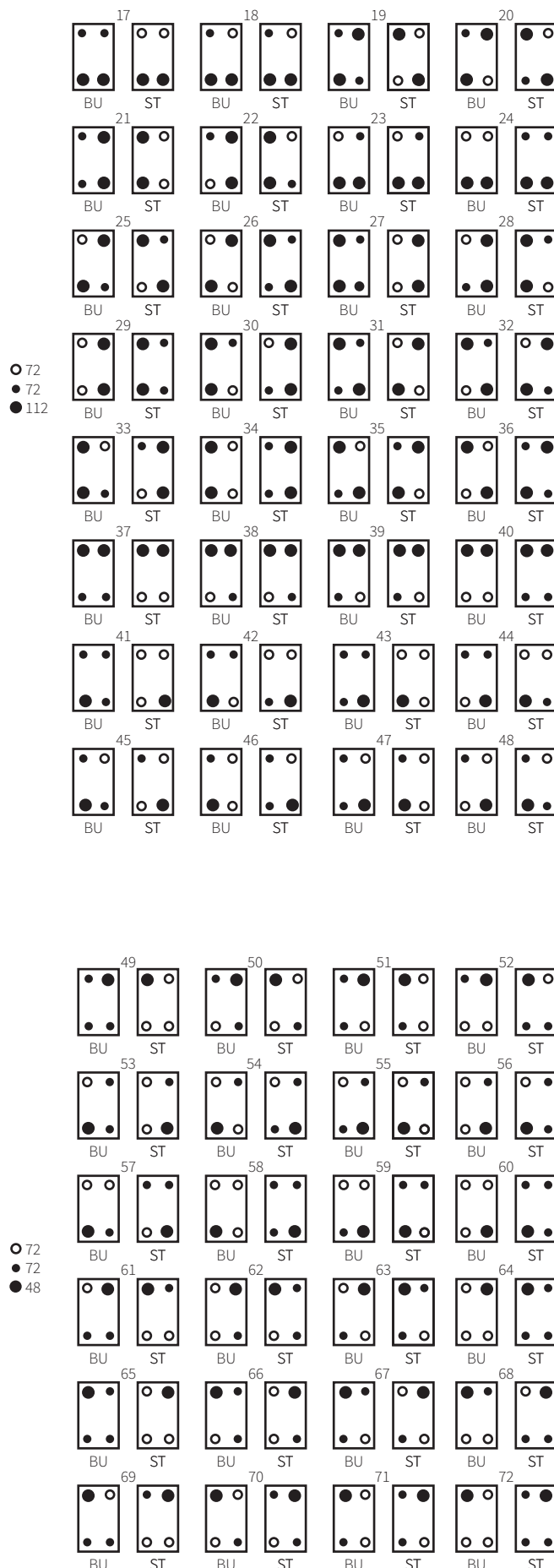
that are mounted to the housing at the **rear**.

The use of coding pins and female coding pieces enables 16 different coding options.

With an additional coding bolt up to 72 coding options are possible.

All mounting screws must be replaced by the coding components.

With 15- or 25-pin plug connectors of the series 73.7 ... 16 coding options result, because the coding pin cannot be used here.



Coding bolt
05.576.8512



Coding pin
05.576.8312



Female coding piece
05.576.8412

Coding bolt, Coding pin and Female coding piece



Description	Part No.	P.U.
Version A		
Coding bolt	05.576.6912.0	50
Coding pin	05.576.6612.0	50
Female coding piece	05.576.6712.0	50
Version B		
Coding bolt	05.576.8512.0	50
Coding pin	05.576.8312.0	50
Female coding piece	05.576.8412.0	50
TECHNICAL DATA		
Material	zinc-plated steel	
Color	shiny metal	

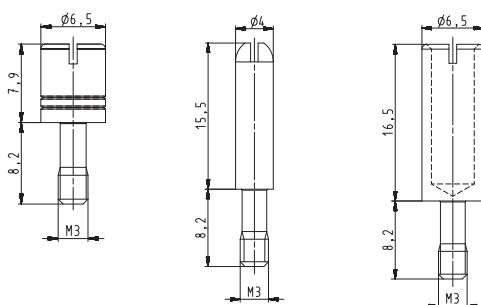
Screwdriver bit



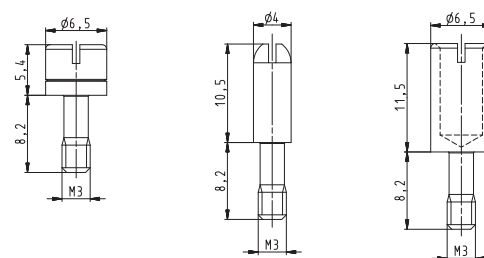
Description		Part No.	P.U.
Screwdriver bit (white marking)	for female coding piece and bolt, version A+B	06.502.5410.0	1
Screwdriver bit (yellow marking)	for coding pin, version A+B	06.502.5310.0	1
Screwdriver blade	for female coding piece, version A+B	05.567.5214.0	5
TECHNICAL DATA			
Material	Sleeve from 1.2210 115CrV3 (silver steel)		
Sleeve	Hardened		

Dimensions

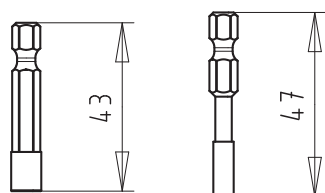
Version A



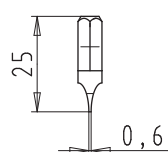
Version B



Screwdriver bit



Screwdriver blade



CODING PLAN:

Example:

1 pluggable 2 Coding between male and female connector matching 3 Coding between the coding bolts matching 4 Coding between the female connector and the coding bolt not matching



ACCESSORIES · 16 CODING OPTIONS FOR REVOS MINI 12-POLE

Coding piece



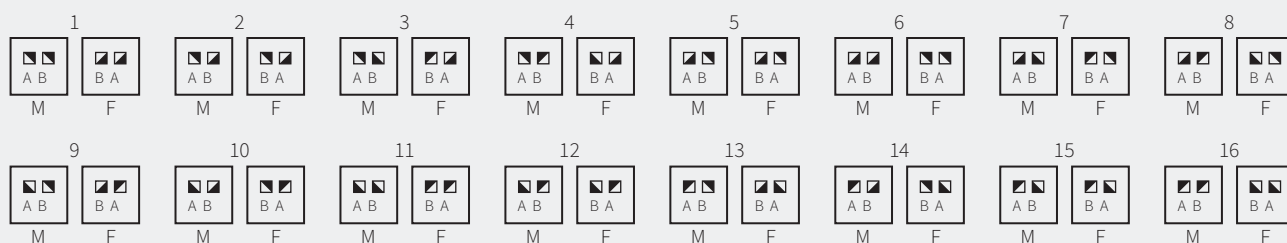
Description	Type	Part No.	P.U.
Coding piece	MIN KOD 12	05.568.0353.0	20

TECHNISCHE DATEN

Material	Poyamide
Make-up	4 coding pieces on the web

If the MIN KOD coding piece is used, there are 16 coding options for the revos MINI 12-pole.

CODING SCHEMATIC:



ACCESSORIES · REVOS DOCKING FRAME

Docking frame



Description	Type	Part No.	P.U.
revos docking frame			
Size 6	ADR 6	Z5.560.1019.0	1
Size 10	ADR 10	Z5.560.1119.0	1
Size 16	ADR 16	Z5.560.1219.0	1
Size 24	ADR 24	Z5.560.1319.0	1

Technical data

Material

Docking frame	Stainless steel
Fastening screws	Steel, galvanized

Floating tolerance

x-axis	±1.5 mm
y-axis	±1.5 mm

Mechanical life

Mating cycles	500
---------------	-----

Scope of supply

1 docking frame, including 4 fastening screws M3

System features

For use in combination with revos BASIC, POWER, FLEX and DD contact inserts

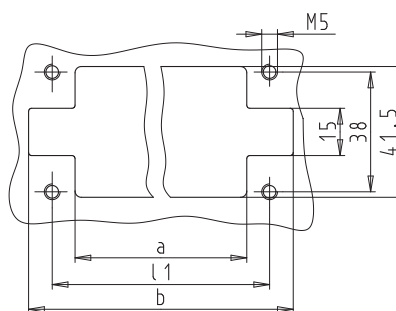
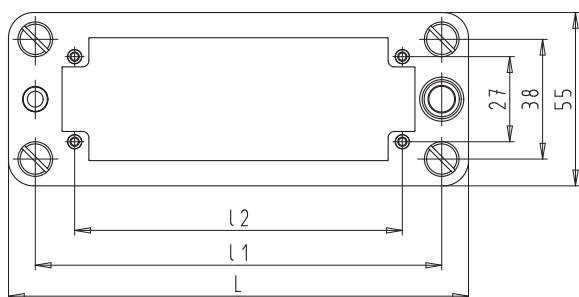
Symmetric design and hence "mutually-pluggable"

Installation type can alter the air gap and creepage distances, and therefore influence the rated voltage.

Mounting wall must be earthed due to the floating frame

DIMENSIONS

Dimensional drawing



Size	L [mm]	L1 [mm]	L2 [mm]	a [mm]	b [mm]
6	86	69	44	54.5	84
10	99	82	57	67.5	97
16	119.5	102.5	77.5	88	117.5
24	146	129	104	114.5	144



ACCESSORIES · METRIC CABLE GLANDS

Cable glands IP68, plastic



Description	Type	Part No.	P.U.		
Cable glands plastic					
	Cable Ø [mm]	SW [mm]	l [mm]		
M20x1.5	6 – 12	24	9	Z5.507.1353.0	10
M25x1.5	7 – 16	28	11	Z5.507.1553.0	10
M32x1.5	15 – 21	36	11	Z5.507.1753.0	10
M40x1.5	19 – 28	46	11	Z5.507.1953.0	1
TECHNICAL DATA					
Material	Polyamide				
Color	RAL 7035				
Degree of protection	IP68				
Flammability	UL94-V0				

Cable glands IP68, metal



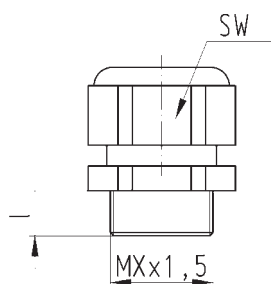
Description	Type	Part No.	P.U.		
Cable glands metal					
	Cable Ø [mm]	SW [mm]	l [mm]		
M20x1.5	8 – 13	22	6	Z5.507.1321.0	10
M25x1.5	11 – 17	27	8	Z5.507.1521.0	10
M32x1.5	15 – 21	34	8	Z5.507.1721.0	10
M40x1.5	19 – 27	44	8	Z5.507.1921.0	1
TECHNICAL DATA					
Material	nickel-plated brass				
Color	-				
Degree of protection	IP68				
Flammability	-				

Cable glands EMC IP68, metal



Description	Type	Part No.	P.U.		
Cable glands metal					
	Cable Ø [mm]	SW [mm]	l [mm]		
M20x1.5	7.5 – 14	22	6	Z5.503.7221.0	10
M25x1.5	10 – 18	30	7	Z5.503.7321.0	10
M32x1.5	16 – 25	34	8	Z5.503.7421.0	10
TECHNICAL DATA					
Material	nickel-plated brass				
Color	-				
Degree of protection	IP68				
Flammability	-				

DIMENSIONS



Strain relief, IP54



ACCESSORIES · BRASS CABLE GLANDS, NICKEL-PLATED, METRIC

Cable gland, IP54, with strain relief



Description	Type	Part No.	P.U.
Cable glands metal			
	Cable Ø [mm] L [mm] l [mm] SW [mm]		
M20x1.5	6,5 – 11,5 24 6 24	Z5.507.5821.0	1
M25x1.5	9 – 20 29 7 34	Z5.507.6021.0	10
M32x1.5	17 – 28 32 8 42	Z5.507.6221.0	1
M40x1.5	23 – 35 40 8 52	Z5.507.6421.0	1
TECHNICAL DATA			
Material	Brass, nickel-plated		
Color	-		
Degree of protection	IP54		
Flammability	-		

Bushing, IP54



Description	Type	Part No.	P.U.
Bushing metal			
	Cable Ø [mm] L [mm] l [mm] SW [mm]		
M16x1.5	3 – 9 15 5 16	Z5.507.2121.0	1
M20x1.5	4 – 13 17,5 6 20	Z5.507.2221.0	1
M25x1.5	8,5 – 17,5 20 7 25	Z5.507.2321.0	1
M32x1.5	16 – 25 23 8 32	Z5.507.2421.0	1
TECHNICAL DATA			
Material	Brass, nickel-plated		
Color	-		
Degree of protection	IP54		
Flammability	-		

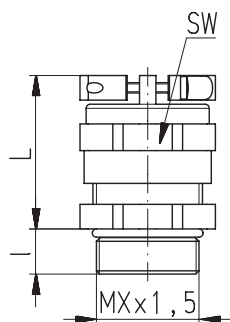
Strain relief, IP54



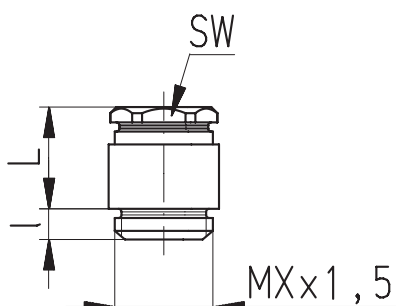
Description	Type	Part No.	P.U.
Cable glands metal			
	Cable Ø [mm] L [mm] l [mm] SW [mm]		
M16x1.5	4 – 9 29 5 18	Z5.507.9521.0	10
M20x1.5	6,5 – 13,5 33 6 22	Z5.507.9621.0	10
M25x1.5	9 – 20 38 7 30	Z5.507.9721.0	10
M32x1.5	17 – 26 43 8 36	Z5.507.9821.0	10
TECHNICAL DATA			
Material	Brass, nickel-plated		
Color	-		
Degree of protection	IP54		
Flammability	-		

DIMENSIONS

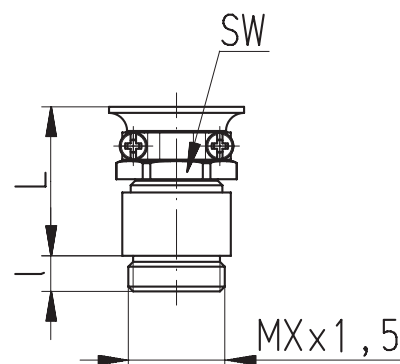
Cable gland, IP54, with strain relief, metal



Cable gland, IP54, metal



Strain relief, IP54, metal



ACCESSORIES · CABLE GLANDS, ACCESSORIES

Reduction piece, nickel-plated brass



Description	Type	Part No.	P.U.		
Reduction piece					
External thread [AG]	Internal thread [IG]	D [mm]	l [mm]		
M20x1.5	M16x1.5	22	6	05.507.9021.0	1
M25x1.5	M20x1.5	27	7	05.507.9121.0	1
M32x1.5	M25x1.5	34	8	05.507.9221.0	1
M40x1.5	M32x1.5	43	8	05.507.9321.0	1
TECHNICAL DATA					
Material	nickel-plated brass				
Color	-				
Degree of protection	-				
Flammability	-				

Expansion piece, nickel-plated brass



Description	Type	Part No.	P.U.		
Expansion piece					
External thread [AG]	Internal thread [IG]	D [mm]	l [mm]		
M16x1.5	M20x1.5	22	5	05.507.8621.0	1
M20x1.5	M25x1.5	27	6	05.507.8721.0	1
M25x1.5	M32x1.5	34	7	05.507.8821.0	1
M32x1.5	M40x1.5	43	8	05.507.8921.0	1
TECHNICAL DATA					
Material	nickel-plated brass				
Color	-				
Degree of protection	-				
Flammability	-				

Adapter for PG-metric conversion



Description	Type	Part No.	P.U.		
Adapter PG					
External thread [AG]	Internal thread [IG]	D [mm]	l [mm]		
PG 13.5	M20x1.5	26	6,5	05.507.7621.0	1
PG 16	M20x1.5	24	6,5	05.507.7721.0	1
PG 21	M25x1.5	30	7	05.507.7821.0	1
TECHNICAL DATA					
Material	nickel-plated brass				
Color	-				
Degree of protection	-				
Flammability	-				

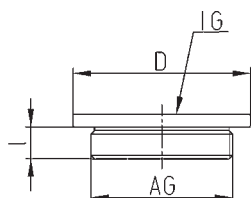
Adapter for metric-PG conversion



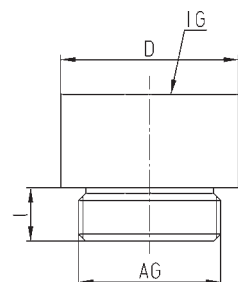
Description	Type	Part No.	P.U.		
Adapter metric					
External thread [AG]	Internal thread [IG]	D [mm]	l [mm]		
M20x1.5	PG 13,5	22	6	05.507.8121.0	1
M20x1.5	PG 16	24	6	05.507.8221.0	1
M25x1.5	PG 21	30	7	05.507.8321.0	1
M32x1.5	PG 29	39	8	05.507.8421.0	1
TECHNICAL DATA					
Material	nickel-plated brass				
Color	-				
Degree of protection	-				
Flammability	-				

DIMENSIONS

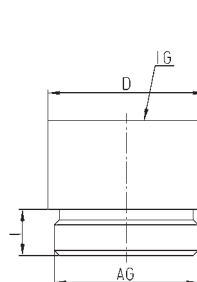
Reduction piece, nickel-plated brass



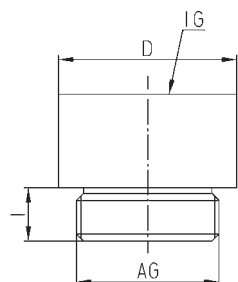
Expansion piece, nickel-plated brass



Adapter for PG-metric conversion



Adapter for metric-PG conversion



ACCESSORIES · CABLE GLANDS, ACCESSORIES

Blind piece with gasket, brass



Description	Type	Part No.	P.U.
Blind piece brass			
Thread [AG]	D [mm]	l [mm]	
M20x1.5	22	6.5	05.507.4021.0 1
M25x1.5	28	7	05.507.4121.0 1
M32x1.5	35	8	05.507.4221.0 1
M40x1.5	44	8.5	05.507.4321.0 1

TECHNICAL DATA

Material	nickel-plated brass
Color	Metalic
Degree of protection	IP68
Flammability	-

Blind piece with gasket, plastic

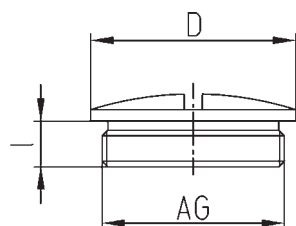


Description	Type	Part No.	P.U.
Blind piece plastic			
Thread [AG]	D [mm]	l [mm]	
M20x1.5	24	6	05.507.4053.0 1
M25x1.5	30	7	05.507.4153.0 1
M32x1.5	38	8	05.507.4253.0 1
M40x1.5	48	9	05.507.4353.0 1

TECHNICAL DATA

Material	Polyamide
Color	gray, RAL 7035
Degree of protection	IP68
Flammability	UL94-V0

DIMENSIONS



ACCESSORIES · PROTECTIVE COVERS WITHOUT LOCKING LEVERS FOR BASIC HOUSINGS

Protective covers without locking levers

Single locking lever Size 16



without gasket

Double locking lever Size 16



without gasket

Description	Type	Part No.	P.U.
revos protective cover			
for single locking lever, without gasket			
Size 6	BAS AD DI 06	07.409.7056.0	10
Size 10	BAS AD DI 10	07.428.5553.0	10
Size 16	BAS AD DI 16	07.428.5653.0	10
Size 24	BAS AD DI 24	07.428.5753.0	10
with tether cord + loop			
Size 6	BAS AD DI 06 FSR	Z7.416.1556.0	10
for single locking lever, with gasket			
Size 6	BAS AD DB 06	Z7.427.8053.0	10
with tether cord + loop			
Size 6	BAS AD DJ 06 FSR	Z7.429.0453.0	10
for double locking lever, without gasket			
Size 10	BAS AD DA 10	07.409.7156.0	10
Size 16	BAS AD DA 16	07.409.7256.0	10
Size 24	BAS AD DA 24	07.409.7356.0	10
with tether cord			
Size 10	BAS AD DA 10 FS	Z7.409.8756.0	10
Size 16	BAS AD DA 16 FS	Z7.409.8856.0	10
Size 24	BAS AD DA 24 FS	Z7.409.8956.0	10
with tether cord + loop			
Size 10	BAS AD DA 10 FSR	Z7.416.1656.0	10
Size 16	BAS AD DA 16 FSR	Z7.416.1756.0	10
Size 24	BAS AD DA 24 FSR	Z7.416.1856.0	10
for double locking lever, with gasket			
Size 10	BAS AD DB 10	Z7.427.8153.0	10
Size 16	BAS AD DB 16	Z7.427.8253.0	10
Size 24	BAS AD DB 24	Z7.427.8353.0	10
with tether cord			
Size 10	BAS AD DB 10 FS	Z7.429.0153.0	10
Size 16	BAS AD DB 16 FS	Z7.429.0253.0	10
Size 24	BAS AD DB 24 FS	Z7.429.0353.0	10
with tether cord + loop			
Size 10	BAS AD DB 10 FSR	Z7.429.0553.0	10
Size 16	BAS AD DB 16 FSR	Z7.429.0653.0	10
Size 24	BAS AD DB 24 FSR	Z7.429.0753.0	10

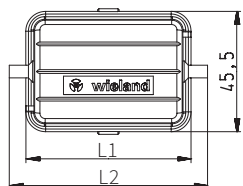
TECHNICAL DATA

Material/Gasket	Polyamide/NBR
Color	silver gray, RAL 7001
Degree of protection	IP65
Flammability	UL94-V0

DIMENSIONS

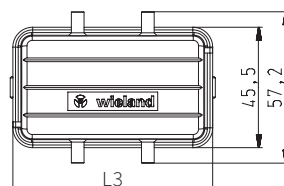
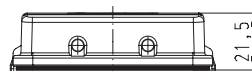
Single locking lever without clamp

Size	L1 [mm]	L2 [mm]
6	62.5	75
10	75.5	90
16	96	110.5
24	122.5	137

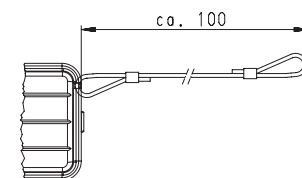


Double locking lever without clamp

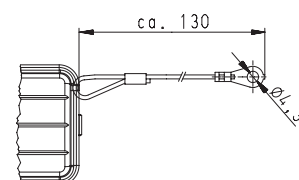
Size	L3 [mm]
10	75.5
16	96
24	122.5



tether cord



tether cord + loop



ACCESSORIES · PROTECTIVE COVERS WITH LOCKING LEVERS FOR BASIC HOUSINGS

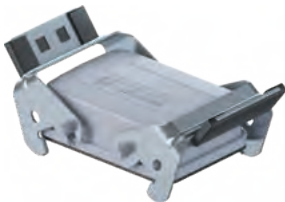
Protective covers with locking levers

Double locking lever Size 10



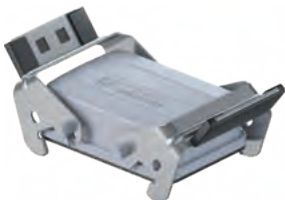
plastic locking levers, with gasket

Double locking lever Size 10



steel locking levers, with gasket

Double locking lever Size 10



stainless steel locking levers, with gasket

Description	Type	Part No.	P.U.
revos protective cover			
for single locking lever, with gasket			
plastic locking levers			
Size 6	BAS AD DH 06 PA	Z7.428.1153.0	10
Size 10	BAS AD DH 10 PA	Z7.428.5553.0	10
Size 16	BAS AD DH 16 PA	Z7.428.5653.0	10
Size 24	BAS AD DH 24 PA	Z7.428.5753.0	10
steel locking levers			
Size 6	BAS AD DH 06 ST	Z7.428.1110.0	10
stainless steel locking levers			
Size 6	BAS AD DG 06 VA	Z7.428.1119.0	10
for double locking lever, with gasket			
plastic locking levers			
Size 10	BAS AD DD 10 PA	Z7.428.1253.0	10
Size 16	BAS AD DD 16 PA	Z7.428.1353.0	10
Size 24	BAS AD DD 24 PA	Z7.428.1453.0	10
steel locking levers			
Size 10	BAS AD DD 10 ST	Z7.428.1210.0	10
Size 16	BAS AD DD 16 ST	Z7.428.1310.0	10
Size 24	BAS AD DD 24 ST	Z7.428.1410.0	10
stainless steel locking levers			
Size 10	BAS AD DD 10 VA	Z7.428.1219.0	10
Size 16	BAS AD DD 16 VA	Z7.428.1319.0	10
Size 24	BAS AD DD 24 VA	Z7.428.1419.0	10
for double locking lever, without gasket			
plastic locking levers			
Size 10	BAS AD DC 10 PA	Z7.428.1653.0	10
Size 16	BAS AD DC 16 PA	Z7.428.1753.0	10
Size 24	BAS AD DC 24 PA	Z7.428.1853.0	10

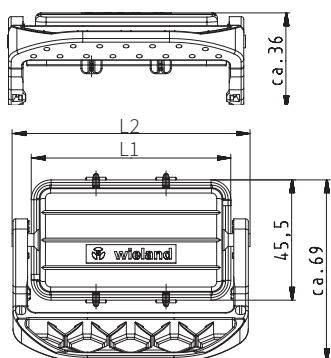
TECHNICAL DATA

Material/Gasket	Polyamide/NBR
Color	silver gray, RAL 7001
Degree of protection	IP65
Flammability	UL94-V0

DIMENSIONS

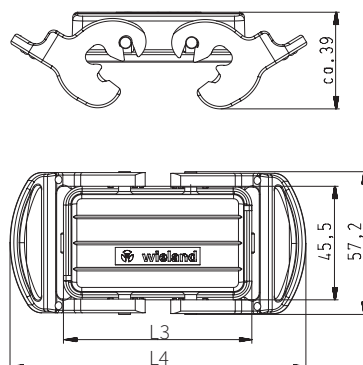
Single locking lever with clamp, plastic

Size	L1 [mm]	L2 [mm]
6	62.5	75
10	75.5	90
16	96	110.5
24	122.5	137



Double locking lever with clamp, plastic

Size	L3 [mm]	L4 [mm]
10	75.5	119
16	96	140
24	122.5	166



ACCESSORIES · PROTECTIVE COVER FOR REVOS BASIC HOUSINGS SIZE 32

Protective covers



without locking levers, without gasket

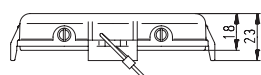
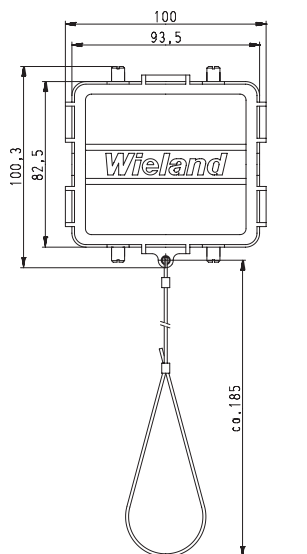


with locking levers, with gasket

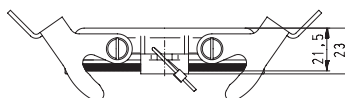
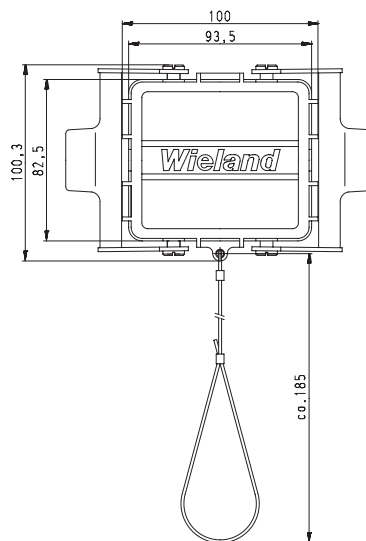
Description	Type	Part No.	P.U.
revos protective cover with tether cord + loop			
without locking levers, without gasket			
Size 32	BAS AD DA 32 FS ST	Z7.419.6228.0	10
with locking levers, with gasket			
Size 32	BAS AD DD 32 FS ST	Z7.419.6128.0	10
TECHNICAL DATA			
Material	Die cast aluminum		
Surface	Silicon-free		
Locking levers	Zinc-plated steel		
Gasket	NBR		
Degree of protection	IP65		

DIMENSIONS

Protective covers without locking levers



Protective cover with locking levers



ACCESSORIES · PROTECTIVE COVER FOR REVOS BASIC HOUSINGS SIZE 6-24

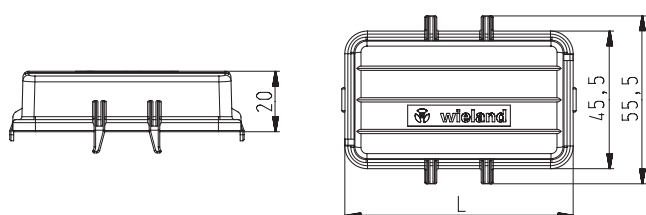
Protective cover latchable



Description	Type	Part No.	P.U.
Protective cover rastbar			
Size 6/6H	BAS AD DK 06	Z7.409.7056.0	10
Size 10/10H	BAS AD DL 10	Z7.409.7156.0	10
Size 16/16H	BAS AD DL 16	Z7.409.7256.0	10
Size 24/24H	BAS AD DL 24	Z7.409.7356.0	10
TECHNICAL DATA			
Material	Polyamide		
Color	RAL 7001		
Degree of protection	-		
Flammability	-		

Dimensions

Protective cover latchable



ACCESSORIES · PROTECTIVE COVER FOR REVOS MINI HOUSINGS

Protective cover



without gasket

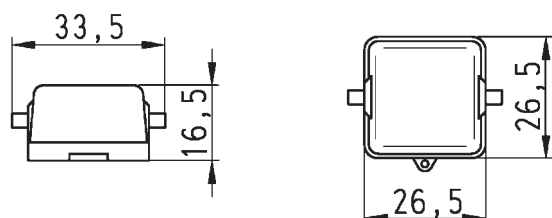


with gasket (on the inside)

Description	Type	Part No.	P.U.
Protective cover for revos MINI Housings			
without gasket for male insert			
plastic	MIN AD DA 7 P	07.417.6753.0	10
Metal	MIN AD DA 7 Z	07.417.6729.0	10
with gasket for female insert			
plastic	MIN AD DB 7 P	07.417.6853.0	10
Metal	MIN AD DB 7 Z	07.417.6829.0	10
TECHNICAL DATA			
Material	Die cast zinc alloy/Polyamide		
Surface	Silicon-free		
Locking levers	-		
Gehäusedichtung	NBR		
Schutzart	IP65		

DIMENSIONS

Protective cover



ACCESSORIES · TOOLS

Crimping tool kit



Description	Type	Part No.	P.U.
Crimping tool for revos contacts			
Crimping tool without crimping die and positioner		95.101.0800.0	1
Accessoires for crimping tool see page 326			

For assignment of contacts to crimping tool see page 328.

Stripping tool



Description	Type	Part No.	P.U.
Tool			
Stripping tool	0.08 – 10 mm ² / 28 – 7 AWG	95.350.0100.0	1

Hand crimping tool



Description	Type	Part No.	P.U.
Crimping tool for contacts Ø 1 mm see page 100.			
Hand crimping tool without contact positioner		95.101.2100.0	1
Hand crimping tool with contact positioner		95.101.2200.0	1

Screwdriver



Description	Type	Part No.	P.U.
Tool			
Screwdriver	Blade 0.6 x 3.5 form "B"	06.502.4000.0	5

For use with contact inserts and multipole adapters with spring clamp connection

Axial screwdriver



Description	Type	Part No.	P.U.
Tool			
Axial screwdriver	POW AXIALSHR ISK SW2	05.502.4500.0	5

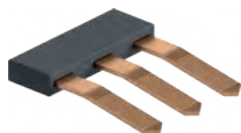
Extraction tool



Description	Type	Part No.	P.U.
Tool			
Extraction tool	HD (for Ø 1.58 mm contacts)	05.502.0000.0	1
Extraction tool	500/690V-Serie	05.502.3500.0	1
Extraction tool	for Ø 4 mm contacts	05.502.4400.0	1

ACCESSORIES · JUMPER BAR FOR REVOS BASIC

Jumper bar for revos^{BASIC} multipole adapters



Description	Type	Part No.	P.U.
Insulated jumper bar for revos^{BASIC} multipole adapters			
Number of poles			
2-pole		Z7.256.0227.0	10
3-pole		Z7.256.0327.0	10
6-pole		Z7.256.0627.0	10
8-pole		Z7.256.0827.0	10
12-pole		Z7.256.1227.0	10
TECHNISCHE DATEN			
Material	Polyamide		
Rated voltage	500 V		
Rated current	16 A		

ACCESSORIES · MARKING TAG CARRIERS

Marking tag carriers for multipole adapters



Description	Type	Part No.	P.U.
Marking tag carriers, complete			
40-pole		Z4.242.3753.0	10
64-pole		Z4.242.4053.0	10
Marking tags			
Single tag, max. 3-digits			
unmarked marking field 8.3x4.5 mm	9705 A	04.242.0850.0	500
Single tag, max. 8-digits			
unmarked marking field 14x4.5 mm	9705 AL	04.242.1553.0	500
Marking strip with 12 tags, 6.7 mm spacing			
unmarked marking field 8.3x6.45 mm	9705A/6,7/12	04.242.6753.0	25
marked 1 - 9	9705A/6,7/12 B 1-9	99.000.0920.8	25

45° Marking tag carrier



Description	Type	Part No.	P.U.
Marking tag carriers			
2x4-digits, 45°	9705 A/4 W	04.242.2853.0	200
Marking tags			
Single tag, max. 3-digits			
unmarked marking field 8.3x4.5 mm	9705 A	04.242.0850.0	500
Single tag, max. 8-digits			
unmarked marking field 14x4.5 mm	9705 AL	04.242.1553.0	500
Marking strip with 12 tags, 6.7 mm spacing			
unmarked marking field 8.3x6.45 mm	9705A/6,7/12	04.242.6753.0	25
marked 1 - 9	9705A/6,7/12 B 1-9	99.000.0920.8	25
Marking strip with 12 tags, 6.7 mm spacing			
24-pole marked 1 - 24	9705A/6,7/2X12 B 1-24	99.005.0920.8	25



ACCESSORIES · MARKING TAGS

Tear-off marking strip



Description	Contents	Type	Part No.	P.U.
Marking tags-Ast				
unmarked		9704 A	04.241.1150.0	25
marked with the same number				
	10x "1"	9704 A/1 B	04.841.1150.0	25
	10x "2"	9704 A/2 B	04.841.1250.0	25
	10x "3"	9704 A/3 B	04.841.1350.0	25
	10x "4"	9704 A/4 B	04.841.1450.0	25
	10x "5"	9704 A/5 B	04.841.1550.0	25
	10x "6"	9704 A/6 B	04.841.1650.0	25
	10x "7"	9704 A/7 B	04.841.1750.0	25
	10x "8"	9704 A/8 B	04.841.1850.0	25
	10x "9"	9704 A/9 B	04.841.1950.0	25
	10x "0"	9704 A/0 B	04.841.2050.0	25
marked with consecutive numbers	1 2 3 4 5 6 7 8 9 0	9704 A/1-0 B	04.841.2150.0	25
marked with the same uppercase letters				
	10x "A"	9704 A/AG B	04.841.2250.0	25
	10x "B"	9704 A/BG B	04.841.2350.0	25
	10x "C"	9704 A/CG B	04.841.2450.0	25
	10x "D"	9704 A/DG B	04.841.2550.0	25
	10x "E"	9704 A/EG B	04.841.2650.0	25
	10x "F"	9704 A/FG B	04.841.2750.0	25
	10x "G"	9704 A/GG B	04.841.2850.0	25
	10x "H"	9704 A/HG B	04.841.2950.0	25
	10x "I"	9704 A/IG B	04.841.3050.0	25
	10x "J"	9704 A/JG B	04.841.3150.0	25
	10x "K"	9704 A/KG B	04.841.3250.0	25
	10x "L"	9704 A/LG B	04.841.3350.0	25
	10x "M"	9704 A/MG B	04.841.3450.0	25
	10x "N"	9704 A/NG B	04.841.3550.0	25
	10x "O"	9704 A/OG B	04.841.3650.0	25
	10x "P"	9704 A/PG B	04.841.3750.0	25
	10x "Q"	9704 A/QG B	04.841.3850.0	25
	10x "R"	9704 A/RG B	04.841.3950.0	25
	10x "S"	9704 A/SG B	04.841.4050.0	25
	10x "T"	9704 A/TG B	04.841.4150.0	25
	10x "U"	9704 A/UG B	04.841.4250.0	25
	10x "V"	9704 A/VG B	04.841.4350.0	25
	10x "W"	9704 A/WG B	04.841.4450.0	25
	10x "X"	9704 A/XG B	04.841.4550.0	25
	10x "Y"	9704 A/YG B	04.841.4650.0	25
	10x "Z"	9704 A/ZG B	04.841.4750.0	25

ACCESSORIES · MARKING TAGS

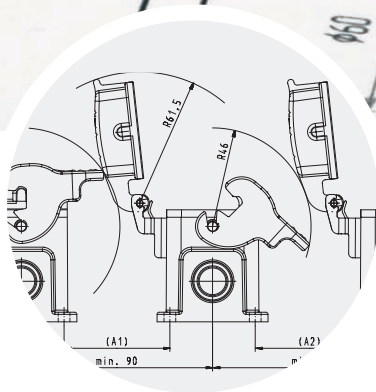
Tear-off marking strip

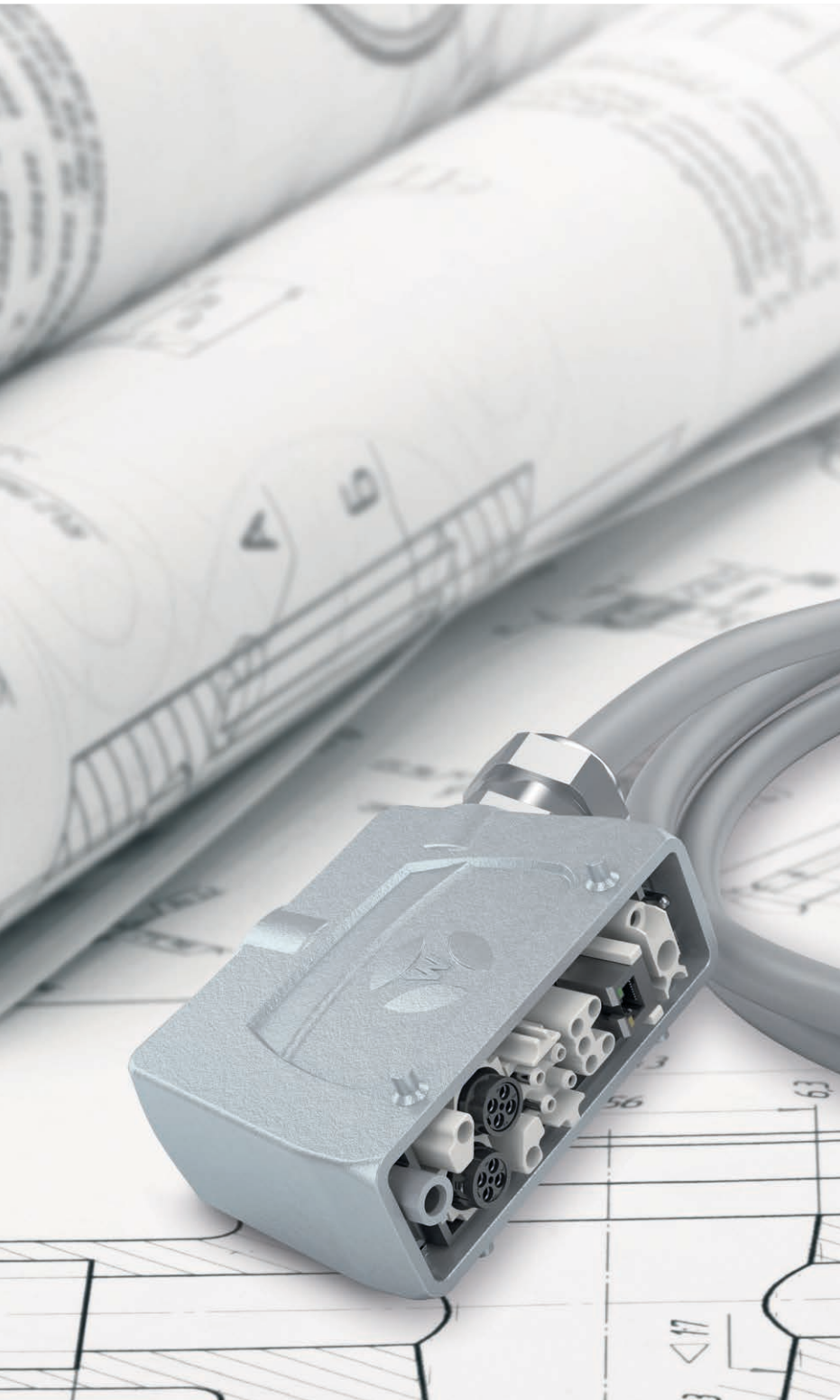



Description	Contents	Type	Part No.	P.U.
marked with the same lowercase letters				
	10x "a"	9704 A/AK B	04.841.4850.0	25
	10x "b"	9704 A/BK B	04.841.4950.0	25
	10x "c"	9704 A/CK B	04.841.5050.0	25
	10x "d"	9704 A/DK B	04.841.5150.0	25
	10x "e"	9704 A/EK B	04.841.5250.0	25
	10x "f"	9704 A/FK B	04.841.5350.0	25
	10x "g"	9704 A/GK B	04.841.5450.0	25
	10x "h"	9704 A/HK B	04.841.5550.0	25
	10x "i"	9704 A/IK B	04.841.5650.0	25
	10x "j"	9704 A/JK B	04.841.5750.0	25
	10x "k"	9704 A/KK B	04.841.5850.0	25
	10x "l"	9704 A/LK B	04.841.5950.0	25
	10x "m"	9704 A/MK B	04.841.6050.0	25
	10x "n"	9704 A/NK B	04.841.6150.0	25
	10x "o"	9704 A/OK B	04.841.6250.0	25
	10x "p"	9704 A/PK B	04.841.6350.0	25
	10x "q"	9704 A/QK B	04.841.6450.0	25
	10x "r"	9704 A/RK B	04.841.6550.0	25
	10x "s"	9704 A/SK B	04.841.6650.0	25
	10x "t"	9704 A/TK B	04.841.6750.0	25
	10x "u"	9704 A/UK B	04.841.6850.0	25
	10x "v"	9704 A/VK B	04.841.6950.0	25
	10x "w"	9704 A/WK B	04.841.7050.0	25
	10x "x"	9704 A/XK B	04.841.7150.0	25
	10x "y"	9704 A/YK B	04.841.7250.0	25
	10x "z"	9704 A/ZK B	04.841.7350.0	25
marked with the same symbols				
	10x "+"	9704 A/+ B	04.841.7450.0	25
	10x "-"	9704 A/- B	04.841.7550.0	25
	10x "/"	9704 A// B	04.841.7650.0	25
	10x "."	9704 A/. B	04.841.7750.0	25
Large packs				
Same numbers = 10 x 25 strips = 2500 tags	1 1 1 ... 0 0 0	111..BIS 000..	04.841.9050.0	1
Uppercase letters = 26 x 25 strips = 6500 tags	A A A ... Z Z Z	A BIS Z GB	04.841.9150.0	1



FACTS & DATA





Conductor connections	310
Tightening torque	312
Definition of the IP degrees of protection	313
Current carrying capacity – Derating behavior	316
Characteristics of contact platings	318
Hazardous areas	320
Installation spacing	
revos BASIC	322
revos EMV	324
revos HD	324
revos FLEX COMPACT 1 M	324
revos 	324
Crimping tool	326
Assignment of contacts to Crimping tool	328



CONDUCTOR CONNECTIONS

Rated connection capacity and suitable conductor

Table 1: (EN 60 999-1: 2000): Relationship between rated connection capacity and diameter of the conductor

Rated connection capacity	Theoretical diameter of the largest conductor						Connectable conductor	
	Metric			AWG			Rigid	Flexible
	Solid	Rigid Multistrand	Flexible	Rigid Solid	Multistrand	Flexible Multistrand		
mm ²	mm	mm	mm	Conductor size	mm	mm	mm	Must be set in the relevant product standard
0.2	0.51	0.53	0.61	24	0.54	0.61	0.64	
0.34	0.63	0.66	0.8	22	0.68	0.71	0.80	
0.5	0.9	1.1	1.1	20	0.85	0.97	1.02	
0.75	1.0	1.2	1.3	18	1.07	1.23	1.28	
1.0	1.2	1.4	1.5	-	-	-	-	
1.5	1.5	1.7	1.8	16	1.35	1.55	1.60	
2.5	1.9	2.2	2.3 ^{a)}	14	1.71	1.95	2.08	
4.0	2.4	2.7	2.9 ^{a)}	12	2.15	2.45	2.70	
6.0	2.9	3.3	3.9 ^{a)}	10	2.72	3.09	3.36	
10.0	3.7	4.2	5.1	8	3.34	3.89	4.32	
16.0	4.6	5.3	6.3	6	4.32	4.91	5.73	
25.0	-	6.6	7.8	4	5.45	6.18	7.26	
35	-	7.9	9.2	2	6.87 ^{b)}	7.78 ^{b)} / Class B	9.02 ^{c)} / Class I, K, M	

NOTE:

The diameters of the largest rigid and flexible conductors are based on Table 1 in accordance with IEC 60 228A and IEC 30 344 and for AWG conductors on ASTM B 172-71 [4], ICEA Publication S-19-81 [5], ICEA Publication S-66-524 [6], and ICEA Publication S-66-516 [7]

- a) Dimensions only for flexible cables of class 5 in accordance with IEC 60 228A.
- b) Nominal diameter + 5%
- c) Largest diameter for each of the three classes I, K, M, + 5%

Theoretical diameter of the largest conductor and relationship between rated cross section and connectable conductors

Table 1: (EN 60 999-2: 2003): Relationship between rated cross section and diameter of the conductors

Rated cross section	Theoretical diameter of the largest conductor		Connectable conductor	
	Metric		Rigid	Flexible
	Rigid Multistrand	Flexible ^{a)}		
mm ²	mm	mm	Must be set in the relevant product standard	
50	9.1	11.0		
70	11.0	13.1		
95	12.9	15.1		
-	-	-		
120	14.5	17.0		
150	16.2	19.0		
185	18.0	21.0		
-	-	-		
240	20.6	24.0		
300	23.1	27.0		

NOTE:

The diameters of the largest rigid and flexible conductors are based on Table 1 and Table 3 of IEC 60 228A.

- a) Dimensions only for flexible conductors of class 5 in accordance with IEC 60 228A.

CONDUCTOR CONNECTIONS

Nominal cross sections of round copper conductors and an approximate relationship between mm² and AWG/kcmil sizes

Metric size ISO				Comparison between AWG/kcmil and metric sizes			
mm ²	AWG	kcmil	mm ²	mm ²	AWG	kcmil	mm ²
0.1 *	28		0.081	16	6		13.3
0.14 *	26		0.128	25	4		21.2
0.2	24		0.205	.5	2		33.6
-	22		0.324	50	(1/0)	0	53.5
0.5	20		0.519	70	(2/0)	00	67.4
0.75	18		0.82	95	(3/0)	000	85
1	-		-	-	(4/0)	0000	107.2
1.5	16		1.3	120		250	127
2.5	14		2.1	150		300	152
4	12		3.3	185		350	177
6	10		5.3	240		500	253
10	8		8.4	300		600	304

* not standardized

Composition and dimensions of single, multi, fine and extra-fine-wire conductors made of copper

Extract from DIN EN 60228:2005-09; VDE 0295:2005-09 Conductors for electric and insulated cables (IEC 60228:2004); German version EN 60228:2005 + Corrigendum:2005

Nominal cross section	Solid		Multistrand		Fine strand	
	Maximum dimension diameter	Number of wires	Maximum dimension diameter	Number of wires	Maximum dimension diameter	Reference number of wires
mm ²		mm	-	mm		
0.5	0.9	1	-	-	1.1	16
0.75	1.0	1	-	-	1.3	24
1	1.2	1	-	-	1.5	32
1.5	1.5	1	-	-	1.8	30
2.5	1.9	1	-	-	2.3	50
4	2.4	1	-	-	2.9	56
6	2.9	1	-	-	3.9	84
10	3.7	1	4.2	7	5.1	80
16	4.6	1	5.3	7	6.3	126
25	-	-	6.6	7	7.8	196
35	-	-	7.9	7	9.2	276
50	-	-	9.1	19	11	396
70	-	-	11	19	13.1	360
95	-	-	12.9	19	15.1	475
120	-	-	14.5	37	17	608
150	-	-	16.2	37	19	756
185	-	-	18	37	21	925
240	-	-	20.6	61	24	1224

CURRENT LOAD CAPACITY OF CABLES OR LINES

Recommended values for current load capacity of cables or lines for fixed installation and open-air installation should be taken from DIN VDE 0298 Part4/08.2003



TIGHTENING TORQUE

Tightening torque of screw connections

Extract from DIN EN 60947-1 (VDE 0660-100):2015

Tightening torque for proving the mechanical tightness of screw connections

Table 4: Tightening torques for proving the mechanical tightness of screw connections/terminals

Thread diameter		Tightening torque (Nm)		
Metric standard values	Diameter range	I	II	III
1.6	1.6	0.05	0.1	0.1
2.0	1.6 to 2.0	0.1	0.2	0.2
2.5	2.0 to 2.8	0.2	0.4	0.4
3.0	2.8 to 3.0	0.25	0.5	0.5
-	3.0 to 3.2	0.3	0.6	0.6
3.5	3.2 to 3.6	0.4	0.8	0.8
4	3.6 to 4.1	0.7	1.2	1.2
4.5	4.1 to 4.7	0.8	1.8	1.8
5	4.7 to 5.3	0.8	2.0	2.0
6	5.3 to 6.0	1.2	2.5	3.0
8	6.0 to 8.0	2.5	3.5	6.0
10	8.0 to 10.0	-	4.0	10.0
12	10 to 12	-	-	14.0
14	12 to 15	-	-	19.0
16	15 to 20	-	-	25.0
20	20 to 24	-	-	36.0
24	24	-	-	50.0

Column I: Applies for screws without heads that do not protrude from the thread hole and for screws that can only be tightened with screwdrivers with an edge narrower than the screw's thread core diameter.

Column II: Applies for nuts and screws that are tightened with screwdrivers.

Column III: Applies for nuts and screws that can be tightened with tools other than screwdrivers.

DEFINITION OF THE IP DEGREES OF PROTECTION

For applications in industrial environments, degrees of protections and standards were defined that specify the environmental impact regarding contact, protection against foreign bodies and humidity to which a system can be exposed without being damaged. The degrees of protection are defined in the IP standard of DIN EN 60 529, DIN VDE 470-1:2014: degrees of protection achieved through housings (IP code).

The IP code consists of a two-digit number that indicates the relevant protection degree. The first digit specifies the protection degree for the protection against contact and foreign bodies while the second digit specifies the protection against water and humidity.

PRACTICAL NOTES:

For “normal” industrial systems where multipole connectors are used in closed factory halls, protection according to IP54 is normally offered = protected against dust + protected against splashing water. This protection is normally completely sufficient. For systems in outdoor applications (vehicles, snow guns, etc.) we recommend protection according to IP65 = dustproof + protected against jets of water. A protection according to IP67 or IP68 is required for only a few outdoor applications unless a continuous immersion of the components cannot be avoided.

The following tables are to describe the protection degrees in detail:

Degrees of protection from Table 1 + 2: Protection against contact and foreign bodies

1st	Degrees of protection against access to dangerous parts	Degrees of protection against solid foreign bodies
0	No protection	No protection
1	Protection against contact with large parts of the body, for example the back of the hand	Protection against foreign bodies with a diameter of 50 mm and larger.
2	Protection against contact with the finger of 12.5 mm and larger.	Protection against foreign bodies with a diameter of 12.5 mm and larger.
3	Protection against contact with tools and wires larger than 2.5 mm	Protection against foreign bodies with a diameter of 2.5 mm and larger.
4	Protection against contact with tools and wires larger than 1 mm	Protection against foreign bodies with a diameter of 1 mm and larger.
5	Complete protection against accidental contact	Protection against dust: Penetration of dust is not fully prevented, but dust must not penetrate to such an extent that the equipment’s functionality or safety is restricted in any way
6	Complete protection against accidental contact	Dustproof: No penetration of dust possible with a negative pressure of 20 mbar.



DEFINITION OF THE IP DEGREES OF PROTECTION

Table 3: Degree of protection against water (DIN EN 60529:2000)

2nd	Protection against ingress of water
0	No protection
1	Protection against dripping water: Dripping water falling vertically must not have a damaging effect
2	Protection against dripping water up to a tilt of 15°: Dripping water falling vertically must not have a damaging effect, if the equipment is tilted by up to 15°.
3	Protection against spraying water: Water that is sprayed in an angle of up to 60° must not have any damaging effect
4	Protection against splashing water: Water spraying from all directions towards the equipment must not have any damaging effect
5	Protection from jets of water: Jets of water directed towards the equipment from all directions must not have any damaging effect
6	Protection from powerful jets of water: Powerful jets of water that are directed towards the housing from all directions must not have any damaging effect.
7	Protection from temporary immersion in water: Water must not ingress in a quantity that has a damaging effect, if the housing is temporarily immersed in water under standardized pressure and time conditions
8	Protection from continuous immersion in water: Water must not ingress in a quantity that has a damaging effect, if the housing is continuously immersed in water under conditions agreed upon between the manufacturer and the user. The conditions must however be more severe than for key figure 7.
9	Protected against ingress of water from all directions, even with highly increased pressure against the housing. (High-pressure/steam jet cleaner, 80–100 bar)

DEFINITION OF THE IP DEGREES OF PROTECTION

DEGREES OF PROTECTION AGAINST WATER, DESIGNATED BY THE SECOND INDEX NUMBER

The second index number defines the level of protection provided by the housing against damaging influences on the equipment resulting from the intrusion of water.

Table 3 gives short descriptions and definitions for the degrees of protection defined by the second index number.

Degrees of protection listed in this table may only be determined using the second index number and not through reference to the brief description or definition.

Up to the second index number 6, the description means that the requirements for all lower index numbers are also fulfilled.

A housing designated with just the second index number 7 or 8 is considered unsuitable for exposure to jet-spray water (designated with the second index number 5 or 6) and does not need to meet the requirements of index numbers 5 or 6, unless equipped with a double designation according to the following table:

The housing meets the test for			
jet-spray water, second index number	Temporary/permanent submersion second index number	Description and label	Area of application
5	7	IPX5 / IPX7	Multipurpose
6	7	IPX6 / IPX7	Multipurpose
5	8	IPX5 / IPX8	Multipurpose
6	8	IPX6 / IPX8	Multipurpose
	7	IPX7	Restricted
	8	IPX8	Restricted

Housings for "multipurpose" use, as specified in the last column, must meet the requirements, both when exposed to jet-spray water or when temporarily or permanently submerged.

Housings for "restricted" use, as specified in the last column, are considered suitable only for temporary or permanent submersion and unsuitable for exposure to jet-spray water.



Current carrying capacity of revos industrial multipole connectors

The current carrying capacity for plug connectors is determined and established based on DIN EN 61 984/VDE 0627: 2009 and DIN EN 175 301-801: 2007, if applicable.

During proper use, the contact inserts of the revos series must not be inserted or removed under load or when live.

The contact inserts of the revos series are type-tested according to UL 1977 and C22.2 NO 182.1 and must not be inserted or removed when under load.

The rated current is the maximum operating current. The temperature resistance of the used connection cable must be suitable for the intended purpose. (IEC 60 364-5-52 / DIN VDE 0298-4)

Remark on double PE connection:

The PE connection always has to be designed equally on both sides to ensure the consistency of the PE connection. A certified electrician must ensure PE consistency, if connectors with two electrically insulated PE connections are used.

The protection function must be ensured by suitable measures if used in plastic housings or during maintenance work on the connectors outside the metal housing.

Information on how to change over from PG to metric threads

BASIC LEGAL CONDITIONS

The European standard EN 50 262 “Metric Cable Glands for Electrical Installation” was ratified on April 01, 1989 by CENELEC (European Committee for Electrotechnical Standardization) and put into force.

The big difference in the new EN standard is it has the character of a safety standard.

As a building standard it only defines the metric thread and its lead.



PG threads are available on request!

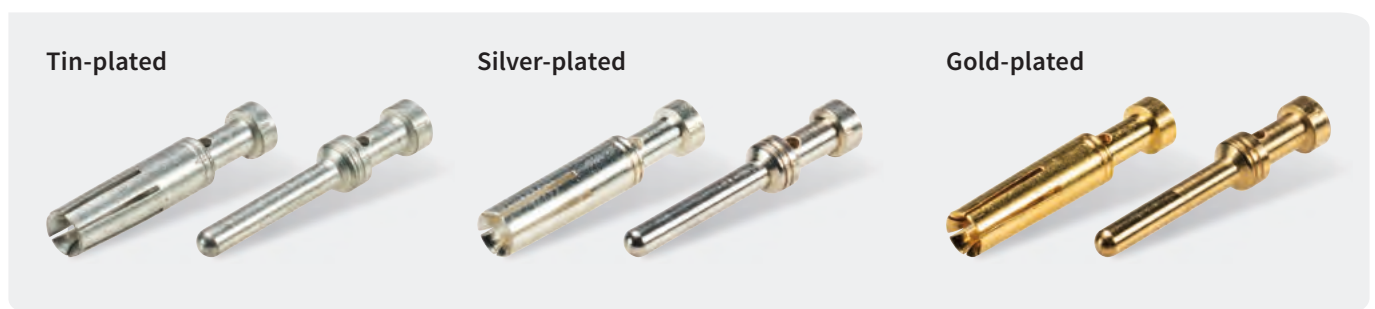


SELECTION CRITERIA + CHARACTERISTICS OF CONTACT PLATINGS

CONTACT PLATINGS

The core of an electric plug connection is the contact pair, consisting of the socket and plug contacts. Contacts are produced almost exclusively from copper alloys, and Wieland Electric GmbH uses contact platings made of tin, silver and gold, depending on the product specification:

- Tin is corrosion-resistant
- Silver offers favorable conditions at high current and with cyclical switching processes
- Gold offers protection against aggressive environmental conditions



SCREW AND CRIMP DESIGN

revos – 16 A plug connector in screw and crimp design are available in all three surface platings, tin, silver and gold.

SPRING CLAMP DESIGN

revos – 16 A plug connectors with spring clamp contacts are available with silver-plating

HYBRID PLUG CONNECTORS

revos – hybrid plug connectors are normally supplied in a tin version for $I \leq 16$ A in and in a silver-plated version for $I > 16$ A.

MULTIPOLE ADAPTERS

revos – 16 A multipole adapters are normally available tin-plated.

INSERTS WITH TIN-PLATED CONTACTS:

Offers excellent resistance to the corrosive gases SO₂ and H₂S. Tin-plated contacts are especially well suited for transmitting low voltages and current in the millivolt and µA range, but also for typical signal voltages, such as 24 V and lower ampere, or network voltage and corresponding current.

INSERTS CONNECTORS WITH SILVER-PLATED CONTACTS:

Silver-plated contacts extend the operating life of the plug connector when there is strong current, in particular with cyclical motor start-up current that is markedly above the nominal current of the plug connectors. For example, in use on plastic injection molding machines that switch current on and off within seconds. Silver-plated contacts have proven themselves when the maximum current load capacity limit of 16 A was almost surpassed. Here, too, longer life cycles can be achieved.

In the range of high contact temperatures (> 100 °C), silver-plated contacts are preferable to tin-plated contacts.

Aging of silver contacts due to the influence of industrial atmospheres.

During the lifetime of the silver contacts, a silver sulfide layer can form due to the increased affinity of silver for sulfur, which is present in industrial atmospheres in small amounts.

Through the chemical reaction of the silver with the gaseous sulfur in the surrounding air, brown to black layers arise, which result in coloring of the surface.

The chemical reaction of the silver surfaces on the plug systems of Wieland Electric GmbH can be delayed by passivating the silver-plated surfaces at the factory with an additional layer.

This passivation protects the silver temporarily from a reaction with the gaseous sulfur in the surrounding air. Every currently known passivation layer will protect the silver surface for a limited time only, and a silver sulfide layer, including a black-brown coloration, will form.

This soft layer is extremely thin and is broken through when the contacts are mated. As a result, low transmission resistance is assured, even for colored contacts. This has been proven in numerous examinations in our laboratory.

INSERTS CONNECTORS WITH GOLD-PLATED CONTACTS:

In areas where high signal precision is required and the signals are transmitted through extremely small current and low voltage, signal distortions can occur with silver contacts with a silver sulfide layer. To simplify, the following values can be used: For current < 5 mA and voltages up to 5 V, tin-plated or gold-plated contacts are recommended.

But for extreme applications, only gold-plated contacts should be used.


CONCLUSION:

Fundamentally, tin-plated contacts are very good or better suited than silver-plated contacts for all types of signal current. For stronger current, when used with high ambient temperatures or a cyclical electric current, longer service lives can be expected with silver-plated contacts. Gold-plated contacts should be used in the range of very low voltage and current.

Wieland has decades of experience in the area of pluggable connection technology. We offer the best-possible contact with the optimal plating for every application.



EXPLANATIONS OF APPLICATIONS IN HAZARDOUS AREAS

revos -multipole connectors are designed for special applications in hazardous areas. Their use in zone 0 for intrinsic circuits has been approved by the DEKRA EXAM test institute. The housings for the multipole connectors are manufactured from die cast zinc alloy.

Operating instructions for the connector series „revos Ex...“

A pluggable connection consists of a hood, a base as well as a female and male insert.

Installation of a pluggable connection must be prepared as follows:

- Closed bottom housings must be fixed with screws to a flat surface using the available bore holes.
- Open-bottom housings must be fixed with screws to a flat surface using the available bore holes. Before fixing the housing to the surface, ensure that the seal fixed to the base at the time of delivery is mounted correctly.
- The female insert and male insert must be screwed into the hood (or alternatively screwed into the base) using the screws already attached to the frame of the male or female connector.
- The cables are connected to the male connectors and female connectors using the screw connection with a torque of 0.5 Nm.

The components are made ready for operation by plugging the hood and base together and latching them.

The relevant connectors must be mounted to device in a way that at least protection degree IP54 according to EN 60529 is ensured.

The „revos Ex“ connectors are designed for use in an ambient temperature range at installation site of -20 °C to +60 °C.

Usage note:

The „revos Ex“ plug connector series can be used with a rated voltage of 90 V and a permissible cable cross-section of 0.5 mm² to 2.5 mm² for the following application areas according to ATEX directive 94/9/EC and the EN 60079-0:2006, EN 60079-11:2007 and EN 50303:2000 standards:

 **I M1 Ex ia I**

Proof is provided by the marking of the Ex area on the individual components of the connector.

Permissible conductor cross section: 1.5 mm ² to	2.5 mm ²	to	16 A
	1.0 mm ²	to	10 A
	0.75 mm ²	to	6 A
	0.5 mm ²	to	3 A



Fachstelle
für Sicherheit elektrischer
Betriebsmittel - BVS

Carl-Beyling-Haus
Dinnendahlstraße 9
44809 Bochum



DAR-Reg.-Nr.:
ZLS-P-359-2/01

Prüfprotokoll - Test and Assessment Report
BVS PP 03.1081 EG

EG - Baumusterprüfung für Geräte und Komponenten
zur Verwendung in explosionsgefährdeten Bereichen
(Richtlinie 94/9/EG)

EC - Type Examination for Equipment and Components
Intended for Use in Potentially Explosive Atmospheres
(Directive 94/9/EC)

Gegenstand: Gerät Typ
Subject: Equipment type
Hergestellt und zur Prüfung vorgelegt
Manufactured and submitted for examination
Anschrift
Address
Prüfgrundlage
Basis for examination
Verwendete Normen
Standard basis
Prüfgrundlage für Sicherheits- und
Gesundheitsanforderungen, die nicht von
den verwendeten Normen abgedeckt
werden.
Basis for those health and safety requirements
not covered by the standard basis
Kennzeichnung
Marking
Antragsnummer
Project number

Seite 1 von 7 ZUF

Dinnendahlstraße 9
(bis 31.05.)

Stockbinderserie revos Typ Ex**



DEKRA
Translation

2nd Supplement
(Supplement in accordance with Directive 94/9/EC Annex III number 6)
to the EC-Type Examination Certificate
BVS 03 ATEX E 184 X

Equipment: Industrial multipole connectors revos type Ex**
Manufacturer: Wieland Electric GmbH
Address: 96052 Bamberg, Germany

Description

The reason for the issuance of this supplement is to certify the conformity of this equipment with the standard level of EN 60079-0:2006, EN 60079-11:2007 and EN 50303:2000 as well as changing the apparatus category to M1.

The industrial multipole connectors revos type Ex** are rectangular connectors available in a 6-, 10-, 16-, 24-, and 48-pole variant with a screw-type terminal and suitable for a wire range of 0,5 – 2,5mm² which allow to connect single-conductors or fine-wired conductors. The upper and lower section of the enclosures are available in an one hand or two hand interlocking variant and as needed for mounting to an equipment or as a free cable joint.

The connector contains only parts which do not affect the type of protection intrinsic safety. Due to the equipments type of construction the different intrinsically safe circuits are separated up to a sum of voltages (peak values) of 90 V.

The Essential Health and Safety Requirements of the modified equipment are assured by compliance with:
EN 60079-0:2006 General requirements
EN 60079-11:2007 Intrinsic safety 'i'
EN 50303:2000 M1 Equipment

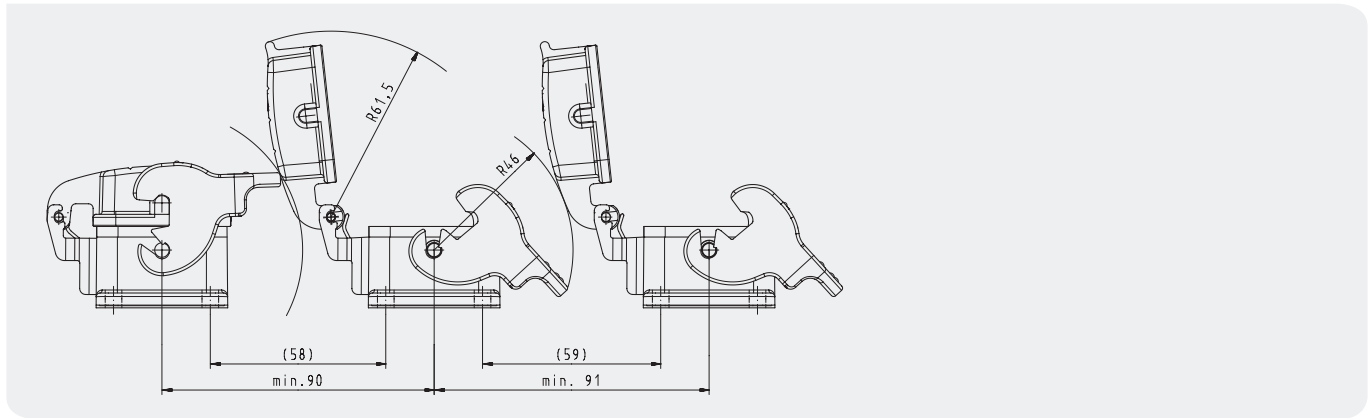
The marking of the equipment shall include the following:

IM1 Ex ia I

INSTALLATION SPACING + MOUNTING DIMENSIONS REVOS BASIC

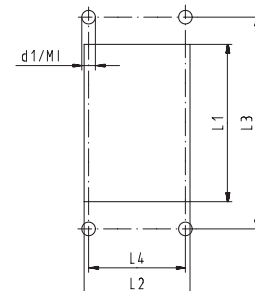
Open-bottom bases, single locking lever

MINIMUM INSTALLATION SPACING



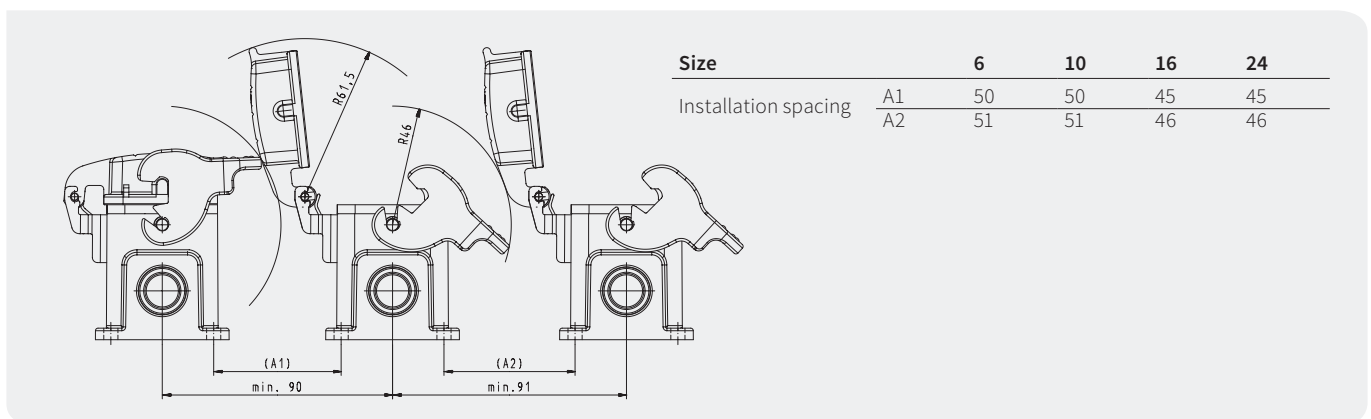
MOUNTING DIAGRAM FOR SIZE 6 TO 48

Size		6	10	16	24	48
Cut-out	L1	52	65	85.5	112	117
	L2	35	35	35	35	81
	L3	70	83	103	130	148
Installation spacing	L4	32	32	32	32	70
	d1	4.3	4.3	4.3	4.3	6.4
	M	M4	M4	M4	M4	M6



Closed-bottom bases, single locking lever

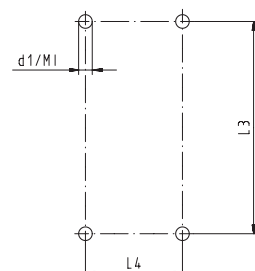
MINIMUM INSTALLATION SPACING FOR SIZE 6 TO 24



Size		6	10	16	24
Installation spacing	A1	50	50	45	45
	A2	51	51	46	46

MOUNTING DIAGRAM FOR SIZE 6 TO 48

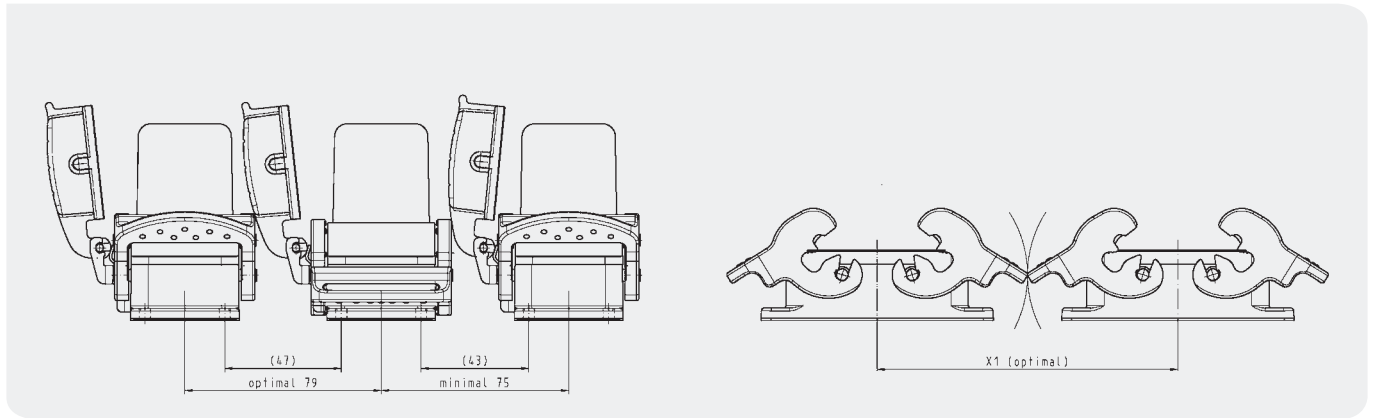
Size		6	6H	10	10H	16	24	48
Installation spacing	L3	70	70	82	82	105	132	111
	L4	40	45	40	45	45	45	106
	d1	5.3	5.5	5.3	5.5	5.3	5.3	6.5
	M	M5	M5	M5	M5	M5	M5	M6



INSTALLATION SPACING + MOUNTING DIMENSIONS REVOS BASIC

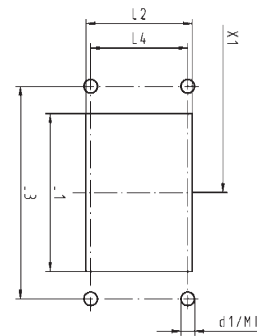
Open-bottom bases, double locking lever

MINIMUM INSTALLATION SPACING FOR SIZE 10 TO 24



MOUNTING DIAGRAM FOR SIZE 10 TO 32

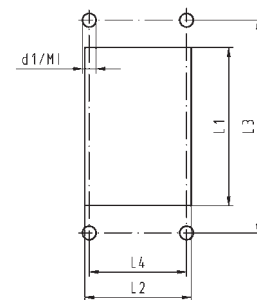
Size		10	16	24	32
Cut-out	L1	65	85.5	112	86
	L2	35	35	35	71
Installation spacing	L3	83	103	130	110
	L4	32	32	32	65
Minimum mounting spacing	X1	121	139	166	
	d1	4.3	4.3	4.3	5.5
	M1	M4	M4	M4	M5



Closed-bottom bases, double locking lever

MOUNTING DIAGRAM FOR SIZE 10 TO 24

Size		10	10H	16	24
Installation spacing	L3	82	82	105	132
	L4	40	45	45	45
	d1	5.5	5.5	5.5	5.5
	M1	M5	M5	M5	M5

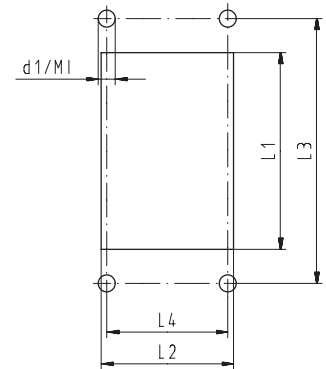


CUT-OUTS + MOUNTING DIMENSIONS

revos EMC - open-bottom bases

CUT-OUT AND MOUNTING DIMENSIONS FOR SIZE 6 TO 24

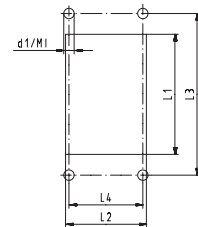
Size		6	10	16	24
Cut-out	L1	52	65	85.5	112
	L2	35	35	35	35
	L3	70	83	103	130
Installation spacing	L4	32	32	32	32
	d1	4.3	4.3	4.3	4.3
	M1	M4	M4	M4	M4



revos HD - open-bottom bases

MOUNTING DIAGRAM FOR SIZE 10/15, 16/25 AND 32/50

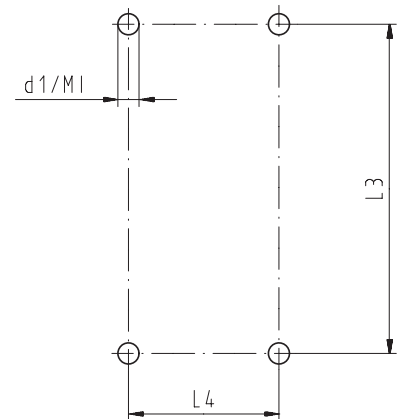
Size		10/15	16/25	32/50
Cut-out	L1	56	72	82
	L2	23	23	49
	L3	70	86	92
Installation spacing	L4	17.5	17.5	42
	d1	3,3	3,3	4.3
	M1	M3	M3	M4



revos HD - closed-bottom bases

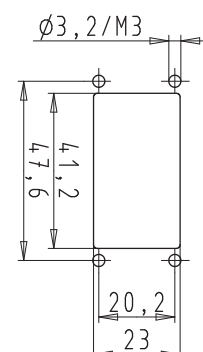
MOUNTING DIAGRAM FOR SIZE 10/15, 16/25 AND 32/50

Size		10/15	16/25	32/50
Installation spacing	L3	48	64	94
	L4	40	40	46
	d1	4.3	4.3	4.3
	M1	M4	M4	M4



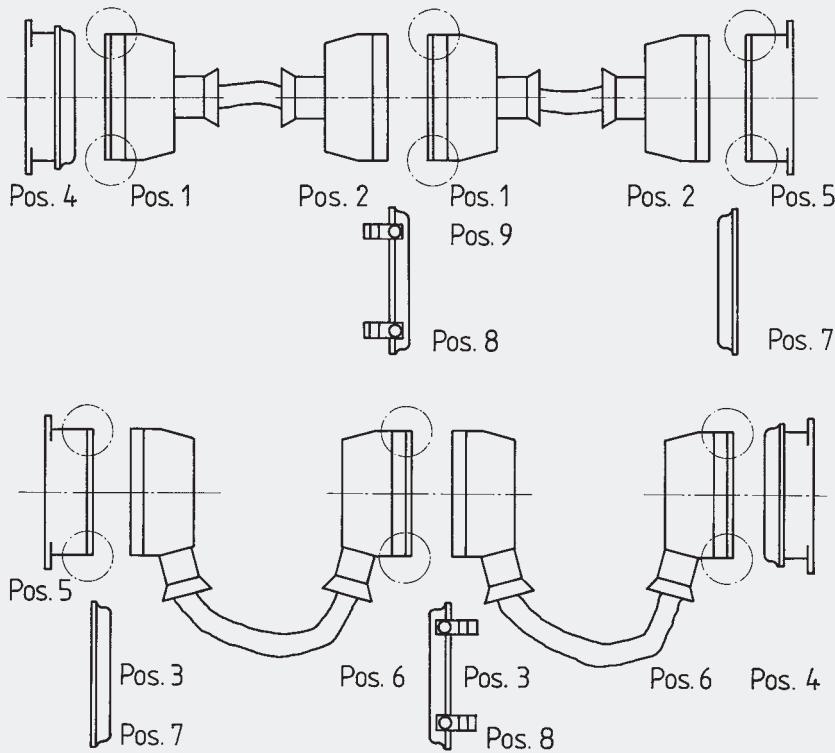
revos FLEX COMPACT 1 M

CUT-OUT



INSTALLATION EXAMPLE FOR REVOS

Multipole hoods for cable-to-cable couplings



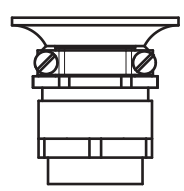
Size	Thread	Hood Pos. 1	Hood Pos. 2	Hood Pos. 3	Bottom-base Pos. 4	Bottom-base Pos. 5	Hood Pos. 6
6	M20	99.741.3329.7	70.352.0636.4 *	70.350.0636.4 *	99.700.3329.7	70.320.0628.9	99.731.3329.7
	M25	99.742.3329.7	70.354.0636.4 *	70.353.0636.4 *	-	-	99.732.3329.7
10	M20	99.743.3329.7	70.352.1036.4 *	70.350.1036.4 *	99.706.3329.7	70.320.1028.9	99.733.3329.7
	M25	99.744.3329.7	70.354.1036.4 *	70.353.1036.4 *	-	-	99.734.3329.7
16	M25	99.745.3329.7	70.352.1636.4 *	70.350.1636.4 *	99.702.3329.7	70.320.1628.9	99.735.3329.7
	M32	99.746.3329.7	70.354.1636.4 *	70.353.1636.4 *	-	-	99.736.3329.7
24	M25	99.747.3329.7	70.352.2436.4 *	70.350.2436.4 *	99.704.3329.7	70.320.2428.9	99.737.3329.7
	M32	99.748.3329.7	70.354.2436.4 *	70.353.2436.4 *	-	-	99.738.3329.7
48	M32	70.372.4836.4	70.375.4836.4 *	70.350.4828.4 *	-	70.320.4828.9	-
	M40	70.374.4836.4	70.376.4836.4	70.353.4828.4	-	-	-

NOTE

Handling instructions for the connectors are available in section on page 320.

Trumpet gland

. 3



* These hoods are also available in the version 70.3xx.xxxx.3 with a trumpet gland



CRIMPING TOOL



Description	Type	Part No.	P.U.
Tool			
Crimping tool in the case		95.101.0800.0	
Crimping die	"A"	05.502.2000.0	1
Crimping die	"B"	05.502.2100.0	1
Crimping die	"C"	05.502.2200.0	1
Crimping die	"D"	05.502.2300.0	1
Crimping die	"E"	05.502.2400.0	1
Crimping die	"F"	05.502.2600.0	1
Crimping die	"G"	05.502.4900.0	1
Crimping die	"H"	05.502.5000.0	1
Contact positioner	1	05.502.3100.0	1
Contact positioner	2	05.502.3200.0	1
Contact positioner	3	05.502.3300.0	1
Contact positioner	4	05.502.3800.0	1
Contact positioner	5	05.502.5100.0	1
Contact positioner	6	05.502.5200.0	1



Crimping die
"A"



Crimping die
"B"



Crimping die
"C"



Crimping die
"D"



Crimping die
"E"



Crimping die
"F"



Crimping die
"g"



Crimping die
"h"



Contact positioner
1



Contact positioner
2



Contact positioner
3



Contact positioner
4



Contact positioner
5



Contact positioner
6



ASSIGNMENT OF CONTACTS TO APPROPRIATE CRIMPING TOOL

Part No.		Contact- Ø mm	Cross section		Surface	Stripping length mm	Crimping die	Contact positioner	Suitable for												Extraction tool		
Female	Male		mm ²	AWG					revos BASIC	revos MDT	revos MINI Q5 (5-pole)	revos MINI (7+8-pole stamped contacts)	revos MINI (7+8-pole turned contacts)	revos MINI Q12 (12-pole)	revos HD	revos FLEX (Modul 3-pole)	revos FLEX (Modul 4-pole)	revos FLEX (Modul 5-pole)	revos FLEX High-voltage-module	revos FLEX (Modul 10-pole)		revos FLEX RJ45	revos FLEX TWIN BUS
02.123.7001.0	05.543.7001.0	2.5	0.5	20	Au0.8	7	B	3	•	•	•												05.502.3500.0
02.123.7001.7	05.543.7001.7	2.5	0.5	20	Au2	7	B	3	•	•	•												05.502.3500.0
02.123.7002.0	05.543.7002.0	2.5	0.5	20	Ag	7	B	3	•	•	•												05.502.3500.0
02.123.7021.0	05.543.7021.0	2.5	0.5	20	Sn	7	B	3	•	•	•												05.502.3500.0
02.123.7101.0	05.543.7101.0	2.5	0.75-1.0	18	Au0.8	7	B	3	•	•	•												05.502.3500.0
02.123.7101.7	05.543.7101.7	2.5	0.75-1.0	18	Au2	7	B	3	•	•	•												05.502.3500.0
02.123.7102.0	05.543.7102.0	2.5	0.75-1.0	18	Ag	7	B	3	•	•	•												05.502.3500.0
02.123.7121.0	05.543.7121.0	2.5	0.75-1.0	18	Sn	7	B	3	•	•	•												05.502.3500.0
02.123.7201.0	05.543.7201.0	2.5	1.5	16	Au0.8	7	B	3	•	•	•												05.502.3500.0
02.123.7201.7	05.543.7201.7	2.5	1.5	16	Au2	7	B	3	•	•	•												05.502.3500.0
02.123.7202.0	05.543.7202.0	2.5	1.5	16	Ag	7	B	3	•	•	•												05.502.3500.0
02.123.7221.0	05.543.7221.0	2.5	1.5	16	Sn	7	B	3	•	•	•												05.502.3500.0
02.123.7301.0	05.543.7301.0	2.5	2.5	14	Au0.8	7	B	3	•	•	•												05.502.3500.0
02.123.7301.7	05.543.7301.7	2.5	2.5	14	Au2	7	B	3	•	•	•												05.502.3500.0
02.123.7302.0	05.543.7302.0	2.5	2.5	14	Ag	7	B	3	•	•	•												05.502.3500.0
02.123.7321.0	05.543.7321.0	2.5	2.5	14	Sn	7	B	3	•	•	•												05.502.3500.0
02.123.7401.0	05.543.7401.0	2.5	4	12	Au0.8	7	B	3	•	•	•												05.502.3500.0
02.123.7401.7	05.543.7401.7	2.5	4	12	Au2	7	B	3	•	•	•												05.502.3500.0
02.123.7402.0	05.543.7402.0	2.5	4	12	Ag	7	B	3	•	•	•												05.502.3500.0
02.123.7421.0	05.543.7421.0	2.5	4	12	Sn	7	B	3	•	•	•												05.502.3500.0
02.124.0929.0	05.544.0929.0	1.58	0.2-0.56	24-20	Sn	4	E	2						•									05.502.0000.0
02.124.1000.0	05.544.1000.0	1.58	0.75-1.50	18-16	Sn	4	E	2						•									05.502.0000.0
02.124.1029.0	05.544.1029.0	1.58	0.75-1.50	18-16	Sn	4	E	2						•									05.502.0000.0
02.124.1400.0	05.544.1400.0	1.58	0.5-1.50	20-16	Au	4	E	2						•									05.502.0000.0
02.124.1429.0	05.544.1429.0	1.58	0.5-1.50	20-16	Au	4	E	2						•									05.502.0000.0
02.125.2929.8	05.544.1829.8	3.6	1.5	16	Ag	10	B	-															05.502.0910.0
02.125.3029.8	05.544.1929.8	3.6	2.5	14	Ag	10	B	-															05.502.0910.0
02.125.3129.8	05.544.3129.8	3.6	4	12	Ag	10	D	1															05.502.0910.0
02.125.3229.8	05.544.3229.8	3.6	6	10	Ag	10	D	1															05.502.0910.0
02.125.3329.8	05.544.3329.8	3.6	10	8	Ag	10	D	1															05.502.0910.0
02.125.3429.8	05.544.3429.8	2.5	0.5-1.5	20-16	Ag	4	C	2															05.502.0610.0
02.125.3529.8	05.544.3529.8	2.5	1.5-2.5	16-14	Ag	4	C	2															05.502.0610.0
02.125.3629.7	05.544.3629.7	2.5	0.5	20	Au	8	B	1															05.502.0810.0
02.125.3629.8	05.544.3629.8	2.5	0.5	20	Ag	8	B	1															05.502.0810.0
02.125.3729.7	05.544.3729.7	2.5	0.75-1.0	18	Au	8	B	1															05.502.0810.0
02.125.3729.8	05.544.3729.8	2.5	0.75-1.0	18	Ag	8	B	1															05.502.0810.0
02.125.3829.8	05.544.3829.8	2.5	1.5	16	Ag	8	B	1															05.502.0810.0
02.125.3929.7	05.544.3929.7	2.5	2.5	14	Au	8	B	1															05.502.0810.0
02.125.3929.8	05.544.3929.8	2.5	2.5	14	Ag	8	B	1															05.502.0810.0
02.125.4029.8	05.544.4029.8	2.5	4	12	Ag	8	B	1															05.502.0810.0
02.125.4129.7	05.544.4129.7	1.6	0.14-0.37	26-22	Au	8	B	1															05.502.0710.0
02.125.4129.8	05.544.4129.8	1.6	0.14-0.37	26-22	Ag	8	B	1															05.502.0710.0
02.125.4229.7	05.544.4229.7	1.6	0.5	20	Au	8	B	1															05.502.0710.0
02.125.4229.8	05.544.4229.8	1.6	0.5	20	Ag	8	B	1															05.502.0710.0
02.125.4329.7	05.544.4329.7	1.6	0.75-1.0	18	Au	8	B	1															05.502.0710.0
02.125.4329.8	05.544.4329.8	1.6	0.75-1.0	18	Ag	8	B	1															05.502.0710.0
02.125.4429.7	05.544.4429.7	1.6	1.5	16	Au	8	B	1															05.502.0710.0
02.125.4429.8	05.544.4429.8	1.6	1.5	16	Ag	8	B	1															05.502.0710.0
02.125.4529.7	05.544.4529.7	1.6	2.5	14	Au	8	B	1															05.502.0710.0
02.125.4529.8	05.544.4529.8	1.6	2.5	14	Ag	8	B	1															05.502.0710.0
02.125.4629.7	05.544.4629.7	1	0.09-0.25	28-24	Au	3	A	4															05.502.0410.0
02.125.4729.7	05.544.4729.7	1	0.25-0.5	24-20	Au	3	A	4															05.502.0410.0
	05.543.9021.0	2.5	0.5	20	Sn	7	B	3															05.502.3500.0
	05.543.9121.0	2.5	0.75-1.0	18	Sn	7	B	3															05.502.3500.0
02.125.1121.0	05.544.5621.0	1.65	1.5	16	Ag	3	B	3															05.502.3500.0
Z7.280.4227.0		1.6			Ag	6	F																05.502.0710.0
Z7.280.4327.0		1.6			Ag																		05.502.0710.0

Suitable for


Part No.		Contact- Ø mm	Cross section		Surface	Stripping length mm	Crimping die	Contact positioner	Suitable for										Extraction tool
Female	Male		mm ²	AWG					revos POWER (12-/2-pole)	revos POWER (6-/36-pole)	revos POWER (8-/24-pole) ^{*2}	revos DD	revos MODULAR (3-pole)	revos MODULAR (4-pole)	revos MODULAR (8-pole)	revos MODULAR (20-pole)	revos MODULAR (12-pole)	revos MODULAR (17-pole)	
02.126.6700.8	05.545.9200.8	4.0	1.5	16	Ag	9	H	6	•	•								05.502.4400.0	
02.126.6800.8	05.545.9300.8	4.0	2.5	14	Ag	9	H	6	•	•								05.502.4400.0	
02.126.7000.8	05.545.9500.8	4.0	6	10	Ag	9.6	H/D ^{*1}	6	•	•								05.502.4400.0	
02.126.6100.8	05.545.8600.8	2.5	0.5	20	Ag	7.5	G	5		•		•	•					05.502.3500.0	
02.126.6200.8	05.545.8700.8	2.5	0.75	18	Ag	7.5	G	5		•		•	•					05.502.3500.0	
02.126.6300.8	05.545.8800.8	2.5	1.0	18	Ag	7.5	G	5		•		•	•					05.502.3500.0	
02.126.6400.8	05.545.8900.8	2.5	1.5	16	Ag	7.5	G	5		•		•	•					05.502.3500.0	
02.126.6500.8	05.545.9000.8	2.5	2.5	14	Ag	7.5	G	5		•		•	•					05.502.3500.0	
02.126.6600.8	05.545.9100.8	2.5	4.0	12	Ag	7.5	G	5		•		•	•					06.502.3500.0	
02.126.5400.8	05.545.7900.8	1.6	0.14-0.37	26-22	Ag	8	G	5	•	•			•	•	•			05.502.0710.0	
02.126.5500.8	05.545.8000.8	1.6	0.5	20	Ag	8	G	5	•	•			•	•	•			05.502.0710.0	
02.126.5600.8	05.545.8100.8	1.6	0.75	18	Ag	8	G	5	•	•			•	•	•			05.502.0710.0	
02.126.5700.8	05.545.8200.8	1.6	1.0	18	Ag	8	G	5	•	•			•	•	•			05.502.0710.0	
02.126.5800.8	05.545.8300.8	1.6	1.5	16	Ag	8	G	5	•	•			•	•	•			05.502.0710.0	
02.127.3121.8	05.546.6221.8	4.0	1.5	16	Ag	9.5	H	6									•	05.502.4400.0	
02.127.3221.8	05.546.6321.8	4.0	2.5	14	Ag	9.5	H	6									•	05.502.4400.0	
02.127.3221.8	05.546.6421.8	4.0	4	12	Ag	9.5	D	6									•	05.502.4400.0	
02.127.3421.8	05.546.6521.8	4.0	6	10	Ag	9.5	D	6									•	05.502.4400.0	
02.123.7001.0	05.543.7001.0	2.5	0.5	20	Au	7	B	3									•	05.502.3500.0	
02.123.7002.0	05.543.7002.0	2.5	0.5	20	Ag	7	B	3									•	05.502.3500.0	
02.123.7101.0	05.543.7101.0	2.5	0.75-1.0	18	Au	7	B	3									•	05.502.3500.0	
02.123.7102.0	05.543.7102.0	2.5	0.75-1.0	18	Ag	7	B	3									•	05.502.3500.0	
02.123.7201.0	05.543.7201.0	2.5	1.5	16	Au	7	B	3									•	05.502.3500.0	
02.123.7202.0	05.543.7202.0	2.5	1.5	16	Ag	7	B	3									•	05.502.3500.0	
02.123.7301.0	05.543.7301.0	2.5	2.5	14	Au	7	B	3									•	05.502.3500.0	
02.123.7302.0	05.543.7302.0	2.5	2.5	14	Ag	7	B	3									•	05.502.3500.0	
02.123.7401.0	05.543.7401.0	2.5	4	12	Au	7	B	3									•	05.502.3500.0	
02.123.7402.0	05.543.7402.0	2.5	4	12	Ag	7	B	3									•	05.502.3500.0	
02.125.4129.7	05.544.4129.7	1.6	0.14-0.37	26-22	Au	8	B	1		•						•	•	05.502.0710.0	
02.125.4129.8	05.544.4129.8	1.6	0.14-0.37	26-22	Ag	8	B	1		•						•	•	05.502.0710.0	
02.125.4229.7	05.544.4229.7	1.6	0.5	20	Au	8	B	1		•						•	•	05.502.0710.0	
02.125.4229.8	05.544.4229.8	1.6	0.5	20	Ag	8	B	1		•						•	•	05.502.0710.0	
02.125.4329.7	05.544.4329.7	1.6	0.75-1.0	18	Au	8	B	1		•						•	•	05.502.0710.0	
02.125.4329.8	05.544.4329.8	1.6	0.75-1.0	18	Ag	8	B	1		•						•	•	05.502.0710.0	
02.125.4429.7	05.544.4429.7	1.6	1.5	16	Au	8	B	1		•						•	•	05.502.0710.0	
02.125.4429.8	05.544.4429.8	1.6	1.5	16	Ag	8	B	1		•						•	•	05.502.0710.0	
02.125.4529.7	05.544.4529.7	1.6	2.5	14	Au	8	B	1		•						•	•	05.502.0710.0	
02.125.4529.8	05.544.4529.8	1.6	2.5	14	Ag	8	B	1		•						•	•	05.502.0710.0	

*1 = Crimping die H for the contact 02.126.7000.8 and crimping die D for the contact 05.545.9500.8

*2 = Crimping tool for the contact Ø 2.5 mm for which an insert revos POWER 8-/24-pole is the screwdriver 06.502.4900.0



DETAILED TABLE OF CONTENTS

				from page	
Introduction				6	
Product matrix				26	
revos	revos MINI	50 V – 690 V 10 A	3- to 12-pole	30	
Contact inserts page 28	revos BASIC	500V 16 A	6- to 48-pole, screw connection	36	
			6- to 48-pole, spring clamp connection	38	
			6- to 24-pole, double spring clamp connection	40	
			6- to 24-pole, push-in connection	42	
			6- to 48-pole, crimp connection	44	
			10- to 46-pole, crimp connection	46	
Multipole adapters	revos BASIC	500V 16 A	6- and 24-pole, multipole adapters, screw connection	48	
			6- and 24-pole, set of 2 components, single locking lever	50	
			10- to 24-pole, set of 2 components, double locking lever	52	
			6- to 24-pole, multipole adapters, spring clamp connection	54	
Contact inserts	revos BASIC	400/690V 16 A	3- to 16-pole, screw connection	56	
		690V 16 A	6- to 48-pole, screw connection	58	
		690V 16 A	6- to 24-pole, crimp connection	60	
		830V 16 A	3-pole, spring clamp connection	62	
	revos DD	250V 10 A	24- to 108-pole, crimp connection	64	
	revos HD	250V 10 A	10- to 32-pole, screw connection	66	
			15- to 64-pole, crimp connection	68	
	revos POWER	250V	400V – 690V 35 A	40- and 64-pole, multipole adapters, screw connection	72
			400/690V 82 A	6-pole + ground, screw connection	74
			690V 4x35A, 6x16A	4-pole + ground, screw connection	76
			400/690V 40 A + 230/400V 16 A	4-/6-pole + ground, screw connection	77
			400/690V 100 A + 400/690V 40 A + 230/400V 16 A	6-/6-pole + ground, screw connection	78
			690V 82 A + 400V 16 A	3-/3-/6-pole + ground, screw connection	79
			400V 80 A + 400V 16 A	4-/2-pole + ground, 690/400 V, screw connection	80
			690V 40 A + 250V 10 A	4-/8-pole + ground, screw connection	81
			690V 40 A + 160V 10 A	12-/2-pole + ground, crimp connection	82
230/400 V 16 A + 160 V 10 A			6-/36-pole + ground, crimp connection	84	
Multipole adapters	revos POWER	400 V and 690 V 35 A	8-/24-pole + ground, crimp connection	86	
			6-pole + ground, screw connection	88	
	revos IT		Data cable feed-through	90	
Contact inserts	revos 	90 V 16 A	3- to 20-pole, screw connection	92	
Modular pluggable connector system	revos FLEX	100 V – 5.5 kV	2- to 20-pole modular inserts	96	
			Pneumatic-, high-voltage-module	102	
			High-current module	104	
			Spring clamp-, USB-, Profibus-, RJ45 module	107	
			Module frame, accessories	112	
Connector	revos FLEX COMPACT	Size 1M	Housing series revos FLEX for one slot (module width)	118	
Modular pluggable connector system	revos MODULAR	690 V 40 A	Axial-Connection, 3-pole	122	
		250 V – 600 V	3- to 20-pole module inserts	124	
			Blank module	131	
			50 V 10 A	TWIN BUS HD, 4-pole + Shielded braid	132
		50 – 62.5/125 µm	SC Modul, 4-pole	133	
		50 V 1 A	RJ45-Module	134	
		50 V 5 A	D-Sub Module, 9-pole	136	
	Module frame	137			
	Housing series revos MODULAR for two slots	138			
Connector	revos MOT	690 V 16 A	10-pole, plastic connectors and contact inserts	140	
Connector	revos Q	250V – 500V 16 A	4/2- to 17-pole, plastic connectors and contact inserts	142	

			from page		
revos housings see from page 148	revos MINI revos BASIC	Size 6/6H	Hoods and Bases, metal and plastic	150	
			Hoods, single locking lever, 6	156	
		Size 10/10H	Bases, single locking lever, 6	160	
			Hoods, single locking lever	164	
			Bases, single locking lever	168	
			Hood, double locking lever	172	
			Bases, double locking lever	178	
			Size 16/16H	Hoods, single locking lever	182
		Bases, single locking lever		186	
		Hoods, double locking lever		190	
	Hoods, double locking lever, 16XL	197			
	Size 24/24H	Bases, double locking lever	198		
		Hoods, single locking lever	202		
		Bases, single locking lever	206		
		Hoods, double locking lever	210		
		Hoods, double locking lever, 24XL	217		
		Bases, double locking lever	218		
	revos BASIC M	Size 32	Hoods/Bases, double locking lever	222	
		Size 48	Hoods/Bases, single locking lever	224	
		Size 6 to 24	EMC hoods/bases, double locking lever	228	
		Size 10	Motor connector housing, single locking lever	230	
		Size 6	Hoods/Bases, single locking lever	232	
			Hoods/Bases, single locking lever	236	
			Hoods/Bases, single locking lever	240	
			Hoods/Bases, single locking lever	244	
		revos HD	Size 10/15	Hoods, single locking lever	248
				Bases, single locking lever	250
	Size 16/25		Hoods, single locking lever	252	
			Bases, single locking lever	254	
	Size 32/50		Hoods, double locking lever	256	
			Bases, double locking lever	260	
	revos Ex	Size 6Ex	Hoods, single locking lever	262	
Bases, single locking lever			264		
Size 10Ex		Hoods, double locking lever	266		
		Bases, double locking lever	268		
Size 16Ex		Hoods, double locking lever	270		
		Bases, double locking lever	272		
Size 24Ex	Hoods, double locking lever	274			
	Bases, double locking lever	276			
Size 48Ex	Hoods, single locking lever	278			
	Bases, single locking lever	280			
sets /4 components	revos BASIC	Size 6 to 24 / 500 V	Complete multipole connector sets (housing + contact inserts)	283	
revos Accessoires see from page 280	revos	mounting frame	Mounting frame size 6 to 24 for DIN rail mount	286	
		cover and reducer plates	Cover and reducer plates for control cabinet installation	288	
		coding accessories	Coding bolts, coding pins and female coding pieces	291	
		Docking frame	Docking frame, size 6 to 24	295	
		cable glands	Metal and plastic glands IP68	296	
			Metal glands IP54	297	
			Reduction pieces, expansion pieces and PG/metric adapter	298	
			Blind piece	299	
			revos BASIC	protective cover	Size 6 to 32 Protective cover with or without locking levers, IP65
		Size 6 to 24, protective cover, latchable			303
	revos MINI	protective cover	Protective cover with and without gasket, IP65	303	
	revos	tools	Crimping tool, insulation stripping tool, Screwdriver and Jumper bar	304	
	revos	marking accessories	Marking accessories and marking tag carriers	305	
	FACTS&DATA				308



INDEX

Part number | page

02.123.70xx.0	34	02.125.3629.8	98	02.125.4629.7	100
02.123.70xx.0	44	02.125.3629.8	103	02.125.4729.7	100
02.123.70xx.0	46	02.125.3729.8	98	02.126.5400.8	82
02.123.70xx.0	60	02.125.3729.8	103	02.126.5400.8	84
02.123.70xx.0	141	02.125.3829.8	98	02.126.5400.8	86
02.123.70xx.0	143	02.125.3829.8	103	02.126.5400.8	128
02.123.71xx.0	34	02.125.3929.8	98	02.126.5400.8	129
02.123.71xx.0	44	02.125.3929.8	103	02.126.5400.8	132
02.123.71xx.0	46	02.125.4029.8	98	02.126.5500.8	82
02.123.71xx.0	60	02.125.4029.8	103	02.126.5500.8	84
02.123.71xx.0	141	02.125.4129.x	32	02.126.5500.8	86
02.123.71xx.0	143	02.125.4129.x	35	02.126.5500.8	128
02.123.72xx.0	34	02.125.4129.x	64	02.126.5500.8	129
02.123.72xx.0	44	02.125.4129.x	99	02.126.5500.8	132
02.123.72xx.0	46	02.125.4129.x	109	02.126.5600.8	82
02.123.72xx.0	60	02.125.4129.x	110	02.126.5600.8	84
02.123.72xx.0	141	02.125.4129.x	110	02.126.5600.8	86
02.123.72xx.0	143	02.125.4129.x	142	02.126.5600.8	128
02.123.73xx.0	34	02.125.4129.x	144	02.126.5600.8	129
02.123.73xx.0	44	02.125.4229.x	32	02.126.5600.8	132
02.123.73xx.0	46	02.125.4229.x	35	02.126.5700.8	82
02.123.73xx.0	60	02.125.4229.x	64	02.126.5700.8	84
02.123.73xx.0	141	02.125.4229.x	99	02.126.5700.8	86
02.123.73xx.0	143	02.125.4229.x	109	02.126.5700.8	128
02.123.74xx.0	34	02.125.4229.x	110	02.126.5700.8	129
02.123.74xx.0	44	02.125.4229.x	110	02.126.5700.8	132
02.123.74xx.0	46	02.125.4229.x	142	02.126.5800.8	82
02.123.74xx.0	60	02.125.4229.x	144	02.126.5800.8	84
02.123.74xx.0	141	02.125.4329.x	32	02.126.5800.8	86
02.123.74xx.0	143	02.125.4329.x	35	02.126.5800.8	128
02.124.0929.0	31	02.125.4329.x	64	02.126.5800.8	129
02.124.0929.0	68	02.125.4329.x	99	02.126.5800.8	132
02.124.0929.0	70	02.125.4329.x	109	02.126.6100.8	86
02.124.1000.0	31	02.125.4329.x	110	02.126.6100.8	127
02.124.1000.0	68	02.125.4329.x	110	02.126.6100.8	130
02.124.1000.0	70	02.125.4329.x	142	02.126.6200.8	86
02.124.1029.0	31	02.125.4329.x	144	02.126.6200.8	127
02.124.1029.0	68	02.125.4429.x	32	02.126.6200.8	130
02.124.1029.0	70	02.125.4429.x	35	02.126.6300.8	86
02.124.1400.0	31	02.125.4429.x	64	02.126.6300.8	127
02.124.1400.0	68	02.125.4429.x	99	02.126.6300.8	130
02.124.1400.0	70	02.125.4429.x	109	02.126.6400.8	86
02.124.1429.0	31	02.125.4429.x	110	02.126.6400.8	127
02.124.1429.0	68	02.125.4429.x	110	02.126.6400.8	130
02.124.1429.0	70	02.125.4429.x	142	02.126.6500.8	86
02.125.2421.0	35	02.125.4429.x	144	02.126.6500.8	127
02.125.2421.0	99	02.125.4529.x	32	02.126.6500.8	130
02.125.2421.0	109	02.125.4529.x	35	02.126.6600.8	86
02.125.2929.8	96	02.125.4529.x	64	02.126.6600.8	127
02.125.3029.8	96	02.125.4529.x	99	02.126.6600.8	130
02.125.3129.8	96	02.125.4529.x	109	02.126.6700.8	82
02.125.3229.8	96	02.125.4529.x	110	02.126.6700.8	84
02.125.3329.8	96	02.125.4529.x	110	02.126.6700.8	124
02.125.3429.8	97	02.125.4529.x	142	02.126.6700.8	125
02.125.3529.8	97	02.125.4529.x	144	02.126.6800.8	82

INDEX

Part number | page

02.126.6800.8	84	04.841.4150.0	306	05.502.0710.0	110
02.126.6800.8	124	04.841.4250.0	306	05.502.0710.0	113
02.126.6800.8	125	04.841.4350.0	306	05.502.0710.0	128
02.126.7000.8	82	04.841.4450.0	306	05.502.0710.0	129
02.126.7000.8	84	04.841.4550.0	306	05.502.0710.0	132
02.126.7000.8	124	04.841.4650.0	306	05.502.0710.0	142
02.126.7000.8	125	04.841.4750.0	306	05.502.0710.0	144
02.126.7421.8	106	04.841.4850.0	307	05.502.0810.0	98
02.126.7521.8	106	04.841.4950.0	307	05.502.0810.0	103
02.126.7621.8	106	04.841.5050.0	307	05.502.0810.0	113
02.126.9721.8	105	04.841.5150.0	307	05.502.0910.0	96
02.127.1500.7	136	04.841.5250.0	307	05.502.0910.0	105
02.127.1500.8	136	04.841.5350.0	307	05.502.0910.0	113
02.127.3121.8	142	04.841.5450.0	307	05.502.1010.0	96
02.127.3221.8	142	04.841.5550.0	307	05.502.1010.0	97
02.127.3321.8	142	04.841.5650.0	307	05.502.1010.0	98
02.127.3421.8	142	04.841.5750.0	307	05.502.1010.0	99
04.241.1150.0	306	04.841.5850.0	307	05.502.1010.0	100
04.242.0850.0	305	04.841.5950.0	307	05.502.1010.0	103
04.242.0850.0	305	04.841.6050.0	307	05.502.1010.0	109
04.242.1553.0	305	04.841.6150.0	307	05.502.1010.0	113
04.242.1553.0	305	04.841.6250.0	307	05.502.2000.0	100
04.242.2853.0	305	04.841.6350.0	307	05.502.2000.0	326
04.242.6753.0	305	04.841.6450.0	307	05.502.2100.0	32
04.242.6753.0	305	04.841.6550.0	307	05.502.2100.0	34
04.841.1150.0	306	04.841.6650.0	307	05.502.2100.0	35
04.841.1250.0	306	04.841.6750.0	307	05.502.2100.0	44
04.841.1350.0	306	04.841.6850.0	307	05.502.2100.0	46
04.841.1450.0	306	04.841.6950.0	307	05.502.2100.0	60
04.841.1550.0	306	04.841.7050.0	307	05.502.2100.0	64
04.841.1650.0	306	04.841.7150.0	307	05.502.2100.0	96
04.841.1750.0	306	04.841.7250.0	307	05.502.2100.0	98
04.841.1850.0	306	04.841.7350.0	307	05.502.2100.0	99
04.841.1950.0	306	04.841.7450.0	307	05.502.2100.0	103
04.841.2050.0	306	04.841.7550.0	307	05.502.2100.0	109
04.841.2150.0	306	04.841.7650.0	307	05.502.2100.0	110
04.841.2250.0	306	04.841.7750.0	307	05.502.2100.0	141
04.841.2350.0	306	04.841.9050.0	307	05.502.2100.0	142
04.841.2450.0	306	04.841.9150.0	307	05.502.2100.0	143
04.841.2550.0	306	05.502.0000.0	31	05.502.2100.0	144
04.841.2650.0	306	05.502.0000.0	68	05.502.2100.0	326
04.841.2750.0	306	05.502.0000.0	70	05.502.2200.0	97
04.841.2850.0	306	05.502.0000.0	304	05.502.2200.0	326
04.841.2950.0	306	05.502.0410.0	100	05.502.2300.0	82
04.841.3050.0	306	05.502.0410.0	113	05.502.2300.0	84
04.841.3150.0	306	05.502.0610.0	97	05.502.2300.0	96
04.841.3250.0	306	05.502.0610.0	113	05.502.2300.0	124
04.841.3350.0	306	05.502.0710.0	32	05.502.2300.0	125
04.841.3450.0	306	05.502.0710.0	35	05.502.2300.0	142
04.841.3550.0	306	05.502.0710.0	64	05.502.2300.0	326
04.841.3650.0	306	05.502.0710.0	82	05.502.2400.0	31
04.841.3750.0	306	05.502.0710.0	84	05.502.2400.0	68
04.841.3850.0	306	05.502.0710.0	86	05.502.2400.0	70
04.841.3950.0	306	05.502.0710.0	99	05.502.2400.0	326
04.841.4050.0	306	05.502.0710.0	109	05.502.2600.0	326



INDEX

Part number | page

05.502.2800.0	81	05.502.4900.0	86	05.543.70xx.0	44
05.502.2800.0	105	05.502.4900.0	86	05.543.70xx.0	46
05.502.2800.0	106	05.502.4900.0	127	05.543.70xx.0	60
05.502.2900.0	81	05.502.4900.0	128	05.543.70xx.0	141
05.502.2900.0	105	05.502.4900.0	129	05.543.70xx.0	143
05.502.2900.0	106	05.502.4900.0	130	05.543.71xx.0	34
05.502.3000.0	136	05.502.4900.0	132	05.543.71xx.0	44
05.502.3100.0	32	05.502.4900.0	326	05.543.71xx.0	46
05.502.3100.0	35	05.502.5000.0	82	05.543.71xx.0	60
05.502.3100.0	64	05.502.5000.0	84	05.543.71xx.0	141
05.502.3100.0	96	05.502.5000.0	124	05.543.71xx.0	143
05.502.3100.0	98	05.502.5000.0	125	05.543.72xx.0	34
05.502.3100.0	99	05.502.5000.0	142	05.543.72xx.0	44
05.502.3100.0	103	05.502.5000.0	326	05.543.72xx.0	46
05.502.3100.0	109	05.502.5100.0	82	05.543.72xx.0	60
05.502.3100.0	110	05.502.5100.0	84	05.543.72xx.0	141
05.502.3100.0	142	05.502.5100.0	86	05.543.72xx.0	143
05.502.3100.0	143	05.502.5100.0	86	05.543.73xx.0	34
05.502.3100.0	144	05.502.5100.0	127	05.543.73xx.0	44
05.502.3100.0	326	05.502.5100.0	128	05.543.73xx.0	46
05.502.3200.0	31	05.502.5100.0	129	05.543.73xx.0	60
05.502.3200.0	68	05.502.5100.0	130	05.543.73xx.0	141
05.502.3200.0	70	05.502.5100.0	132	05.543.73xx.0	143
05.502.3200.0	97	05.502.5100.0	326	05.543.74xx.0	34
05.502.3200.0	326	05.502.5200.0	82	05.543.74xx.0	44
05.502.3300.0	34	05.502.5200.0	84	05.543.74xx.0	46
05.502.3300.0	44	05.502.5200.0	124	05.543.74xx.0	60
05.502.3300.0	46	05.502.5200.0	125	05.543.74xx.0	141
05.502.3300.0	60	05.502.5200.0	142	05.543.74xx.0	143
05.502.3300.0	141	05.502.5200.0	326	05.543.9021.0	60
05.502.3300.0	326	05.502.5300.0	105	05.543.9121.0	60
05.502.3500.0	34	05.507.4021.0	299	05.544.0929.0	31
05.502.3500.0	44	05.507.4053.0	299	05.544.0929.0	68
05.502.3500.0	46	05.507.4121.0	299	05.544.0929.0	70
05.502.3500.0	60	05.507.4153.0	299	05.544.1000.0	31
05.502.3500.0	127	05.507.4221.0	299	05.544.1000.0	68
05.502.3500.0	130	05.507.4253.0	299	05.544.1000.0	70
05.502.3500.0	141	05.507.4321.0	299	05.544.1029.0	31
05.502.3500.0	143	05.507.4353.0	299	05.544.1029.0	68
05.502.3500.0	304	05.507.7621.0	298	05.544.1029.0	70
05.502.3800.0	100	05.507.7721.0	298	05.544.1400.0	31
05.502.3800.0	326	05.507.7821.0	298	05.544.1400.0	68
05.502.4400.0	82	05.507.8121.0	298	05.544.1400.0	70
05.502.4400.0	84	05.507.8221.0	298	05.544.1429.0	31
05.502.4400.0	124	05.507.8321.0	298	05.544.1429.0	68
05.502.4400.0	125	05.507.8421.0	298	05.544.1429.0	70
05.502.4400.0	142	05.507.8621.0	298	05.544.1829.8	96
05.502.4400.0	304	05.507.8721.0	298	05.544.1929.8	96
05.502.4500.0	122	05.507.8821.0	298	05.544.3129.8	96
05.502.4500.0	304	05.507.8921.0	298	05.544.3229.8	96
05.502.4600.0	106	05.507.9021.0	298	05.544.3329.8	96
05.502.4700.0	106	05.507.9121.0	298	05.544.3429.8	97
05.502.4800.0	106	05.507.9221.0	298	05.544.3529.8	97
05.502.4900.0	82	05.513.4212.0	291	05.544.3629.8	98
05.502.4900.0	84	05.543.70xx.0	34	05.544.3629.8	103

INDEX

Part number | page

05.544.3729.8	98	05.544.8121.0	35	05.545.9300.8	82
05.544.3729.8	103	05.544.8121.0	99	05.545.9300.8	84
05.544.3829.8	98	05.544.8121.0	109	05.545.9300.8	124
05.544.3829.8	103	05.545.7900.8	82	05.545.9300.8	125
05.544.3929.8	98	05.545.7900.8	84	05.545.9500.8	82
05.544.3929.8	103	05.545.7900.8	86	05.545.9500.8	84
05.544.4029.8	98	05.545.7900.8	128	05.545.9500.8	124
05.544.4029.8	103	05.545.7900.8	129	05.545.9500.8	125
05.544.4129.x	32	05.545.7900.8	132	05.546.2721.8	106
05.544.4129.x	35	05.545.8000.8	82	05.546.2821.8	106
05.544.4129.x	64	05.545.8000.8	84	05.546.2921.8	106
05.544.4129.x	99	05.545.8000.8	86	05.546.3021.8	105
05.544.4129.x	109	05.545.8000.8	128	05.546.4300.7	136
05.544.4129.x	110	05.545.8000.8	129	05.546.4300.8	136
05.544.4129.x	110	05.545.8000.8	132	05.546.6221.8	142
05.544.4129.x	142	05.545.8100.8	82	05.546.6321.8	142
05.544.4129.x	144	05.545.8100.8	84	05.546.6421.8	142
05.544.4229.x	32	05.545.8100.8	86	05.546.6521.8	142
05.544.4229.x	35	05.545.8100.8	128	05.562.3183.0	90
05.544.4229.x	64	05.545.8100.8	129	05.562.3283.0	90
05.544.4229.x	99	05.545.8100.8	132	05.562.6353.0	100
05.544.4229.x	109	05.545.8200.8	82	05.562.6453.0	100
05.544.4229.x	110	05.545.8200.8	84	05.567.5214.0	293
05.544.4229.x	110	05.545.8200.8	86	05.568.0353.0	35
05.544.4229.x	142	05.545.8200.8	128	05.568.0353.0	294
05.544.4229.x	144	05.545.8200.8	129	05.576.6612.0	293
05.544.4329.x	32	05.545.8200.8	132	05.576.6712.0	293
05.544.4329.x	35	05.545.8300.8	82	05.576.6912.0	293
05.544.4329.x	64	05.545.8300.8	84	05.576.8312.0	293
05.544.4329.x	99	05.545.8300.8	86	05.576.8412.0	293
05.544.4329.x	109	05.545.8300.8	128	05.576.8512.0	293
05.544.4329.x	110	05.545.8300.8	129	05.592.0621.0	291
05.544.4329.x	110	05.545.8300.8	132	06.502.4000.0	38
05.544.4329.x	142	05.545.8600.8	86	06.502.4000.0	40
05.544.4329.x	144	05.545.8600.8	127	06.502.4000.0	54
05.544.4429.x	35	05.545.8600.8	130	06.502.4000.0	62
05.544.4429.x	64	05.545.8700.8	86	06.502.4000.0	107
05.544.4429.x	99	05.545.8700.8	127	06.502.4000.0	126
05.544.4429.x	109	05.545.8700.8	130	06.502.4000.0	304
05.544.4429.x	110	05.545.8800.8	86	06.502.4900.0	86
05.544.4429.x	110	05.545.8800.8	127	06.502.5310.0	293
05.544.4429.x	142	05.545.8800.8	130	06.502.5410.0	293
05.544.4429.x	144	05.545.8900.8	86	06.502.5510.0	291
05.544.4449.x	32	05.545.8900.8	127	06.563.4556.0	143
05.544.4529.x	32	05.545.8900.8	130	06.600.6127.6	81
05.544.4529.x	35	05.545.9000.8	86	06.600.6127.6	105
05.544.4529.x	64	05.545.9000.8	127	06.600.6127.6	106
05.544.4529.x	99	05.545.9000.8	130	06.600.6227.6	81
05.544.4529.x	109	05.545.9100.8	86	06.600.6227.6	105
05.544.4529.x	110	05.545.9100.8	127	06.600.6227.6	106
05.544.4529.x	110	05.545.9100.8	130	07.409.7056.0	300
05.544.4529.x	142	05.545.9200.8	82	07.409.7156.0	300
05.544.4529.x	144	05.545.9200.8	84	07.409.7256.0	300
05.544.4629.7	100	05.545.9200.8	124	07.409.7356.0	300
05.544.4729.7	100	05.545.9200.8	125	07.416.6353.0	289



INDEX

Part number | page

07.416.6453.0	289	70.110.0653.3	48	70.310.4840.0	36
07.416.6553.0	289	70.110.0653.3	48	70.311.0640.0	36
07.416.6853.0	288	70.110.0653.4	48	70.311.1040.0	36
07.416.6953.0	288	70.110.0653.4	48	70.311.1640.0	36
07.416.7053.0	288	70.110.1053.3	48	70.311.2440.0	36
07.416.7153.0	288	70.110.1653.3	48	70.312.0640.0	36
07.417.6729.0	152	70.110.2453.3	48	70.312.1040.0	36
07.417.6729.0	153	70.110.2453.4	48	70.312.1640.0	36
07.417.6729.0	303	70.111.0653.0	54	70.312.2440.0	36
07.417.6753.0	150	70.111.1053.0	54	70.320.0628.0	160
07.417.6753.0	151	70.111.1653.0	54	70.320.0628.9	264
07.417.6753.0	303	70.111.2453.0	54	70.320.0638.0	229
07.417.6829.0	152	70.115.0653.3	48	70.320.1028.0	90
07.417.6829.0	153	70.115.0653.3	48	70.320.1028.0	178
07.417.6829.0	303	70.115.0653.4	48	70.320.1028.9	268
07.417.6853.0	150	70.115.0653.4	48	70.320.1038.0	229
07.417.6853.0	151	70.115.1053.3	48	70.320.1628.0	78
07.417.6853.0	303	70.115.1653.3	48	70.320.1628.0	88
07.428.5553.0	300	70.115.2453.3	48	70.320.1628.0	90
07.428.5653.0	300	70.115.2453.4	48	70.320.1628.0	198
07.428.5753.0	300	70.116.0653.0	54	70.320.1628.9	272
07.431.4580.0	118	70.116.1053.0	54	70.320.1638.0	229
07.431.4680.0	118	70.116.1653.0	54	70.320.2428.0	79
70.000.0653.0	88	70.116.2453.0	54	70.320.2428.0	90
70.005.0653.0	88	70.200.0653.0	74	70.320.2428.0	218
70.010.0653.0	88	70.210.0653.0	74	70.320.2428.9	276
70.015.0653.0	88	70.300.0602.0	36	70.320.2438.0	229
70.060.1028.0	90	70.300.0640.0	36	70.320.3228.0	223
70.060.1628.0	90	70.300.1002.0	36	70.320.4828.0	226
70.060.2428.0	90	70.300.1040.0	36	70.320.4828.9	280
70.061.2428.0	90	70.300.1602.0	36	70.325.0628.0	160
70.100.0653.3	48	70.300.1640.0	36	70.325.0628.9	264
70.100.0653.3	48	70.300.2402.0	36	70.325.1028.0	178
70.100.0653.4	48	70.300.2440.0	36	70.325.1028.9	268
70.100.0653.4	48	70.300.3202.0	36	70.325.1628.0	88
70.100.1053.3	48	70.300.3253.0	36	70.325.1628.0	198
70.100.1653.3	48	70.300.4840.0	36	70.325.1628.9	272
70.100.2453.3	48	70.301.0640.0	36	70.325.2428.0	218
70.100.2453.4	48	70.301.1040.0	36	70.325.2428.9	276
70.101.0653.0	54	70.301.1640.0	36	70.325.4828.0	226
70.101.1053.0	54	70.301.2440.0	36	70.325.4828.9	280
70.101.1653.0	54	70.302.0640.0	36	70.330.0635.0	160
70.101.2453.0	54	70.302.1040.0	36	70.330.0635.1	160
70.105.0653.3	48	70.302.1640.0	36	70.330.0636.0	264
70.105.0653.3	48	70.302.2440.0	36	70.330.1035.0	178
70.105.0653.4	48	70.310.0602.0	36	70.330.1035.1	178
70.105.0653.4	48	70.310.0640.0	36	70.330.1036.0	268
70.105.1053.3	48	70.310.1002.0	36	70.330.1635.0	198
70.105.1653.3	48	70.310.1040.0	36	70.330.1635.1	198
70.105.2453.3	48	70.310.1602.0	36	70.330.2435.0	218
70.105.2453.4	48	70.310.1640.0	36	70.330.2435.1	218
70.106.0653.0	54	70.310.2402.0	36	70.330.2436.0	276
70.106.1053.0	54	70.310.2440.0	36	70.331.0635.0	160
70.106.1653.0	54	70.310.3202.0	36	70.331.0635.1	160
70.106.2453.0	54	70.310.3253.0	36	70.331.0636.0	264

INDEX

Part number | page

70.331.1035.0	178	70.341.0635.1	160	70.350.2435.0	210
70.331.1035.1	178	70.341.0636.0	264	70.350.2435.1	210
70.331.1036.0	268	70.341.1035.0	178	70.350.2436.1	274
70.331.1635.0	198	70.341.1035.1	178	70.350.2436.3	274
70.331.1635.1	198	70.341.1036.0	268	70.350.3235.0	222
70.331.2435.0	218	70.341.1635.0	198	70.350.3235.1	222
70.331.2435.1	218	70.341.1635.1	198	70.350.4835.0	224
70.331.2436.0	276	70.341.2435.0	218	70.350.4835.1	224
70.331.4835.0	226	70.341.2435.1	218	70.350.4836.1	278
70.331.4835.1	226	70.341.2436.0	276	70.350.4836.3	278
70.331.4835.3	226	70.341.4835.1	226	70.352.0635.0	156
70.331.4836.3	280	70.341.4835.3	226	70.352.0635.0	156
70.332.0635.0	160	70.341.4836.3	280	70.352.0635.1	156
70.332.0635.1	160	70.342.0635.0	160	70.352.0635.1	156
70.333.0635.0	160	70.342.0635.1	160	70.352.0636.1	262
70.333.0635.1	160	70.342.0636.0	264	70.352.0636.3	262
70.333.0636.0	264	70.342.1035.0	178	70.352.1035.0	172
70.333.1035.0	178	70.342.1035.1	178	70.352.1035.0	174
70.333.1035.1	178	70.342.1635.0	198	70.352.1035.1	174
70.333.1036.0	268	70.342.1635.1	198	70.352.1036.1	266
70.333.1635.0	198	70.342.2435.0	218	70.352.1036.3	266
70.333.1635.1	198	70.342.2435.1	218	70.352.1635.0	190
70.333.2435.0	218	70.343.0635.0	160	70.352.1635.0	192
70.333.2435.1	218	70.343.0635.1	160	70.352.1635.1	190
70.333.2436.0	276	70.343.0636.0	264	70.352.1635.1	192
70.334.0635.0	160	70.343.1035.0	178	70.352.1636.1	270
70.334.0635.1	160	70.343.1035.1	178	70.352.1636.3	270
70.334.0636.0	264	70.343.1635.0	198	70.352.2435.0	210
70.334.1035.0	178	70.343.1635.1	198	70.352.2435.1	210
70.334.1035.1	178	70.343.2435.0	218	70.352.2436.1	274
70.334.1036.0	268	70.343.2435.1	218	70.352.2436.3	274
70.335.0635.0	160	70.343.2436.0	276	70.352.3235.0	222
70.335.0635.1	160	70.344.0636.0	264	70.352.3235.1	222
70.335.0636.0	264	70.344.1035.1	178	70.352.4835.0	224
70.335.1035.0	178	70.344.1036.0	268	70.352.4835.1	224
70.335.1035.1	178	70.344.4835.1	226	70.352.4836.3	278
70.335.1036.0	268	70.344.4836.4	280	70.353.0635.0	156
70.336.0635.0	160	70.345.0636.0	264	70.353.0635.1	156
70.336.0635.1	160	70.345.1036.0	268	70.353.0636.1	262
70.337.0635.0	160	70.346.0636.0	264	70.353.0636.3	262
70.337.0635.1	160	70.347.0636.0	264	70.353.0645.1	228
70.337.1035.1	178	70.347.1036.0	268	70.353.1035.0	172
70.337.1036.0	268	70.350.0635.0	156	70.353.1035.1	172
70.340.0635.0	160	70.350.0635.1	156	70.353.1036.1	266
70.340.0635.1	160	70.350.0636.1	262	70.353.1036.3	266
70.340.0636.0	264	70.350.0636.3	262	70.353.1045.1	228
70.340.1035.0	178	70.350.0645.1	228	70.353.1635.0	190
70.340.1035.1	178	70.350.1035.0	172	70.353.1635.1	190
70.340.1036.0	268	70.350.1035.1	172	70.353.1636.1	270
70.340.1635.0	198	70.350.1036.1	266	70.353.1636.3	270
70.340.1635.1	198	70.350.1036.3	266	70.353.1645.1	228
70.340.2435.0	218	70.350.1635.0	190	70.353.2435.0	210
70.340.2435.1	218	70.350.1635.1	190	70.353.2435.1	210
70.340.2436.0	276	70.350.1636.1	270	70.353.2436.1	274
70.341.0635.0	160	70.350.1636.3	270	70.353.2436.3	274



INDEX

Part number | page

70.353.2445.1	228	70.358.2435.1	212	70.500.3253.0	38
70.353.3235.1	222	70.358.2436.1	274	70.500.4853.0	38
70.353.4835.1	224	70.358.2436.3	274	70.502.0653.0	40
70.353.4836.1	278	70.359.1035.0	174	70.502.1053.0	40
70.354.0635.0	156	70.359.1035.1	174	70.502.1653.0	40
70.354.0635.1	156	70.359.1036.1	266	70.502.2453.0	40
70.354.0636.1	262	70.359.1036.3	266	70.506.0353.0	62
70.354.0636.3	262	70.359.1635.0	192	70.510.0653.0	38
70.354.1035.0	172	70.359.1635.1	192	70.510.1053.0	38
70.354.1035.1	172	70.359.1636.1	270	70.510.1653.0	38
70.354.1036.1	266	70.359.1636.3	270	70.510.2453.0	38
70.354.1036.3	266	70.359.2435.0	212	70.510.3253.0	38
70.354.1635.0	190	70.359.2435.1	212	70.510.4853.0	38
70.354.1635.1	190	70.359.2436.1	274	70.512.0653.0	40
70.354.1636.1	270	70.359.2436.3	274	70.512.1053.0	40
70.354.1636.3	270	70.372.0635.0	156	70.512.1653.0	40
70.354.2435.0	210	70.372.0635.1	156	70.512.2453.0	40
70.354.2435.0	212	70.372.1035.0	174	70.516.0353.0	62
70.354.2435.1	210	70.372.1035.1	174	70.700.0658.0	44
70.354.2435.1	212	70.372.1635.0	192	70.700.1058.0	44
70.354.2436.1	274	70.372.1635.1	192	70.700.1658.0	44
70.354.2436.3	274	70.374.2435.0	212	70.700.3253.0	44
70.354.3235.1	222	70.374.2435.1	212	70.700.4858.0	44
70.354.4835.1	224	70.400.0340.0	56	70.710.0658.0	44
70.354.4836.1	278	70.400.0640.0	56	70.710.1058.0	44
70.355.1035.0	174	70.400.1040.0	56	70.710.1658.0	44
70.355.1035.1	174	70.400.1640.0	56	70.710.2458.0	44
70.355.1036.1	266	70.405.0653.0	42	70.710.2458.0	44
70.355.1036.3	266	70.405.1053.0	42	70.710.3253.0	44
70.355.1635.0	192	70.405.1653.0	42	70.710.4858.0	44
70.355.1635.1	192	70.405.2453.0	42	70.800.1056.0	46
70.355.1636.1	270	70.410.0340.0	56	70.800.1856.0	46
70.355.1636.3	270	70.410.0640.0	56	70.800.3256.0	46
70.355.2435.0	212	70.410.1040.0	56	70.800.4656.0	46
70.355.2435.1	212	70.410.1640.0	56	70.810.1056.0	46
70.355.2436.1	274	70.415.0653.0	42	70.810.1856.0	46
70.355.2436.3	274	70.415.1053.0	42	70.810.3256.0	46
70.357.1035.0	174	70.415.1653.0	42	70.810.4656.0	46
70.357.1035.1	174	70.415.2453.0	42	70.940.0653.3	50
70.357.1036.3	266	70.420.0637.0	234	70.940.0653.4	50
70.357.1635.0	192	70.425.0637.0	234	70.940.1053.3	52
70.357.1635.1	192	70.430.0637.1	234	70.940.1053.4	52
70.357.1636.3	270	70.431.0637.1	234	70.940.1653.3	52
70.357.2435.0	212	70.435.0637.1	234	70.940.1653.4	52
70.357.2435.1	212	70.440.0637.1	234	70.940.2453.3	52
70.357.2436.1	274	70.441.0637.1	234	70.940.2453.4	52
70.357.2436.3	274	70.450.0637.1	232	70.945.1053.4	52
70.358.1035.0	174	70.452.0637.1	232	70.945.1653.3	52
70.358.1035.1	174	70.453.0637.1	232	70.945.1653.4	52
70.358.1036.3	266	70.454.0637.1	232	70.945.2453.3	52
70.358.1635.0	192	70.472.0637.1	232	70.945.2453.4	52
70.358.1635.1	192	70.500.0653.0	38	70.950.0653.3	50
70.358.1636.1	270	70.500.1053.0	38	70.950.0653.4	50
70.358.1636.3	270	70.500.1653.0	38	70.950.1053.3	52
70.358.2435.0	212	70.500.2453.0	38	70.950.1653.3	52

INDEX

Part number | page

70.950.1653.4	52	71.343.1635.1	186	71.440.2437.1	246
70.950.2453.3	52	71.343.2435.0	206	71.441.1037.1	238
70.950.2453.4	52	71.343.2435.1	206	71.441.1637.1	242
70.955.0653.3	50	71.350.1035.0	164	71.441.2437.1	246
70.955.1653.3	52	71.350.1035.1	164	71.442.1637.1	242
71.320.1028.0	168	71.350.1635.0	182	71.450.1037.1	236
71.320.1628.0	88	71.350.1635.1	182	71.450.1637.1	240
71.320.1628.0	186	71.350.2435.0	202	71.450.2437.1	244
71.320.2428.0	206	71.350.2435.1	202	71.452.1037.1	236
71.321.1028.0	230	71.352.1035.0	164	71.452.1637.1	240
71.325.1028.0	168	71.352.1035.0	164	71.452.2437.1	244
71.325.1628.0	88	71.352.1035.1	164	71.453.1637.1	240
71.325.1628.0	186	71.352.1035.1	164	71.472.1037.1	236
71.325.2428.0	206	71.352.1635.0	182	71.472.1637.1	240
71.330.1035.0	168	71.352.1635.0	182	71.472.2437.1	244
71.330.1035.1	168	71.352.1635.1	182	71.945.2453.3	50
71.330.1635.0	186	71.352.1635.1	182	71.945.2453.4	50
71.330.1635.1	186	71.352.2435.0	202	71.955.2453.4	50
71.330.2435.0	206	71.352.2435.0	202	72.000.0653.0	88
71.330.2435.1	206	71.352.2435.1	202	72.005.0653.0	88
71.331.1035.0	168	71.352.2435.1	202	72.010.0653.0	88
71.331.1035.1	168	71.353.1035.0	164	72.015.0653.0	88
71.331.1635.0	186	71.353.1035.1	164	72.200.0653.0	75
71.331.1635.1	186	71.353.1635.0	182	72.203.1253.0	79
71.331.2435.0	206	71.353.1635.1	182	72.205.0653.0	80
71.331.2435.1	206	71.353.2435.0	202	72.205.1053.0	77
71.333.1035.0	168	71.353.2435.1	202	72.205.1253.0	78
71.333.1035.1	168	71.354.1035.0	164	72.206.1253.0	81
71.333.1635.0	186	71.354.1035.1	164	72.208.0453.0	76
71.333.1635.1	186	71.354.1635.0	182	72.210.0653.0	75
71.333.2435.0	206	71.354.1635.1	182	72.213.1253.0	79
71.333.2435.1	206	71.354.2435.0	202	72.215.0653.0	80
71.335.1035.0	168	71.354.2435.0	202	72.215.1053.0	77
71.335.1035.1	168	71.354.2435.1	202	72.215.1253.0	78
71.340.1035.0	168	71.372.1035.0	164	72.216.1253.0	81
71.340.1035.1	168	71.372.1035.1	164	72.218.0453.0	76
71.340.1635.0	186	71.372.1635.0	182	72.250.1635.2	78
71.340.1635.1	186	71.372.1635.1	182	72.250.1635.2	197
71.340.2435.0	206	71.372.2435.0	202	72.250.2435.2	79
71.340.2435.1	206	71.372.2435.1	202	72.250.2435.2	217
71.341.1035.0	168	71.374.2435.0	202	72.300.0653.0	58
71.341.1035.1	168	71.420.1037.0	238	72.300.0653.9	92
71.341.1635.0	186	71.420.1637.0	242	72.300.1053.0	58
71.341.1635.1	186	71.420.2437.0	246	72.300.1053.9	92
71.341.2435.0	206	71.425.1037.0	238	72.300.1653.0	58
71.341.2435.1	206	71.425.1637.0	242	72.300.1653.9	92
71.342.1035.0	168	71.425.2437.0	246	72.300.2453.0	58
71.342.1035.1	168	71.430.1037.1	238	72.300.2453.9	92
71.342.1635.0	186	71.430.1637.1	242	72.300.3253.0	58
71.342.1635.1	186	71.430.2437.1	246	72.300.4853.0	58
71.342.2435.0	206	71.431.1037.1	238	72.300.4853.9	92
71.342.2435.1	206	71.431.1637.1	242	72.301.0653.9	92
71.343.1035.0	168	71.431.2437.1	246	72.301.1053.9	92
71.343.1035.1	168	71.440.1037.1	238	72.301.1653.9	92
71.343.1635.0	186	71.440.1637.1	242	72.301.2453.9	92



INDEX

Part number | page

72.310.0653.0	58	73.330.0635.0	162	73.341.4035.1	200
72.310.0653.9	92	73.330.0635.1	162	73.342.0635.0	162
72.310.1053.0	58	73.330.1035.0	180	73.342.0635.1	162
72.310.1053.9	92	73.330.1035.1	180	73.342.1035.1	180
72.310.1653.0	58	73.330.3235.0	260	73.342.3235.0	260
72.310.1653.9	92	73.330.3235.1	260	73.342.3235.1	260
72.310.2453.0	58	73.330.4035.0	200	73.342.4035.1	200
72.310.2453.9	92	73.330.4035.1	200	73.344.0635.1	162
72.310.3253.0	58	73.331.0635.0	162	73.344.1035.1	180
72.310.4853.0	58	73.331.0635.1	162	73.344.3235.1	260
72.310.4853.9	92	73.331.1035.0	180	73.344.4035.0	200
72.311.0653.9	92	73.331.1035.1	180	73.344.4035.1	200
72.311.1053.9	92	73.331.3235.0	260	73.344.6435.0	220
72.311.1653.9	92	73.331.3235.1	260	73.344.6435.1	220
72.311.2453.9	92	73.331.4035.0	200	73.345.0635.1	162
72.700.0658.0	60	73.331.4035.1	200	73.345.4035.0	200
72.700.1058.0	60	73.333.4035.0	200	73.345.4035.1	200
72.700.1658.0	60	73.333.4035.1	200	73.345.6435.0	220
72.700.2458.0	60	73.334.0635.0	162	73.345.6435.1	220
72.703.1453.0	82	73.334.0635.1	162	73.346.0635.1	162
72.703.3253.0	86	73.334.1035.0	180	73.346.3235.1	260
72.703.4253.0	84	73.334.1035.1	180	73.346.4035.0	200
72.710.0658.0	60	73.334.3235.1	260	73.346.4035.1	200
72.710.1058.0	60	73.334.4035.0	200	73.346.6435.1	220
72.710.1658.0	60	73.334.4035.1	200	73.347.4035.0	200
72.710.2458.0	60	73.334.6435.0	220	73.347.4035.1	200
72.713.1453.0	82	73.334.6435.1	220	73.347.6435.0	220
72.713.3253.0	86	73.335.0635.1	162	73.350.0635.0	158
72.713.4253.0	84	73.335.1035.0	180	73.350.0635.1	166
73.100.4053.0	72	73.335.1035.1	180	73.350.0635.1	158
73.100.6453.0	72	73.335.3235.0	260	73.350.0645.1	228
73.105.4053.0	72	73.335.3235.1	260	73.350.1035.0	176
73.105.6453.0	72	73.335.4035.0	200	73.350.1035.1	176
73.110.4053.0	72	73.335.4035.1	200	73.350.3235.0	256
73.110.6453.0	72	73.335.6435.0	220	73.350.3235.1	256
73.115.4053.0	72	73.335.6435.1	220	73.350.4035.0	194
73.115.6453.0	72	73.337.4035.0	200	73.350.4035.1	194
73.300.0353.0	30	73.337.4035.1	200	73.350.6435.0	214
73.300.0453.0	30	73.337.6435.0	220	73.350.6435.1	214
73.300.1053.0	66	73.337.6435.1	220	73.352.0635.0	158
73.300.1653.0	66	73.338.4035.1	200	73.352.0635.1	158
73.300.1653.3	66	73.338.6435.1	220	73.352.1035.0	176
73.300.3253.0	66	73.339.4035.1	200	73.352.1035.1	176
73.310.0353.0	30	73.339.6435.1	220	73.352.3235.0	256
73.310.0453.0	30	73.340.0635.0	162	73.352.3235.1	256
73.310.1053.0	66	73.340.0635.1	162	73.352.4035.0	194
73.310.1653.0	66	73.340.1035.0	180	73.352.4035.1	194
73.310.1653.3	66	73.340.1035.1	180	73.352.6435.0	214
73.310.3253.0	66	73.340.3235.1	260	73.352.6435.1	214
73.320.3228.0	260	73.340.4035.0	200	73.353.0635.0	158
73.325.3228.0	260	73.340.4035.1	200	73.353.0635.1	158
73.326.4028.0	72	73.341.0635.0	162	73.353.0645.1	228
73.326.6428.0	72	73.341.0635.1	162	73.353.1035.0	176
73.327.4028.0	72	73.341.1035.1	180	73.353.1035.1	176
73.327.6428.0	72	73.341.4035.0	200	73.353.1045.1	228

INDEX

Part number | page

73.353.3235.0	256	73.700.1253.0	35	76.331.1535.1	250
73.353.3235.1	256	73.700.1553.0	68	76.331.2535.0	254
73.353.4035.0	194	73.700.2553.0	68	76.331.2535.1	254
73.353.4035.1	194	73.700.4058.0	70	76.331.4035.0	188
73.353.4045.1	228	73.700.6458.0	70	76.331.4035.1	188
73.353.6435.0	214	73.705.0753.0	32	76.332.1535.1	250
73.353.6435.1	214	73.705.0853.0	32	76.334.1035.0	170
73.354.0635.0	158	73.710.0553.0	34	76.334.1035.1	170
73.354.0635.1	158	73.710.0753.0	31	76.334.1535.1	250
73.354.1035.0	176	73.710.0853.0	31	76.334.2535.0	254
73.354.1035.1	176	73.710.1253.0	35	76.334.2535.1	254
73.354.3235.0	256	73.710.1553.0	68	76.334.4035.1	188
73.354.3235.1	256	73.710.2553.0	68	76.334.6435.0	208
73.354.4035.0	194	73.710.4058.0	70	76.334.6435.1	208
73.354.4035.1	194	73.710.6458.0	70	76.335.1035.1	170
73.354.6435.0	214	73.715.0753.0	32	76.335.1535.0	250
73.354.6435.1	214	73.715.0853.0	32	76.335.1535.1	250
73.355.3235.0	258	73.800.0853.0	64	76.335.2535.0	254
73.355.3235.1	258	73.800.2453.0	64	76.335.2535.1	254
73.355.4035.1	196	73.800.4253.0	64	76.335.4035.0	188
73.355.6435.0	216	73.800.7253.0	64	76.335.4035.1	188
73.355.6435.1	216	73.810.0853.0	64	76.335.6435.0	208
73.357.4035.0	196	73.810.2453.0	64	76.335.6435.1	208
73.357.4035.1	196	73.810.4253.0	64	76.337.4035.1	188
73.357.6435.0	216	73.810.7253.0	64	76.337.6435.0	208
73.357.6435.1	216	75.012.0053.0	141	76.337.6435.1	208
73.358.3235.0	258	75.012.5053.0	141	76.338.6435.1	208
73.358.3235.1	258	75.013.0051.0	140	76.339.6435.1	208
73.358.4035.0	196	75.013.0051.2	140	76.340.1035.0	170
73.358.4035.1	196	75.013.5051.0	140	76.340.1035.1	170
73.358.6435.0	216	76.320.0729.0	153	76.340.4035.0	188
73.358.6435.1	216	76.320.0753.0	151	76.340.4035.1	188
73.359.3235.1	258	76.320.1528.0	250	76.341.1035.0	170
73.359.4035.0	196	76.320.2528.0	254	76.341.1035.1	170
73.359.4035.1	196	76.321.0729.0	153	76.341.4035.0	188
73.359.6435.0	216	76.321.0753.0	151	76.341.4035.1	188
73.359.6435.1	216	76.322.0736.0	153	76.342.1035.0	170
73.360.4035.0	194	76.322.0736.1	153	76.342.1035.1	170
73.360.4035.1	194	76.322.0760.5	151	76.343.4035.0	188
73.360.6435.0	214	76.325.2528.0	254	76.344.1035.0	170
73.360.6435.1	214	76.326.4028.0	72	76.344.1035.1	170
73.362.4035.1	194	76.326.6428.0	72	76.344.4035.0	188
73.362.6435.0	214	76.327.4028.0	72	76.344.4035.1	188
73.362.6435.1	214	76.327.6428.0	72	76.344.6435.0	208
73.365.6435.1	216	76.330.1035.0	170	76.344.6435.1	208
73.367.6435.0	216	76.330.1035.1	170	76.345.1035.1	170
73.372.3235.1	256	76.330.1535.0	250	76.345.4035.0	188
73.374.3235.0	256	76.330.1535.1	250	76.345.4035.1	188
73.374.3235.1	256	76.330.2535.0	254	76.345.6435.0	208
73.374.4035.1	194	76.330.2535.1	254	76.345.6435.1	208
73.374.6435.1	214	76.330.4035.0	188	76.346.1035.1	170
73.378.6435.1	214	76.330.4035.1	188	76.346.4035.0	188
73.700.0553.0	34	76.331.1035.0	170	76.346.4035.1	188
73.700.0753.0	31	76.331.1035.1	170	76.346.6435.0	208
73.700.0853.0	31	76.331.1535.0	250	76.346.6435.1	208



INDEX

Part number | page

76.347.4035.0	188	76.354.4035.0	184	76.854.0860.6	146
76.347.4035.1	188	76.354.4035.1	184	78.000.0653.0	112
76.347.6435.1	208	76.354.6435.0	204	78.000.1053.0	112
76.350.0736.0	152	76.354.6435.1	204	78.000.1653.0	112
76.350.0736.1	152	76.360.4035.0	184	78.000.2453.0	112
76.350.0760.1	150	76.360.4035.1	184	78.001.2053.0	100
76.350.0760.5	150	76.360.6435.1	204	78.002.1053.0	99
76.350.1035.1	166	76.362.0736.0	152	78.002.1053.1	99
76.350.1535.0	248	76.362.0736.1	152	78.002.4056.0	128
76.350.1535.2	248	76.362.0736.5	152	78.002.4156.0	129
76.350.2535.0	252	76.362.4035.1	184	78.003.0253.0	103
76.350.2535.2	252	76.362.6435.1	204	78.003.0453.0	97
76.350.4035.0	184	76.372.0736.0	152	78.003.0553.0	98
76.350.4035.1	184	76.372.0736.1	152	78.003.4056.0	127
76.350.6435.0	204	76.372.0760.1	150	78.003.4156.0	130
76.350.6435.1	204	76.372.0760.5	150	78.004.0253.0	105
76.352.0736.0	152	76.372.1535.0	248	78.004.0353.0	96
76.352.0736.1	152	76.372.1535.1	248	78.004.4056.0	124
76.352.0760.0	150	76.372.2535.0	252	78.004.4156.0	125
76.352.0760.1	150	76.372.2535.1	252	78.006.0253.0	106
76.352.0760.5	150	76.374.2535.0	252	78.009.0253.0	110
76.352.1035.0	166	76.374.4035.0	184	78.009.4056.0	132
76.352.1035.1	166	76.420.0736.0	155	78.010.0653.0	112
76.352.1035.1	172	76.422.0736.1	155	78.010.1053.0	112
76.352.1535.0	248	76.425.1528.0	250	78.010.1653.0	112
76.352.1535.0	248	76.425.2528.0	254	78.010.2453.0	112
76.352.1535.1	248	76.440.2535.1	254	78.011.2053.0	100
76.352.1535.1	248	76.441.1535.0	250	78.012.1053.0	99
76.352.2535.0	252	76.441.1535.1	250	78.012.1053.1	99
76.352.2535.0	252	76.441.2535.0	254	78.012.4056.0	128
76.352.2535.1	252	76.441.2535.1	254	78.012.4156.0	129
76.352.2535.1	252	76.442.1535.0	250	78.013.0253.0	103
76.352.4035.0	184	76.442.1535.1	250	78.013.0453.0	97
76.352.4035.1	184	76.442.2535.1	254	78.013.0553.0	98
76.352.6435.0	204	76.444.1535.0	250	78.013.4056.0	127
76.352.6435.1	204	76.444.1535.1	250	78.013.4156.0	130
76.353.1035.0	166	76.444.2535.0	254	78.014.0253.0	105
76.353.1035.1	166	76.444.2535.1	254	78.014.0353.0	96
76.353.1535.0	248	76.445.1535.0	250	78.014.4056.0	124
76.353.1535.1	248	76.445.2535.0	254	78.014.4156.0	125
76.353.1535.2	248	76.445.2535.1	254	78.016.0253.0	106
76.353.2535.0	252	76.446.2535.0	254	78.019.0253.0	110
76.353.2535.2	252	76.446.2535.1	254	78.019.4056.0	132
76.353.4035.0	184	76.452.0736.1	154	78.101.0453.0	108
76.353.4035.1	184	76.454.0736.1	154	78.105.4056.0	122
76.353.6435.0	204	76.800.0656.0	142	78.105.4156.0	122
76.353.6435.1	204	76.800.0856.0	143	78.106.0153.0	104
76.354.1035.0	166	76.800.1756.0	144	78.106.0253.0	104
76.354.1035.1	166	76.810.0656.0	142	78.111.0453.0	108
76.354.1535.0	248	76.810.0856.0	143	78.115.4056.0	122
76.354.1535.1	248	76.810.1756.0	144	78.115.4156.0	122
76.354.2535.0	252	76.820.0860.0	146	78.116.0153.0	104
76.354.2535.0	252	76.850.0853.5	146	78.116.0253.0	104
76.354.2535.1	252	76.854.0860.4	146	78.181.0453.0	108
76.354.4035.0	184	76.854.0860.5	146	78.191.0453.0	108

INDEX

Part number | page

78.200.4029.0	137	95.000.1000.0	106	99.702.0000.6	283
78.200.4129.0	137	95.101.0800.0	31	99.702.3329.7	272
78.200.4229.0	137	95.101.0800.0	32	99.703.0000.6	283
78.200.4329.0	137	95.101.0800.0	34	99.704.3329.7	276
78.203.0453.0	107	95.101.0800.0	35	99.706.0000.6	283
78.203.4056.0	126	95.101.0800.0	44	99.706.3329.7	268
78.210.4029.0	137	95.101.0800.0	46	99.707.0000.6	283
78.210.4129.0	137	95.101.0800.0	60	99.708.0000.6	283
78.210.4229.0	137	95.101.0800.0	64	99.709.0000.6	283
78.210.4329.0	137	95.101.0800.0	68	99.731.3329.7	262
78.213.0453.0	107	95.101.0800.0	70	99.732.3329.7	262
78.213.4056.0	126	95.101.0800.0	81	99.733.3329.7	266
78.320.0134.0	118	95.101.0800.0	82	99.734.3329.7	266
78.320.4235.0	138	95.101.0800.0	84	99.735.3329.7	270
78.330.0134.0	118	95.101.0800.0	86	99.736.3329.7	270
78.330.4235.0	138	95.101.0800.0	96	99.737.3329.7	274
78.340.4236.0	138	95.101.0800.0	97	99.738.3329.7	274
78.352.0134.1	118	95.101.0800.0	98	99.741.3329.7	262
78.352.0134.5	118	95.101.0800.0	99	99.742.3329.7	262
78.353.0134.1	118	95.101.0800.0	100	99.743.3329.7	266
78.353.0134.5	118	95.101.0800.0	103	99.744.3329.7	266
78.362.0134.1	118	95.101.0800.0	105	99.745.3329.7	270
78.362.0134.5	118	95.101.0800.0	106	99.746.3329.7	270
78.363.0134.1	118	95.101.0800.0	109	99.747.3329.7	274
78.363.0134.5	118	95.101.0800.0	110	99.748.3329.7	274
78.363.4235.1	138	95.101.0800.0	124	Z4.242.3753.0	305
78.364.4235.1	138	95.101.0800.0	125	Z4.242.4053.0	305
78.903.0153.0	102	95.101.0800.0	127	Z5.503.7221.0	118
78.903.0253.0	102	95.101.0800.0	128	Z5.503.7221.0	228
78.904.0153.0	102	95.101.0800.0	129	Z5.503.7221.0	296
78.904.0253.0	102	95.101.0800.0	130	Z5.503.7321.0	118
78.913.0153.0	102	95.101.0800.0	132	Z5.503.7321.0	228
78.913.0253.0	102	95.101.0800.0	141	Z5.503.7321.0	296
78.914.0153.0	102	95.101.0800.0	142	Z5.503.7421.0	228
78.914.0253.0	102	95.101.0800.0	143	Z5.503.7421.0	296
78.920.0453.0	109	95.101.0800.0	144	Z5.505.7121.0	118
78.920.4056.0	136	95.101.0800.0	304	Z5.505.7121.0	154
78.920.4156.0	134	95.101.0800.0	326	Z5.507.1321.0	118
78.920.4256.0	133	95.101.2000.0	35	Z5.507.1321.0	154
78.930.0453.0	109	95.101.2000.0	99	Z5.507.1321.0	156
78.930.4056.0	136	95.101.2000.0	109	Z5.507.1321.0	158
78.930.4156.0	134	95.101.2100.0	100	Z5.507.1321.0	160
78.930.4256.0	133	95.101.2100.0	113	Z5.507.1321.0	164
78.990.4056.0	131	95.101.2100.0	304	Z5.507.1321.0	166
78.990.4156.0	134	95.101.2200.0	100	Z5.507.1321.0	168
78.990.4256.0	133	95.101.2200.0	113	Z5.507.1321.0	172
78.999.4000.0	135	95.101.2200.0	304	Z5.507.1321.0	174
78.999.4100.0	135	95.101.2800.0	136	Z5.507.1321.0	176
78.999.4200.0	135	95.350.0100.0	304	Z5.507.1321.0	178
78.999.4300.0	135	99.000.0920.8	305	Z5.507.1321.0	232
78.999.4400.0	135	99.000.0920.8	305	Z5.507.1321.0	234
78.999.4500.0	135	99.005.0920.8	305	Z5.507.1321.0	236
78.999.4600.0	135	99.700.0000.6	283	Z5.507.1321.0	238
78.999.4700.0	135	99.700.3329.7	264	Z5.507.1321.0	248
95.000.1000.0	105	99.701.0000.6	283	Z5.507.1321.0	250



INDEX

Part number | page

Z5.507.1321.0	252	Z5.507.1521.0	232	Z5.507.1721.0	138
Z5.507.1321.0	254	Z5.507.1521.0	234	Z5.507.1721.0	158
Z5.507.1321.0	296	Z5.507.1521.0	240	Z5.507.1721.0	162
Z5.507.1353.0	156	Z5.507.1521.0	242	Z5.507.1721.0	166
Z5.507.1353.0	158	Z5.507.1521.0	244	Z5.507.1721.0	170
Z5.507.1353.0	160	Z5.507.1521.0	246	Z5.507.1721.0	176
Z5.507.1353.0	164	Z5.507.1521.0	248	Z5.507.1721.0	180
Z5.507.1353.0	166	Z5.507.1521.0	250	Z5.507.1721.0	182
Z5.507.1353.0	168	Z5.507.1521.0	252	Z5.507.1721.0	184
Z5.507.1353.0	172	Z5.507.1521.0	254	Z5.507.1721.0	188
Z5.507.1353.0	174	Z5.507.1521.0	256	Z5.507.1721.0	190
Z5.507.1353.0	176	Z5.507.1521.0	258	Z5.507.1721.0	192
Z5.507.1353.0	178	Z5.507.1521.0	296	Z5.507.1721.0	194
Z5.507.1353.0	248	Z5.507.1553.0	138	Z5.507.1721.0	196
Z5.507.1353.0	250	Z5.507.1553.0	156	Z5.507.1721.0	200
Z5.507.1353.0	252	Z5.507.1553.0	158	Z5.507.1721.0	202
Z5.507.1353.0	254	Z5.507.1553.0	160	Z5.507.1721.0	204
Z5.507.1353.0	296	Z5.507.1553.0	162	Z5.507.1721.0	208
Z5.507.1453.1	140	Z5.507.1553.0	164	Z5.507.1721.0	210
Z5.507.1521.0	118	Z5.507.1553.0	166	Z5.507.1721.0	212
Z5.507.1521.0	138	Z5.507.1553.0	168	Z5.507.1721.0	214
Z5.507.1521.0	154	Z5.507.1553.0	170	Z5.507.1721.0	216
Z5.507.1521.0	156	Z5.507.1553.0	172	Z5.507.1721.0	220
Z5.507.1521.0	158	Z5.507.1553.0	174	Z5.507.1721.0	222
Z5.507.1521.0	160	Z5.507.1553.0	176	Z5.507.1721.0	224
Z5.507.1521.0	162	Z5.507.1553.0	178	Z5.507.1721.0	226
Z5.507.1521.0	164	Z5.507.1553.0	180	Z5.507.1721.0	240
Z5.507.1521.0	166	Z5.507.1553.0	182	Z5.507.1721.0	256
Z5.507.1521.0	168	Z5.507.1553.0	184	Z5.507.1721.0	258
Z5.507.1521.0	170	Z5.507.1553.0	186	Z5.507.1721.0	296
Z5.507.1521.0	172	Z5.507.1553.0	188	Z5.507.1753.0	138
Z5.507.1521.0	174	Z5.507.1553.0	190	Z5.507.1753.0	158
Z5.507.1521.0	176	Z5.507.1553.0	192	Z5.507.1753.0	162
Z5.507.1521.0	178	Z5.507.1553.0	194	Z5.507.1753.0	166
Z5.507.1521.0	180	Z5.507.1553.0	196	Z5.507.1753.0	170
Z5.507.1521.0	182	Z5.507.1553.0	198	Z5.507.1753.0	176
Z5.507.1521.0	184	Z5.507.1553.0	200	Z5.507.1753.0	180
Z5.507.1521.0	186	Z5.507.1553.0	202	Z5.507.1753.0	182
Z5.507.1521.0	188	Z5.507.1553.0	204	Z5.507.1753.0	184
Z5.507.1521.0	190	Z5.507.1553.0	206	Z5.507.1753.0	188
Z5.507.1521.0	192	Z5.507.1553.0	208	Z5.507.1753.0	190
Z5.507.1521.0	194	Z5.507.1553.0	210	Z5.507.1753.0	192
Z5.507.1521.0	196	Z5.507.1553.0	212	Z5.507.1753.0	194
Z5.507.1521.0	198	Z5.507.1553.0	214	Z5.507.1753.0	196
Z5.507.1521.0	200	Z5.507.1553.0	216	Z5.507.1753.0	200
Z5.507.1521.0	202	Z5.507.1553.0	218	Z5.507.1753.0	202
Z5.507.1521.0	204	Z5.507.1553.0	220	Z5.507.1753.0	204
Z5.507.1521.0	206	Z5.507.1553.0	248	Z5.507.1753.0	208
Z5.507.1521.0	208	Z5.507.1553.0	250	Z5.507.1753.0	210
Z5.507.1521.0	210	Z5.507.1553.0	252	Z5.507.1753.0	212
Z5.507.1521.0	212	Z5.507.1553.0	254	Z5.507.1753.0	214
Z5.507.1521.0	214	Z5.507.1553.0	256	Z5.507.1753.0	216
Z5.507.1521.0	216	Z5.507.1553.0	258	Z5.507.1753.0	220
Z5.507.1521.0	218	Z5.507.1553.0	296	Z5.507.1753.0	222
Z5.507.1521.0	220	Z5.507.1553.1	140	Z5.507.1753.0	224

INDEX

Part number | page

Z5.507.1753.0	226	Z5.507.9721.0	184	Z7.409.7356.0	303
Z5.507.1753.0	256	Z5.507.9721.0	190	Z7.409.8756.0	300
Z5.507.1753.0	258	Z5.507.9721.0	192	Z7.409.8856.0	300
Z5.507.1753.0	296	Z5.507.9721.0	194	Z7.409.8956.0	300
Z5.507.1921.0	184	Z5.507.9721.0	196	Z7.416.1556.0	300
Z5.507.1921.0	194	Z5.507.9721.0	202	Z7.416.1656.0	300
Z5.507.1921.0	197	Z5.507.9721.0	204	Z7.416.1756.0	300
Z5.507.1921.0	200	Z5.507.9721.0	210	Z7.416.1856.0	300
Z5.507.1921.0	204	Z5.507.9721.0	212	Z7.419.6128.0	302
Z5.507.1921.0	208	Z5.507.9721.0	214	Z7.419.6228.0	302
Z5.507.1921.0	214	Z5.507.9721.0	216	Z7.427.8053.0	300
Z5.507.1921.0	216	Z5.507.9721.0	297	Z7.427.8153.0	300
Z5.507.1921.0	220	Z5.507.9821.0	158	Z7.427.8253.0	300
Z5.507.1921.0	222	Z5.507.9821.0	166	Z7.427.8353.0	300
Z5.507.1921.0	224	Z5.507.9821.0	176	Z7.428.1110.0	301
Z5.507.1921.0	226	Z5.507.9821.0	182	Z7.428.1119.0	301
Z5.507.1921.0	296	Z5.507.9821.0	184	Z7.428.1153.0	301
Z5.507.1953.0	184	Z5.507.9821.0	190	Z7.428.1210.0	301
Z5.507.1953.0	194	Z5.507.9821.0	192	Z7.428.1219.0	301
Z5.507.1953.0	197	Z5.507.9821.0	194	Z7.428.1253.0	301
Z5.507.1953.0	200	Z5.507.9821.0	196	Z7.428.1310.0	301
Z5.507.1953.0	204	Z5.507.9821.0	202	Z7.428.1319.0	301
Z5.507.1953.0	208	Z5.507.9821.0	204	Z7.428.1353.0	301
Z5.507.1953.0	214	Z5.507.9821.0	210	Z7.428.1410.0	301
Z5.507.1953.0	216	Z5.507.9821.0	212	Z7.428.1419.0	301
Z5.507.1953.0	220	Z5.507.9821.0	214	Z7.428.1453.0	301
Z5.507.1953.0	222	Z5.507.9821.0	216	Z7.428.1653.0	301
Z5.507.1953.0	224	Z5.507.9821.0	297	Z7.428.1753.0	301
Z5.507.1953.0	226	Z5.553.2921.0	42	Z7.428.1853.0	301
Z5.507.1953.0	296	Z5.560.1019.0	295	Z7.428.5553.0	301
Z5.507.2121.0	297	Z5.560.1119.0	295	Z7.428.5653.0	301
Z5.507.2221.0	297	Z5.560.1219.0	295	Z7.428.5753.0	301
Z5.507.2321.0	297	Z5.560.1319.0	295	Z7.429.0153.0	300
Z5.507.2421.0	297	Z5.566.5956.0	110	Z7.429.0253.0	300
Z5.507.5821.0	297	Z5.566.6056.0	110	Z7.429.0353.0	300
Z5.507.6021.0	297	Z5.574.0053.0	286	Z7.429.0453.0	300
Z5.507.6221.0	297	Z5.574.0153.0	286	Z7.429.0553.0	300
Z5.507.6421.0	297	Z5.574.0653.0	286	Z7.429.0653.0	300
Z5.507.9521.0	297	Z5.574.1053.0	286	Z7.429.0753.0	300
Z5.507.9621.0	156	Z5.574.1253.0	286	Z7.432.6136.0	155
Z5.507.9621.0	158	Z5.574.1653.0	286	Z7.432.6236.0	155
Z5.507.9621.0	164	Z5.574.2453.0	286		
Z5.507.9621.0	166	Z6.562.7356.0	132		
Z5.507.9621.0	172	Z6.562.7456.0	132		
Z5.507.9621.0	174	Z6.562.7521.0	132		
Z5.507.9621.0	176	Z7.256.0227.0	305		
Z5.507.9621.0	297	Z7.256.0327.0	305		
Z5.507.9721.0	156	Z7.256.0627.0	305		
Z5.507.9721.0	158	Z7.256.0827.0	305		
Z5.507.9721.0	164	Z7.256.1227.0	305		
Z5.507.9721.0	166	Z7.280.4227.0	35		
Z5.507.9721.0	172	Z7.280.4327.0	35		
Z5.507.9721.0	174	Z7.409.7056.0	303		
Z5.507.9721.0	176	Z7.409.7156.0	303		
Z5.507.9721.0	182	Z7.409.7256.0	303		



OUR SECTOR KNOWLEDGE

We have developed special industry knowledge in a wide variety of specialized fields. This forms the basis of our successful solutions.



Machine and system construction



Conveying technology



Renewable energy



Heating, ventilation and air conditioning systems

OUR SOLUTIONS RANGE

for machine building and plant engineering.



podis® – Power bus system installed safely and decentralized with high IP rating



RST® – Round connectors offer highest reliability with IP 69 rating



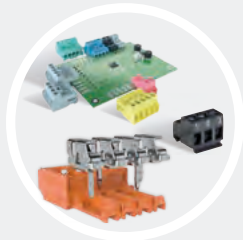
revos – Industrial connectors for reliable power and signal distribution



fasis + selos – Terminal blocks for the perfect fit in small spaces



Components and solutions for the safety of machines and plants



wiecon® – extensive portfolio of pluggable connectors for circuit boards



wipos power supply and wienet switches allow for an industrial network and data technology



wienet – Router and switches for a reliable communication all over the world



INFO TO GO

All brochures from Wieland Electric are available for download on our website.



<https://www.wieland-electric.com/en/support/downloads>

Interesting for you

<https://wie.li/industrial-connectors>



Wieland on YouTube
See our solutions in motion



<https://www.youtube.com/user/WielandElectric>



Technical consultation
Industry Solutions

Email: industry@wieland-electric.com

Worldwide: <https://wie.li/contactinternational>



ONLY ONE TAP AWAY

Our Wieland E-Shop
Over 25,000 products - anytime

In our online store you will find all the information about our products, prices, and technical data.

Order easily and conveniently online, and check availability.

<https://eshop.wieland-electric.com>

Scan QR code – view products in the E-SHOP.





wieland

HEADQUARTERS

Wieland Electric GmbH
Brennerstraße 10 – 14
96052 Bamberg · Germany

Phone +49 951 9324-0
Fax +49 951 9324-198
info@wieland-electric.com



0530.1 K 08/21

Represented in over 70 countries worldwide:

www.wieland-electric.com